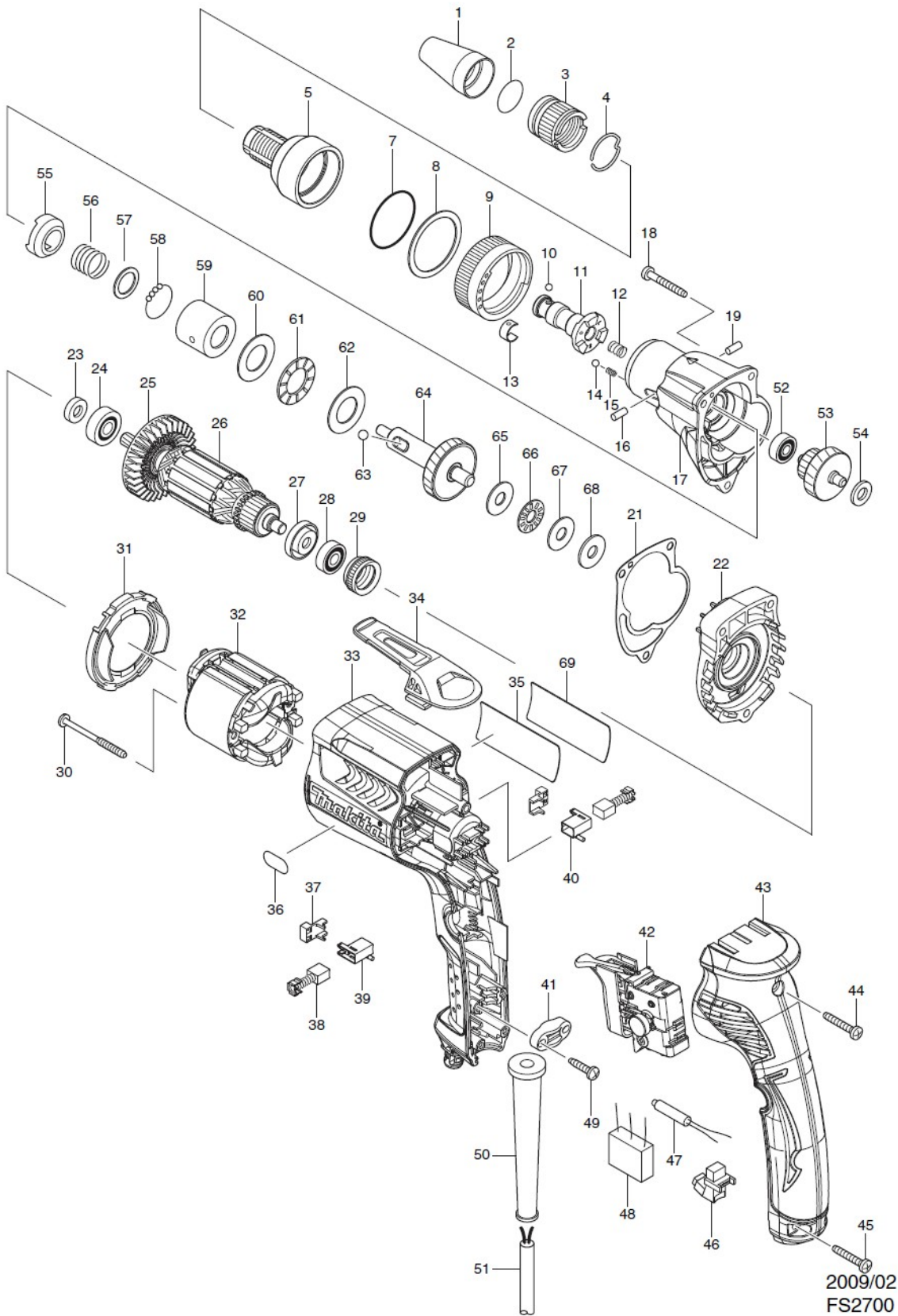


# Visseuse FS2700



2009/02  
FS2700

# Visseuse FS2700



Item	Parts_No.	Parts_Description	Qty	Unit
1	322120-3	FRONT CAP 12	1	PC.
2	213310-8	O RING 20	1	PC.
3	322073-6	ADJUST SLEEVE	1	PC.
4	231940-3	RING SPRING 22	1	PC.
5	168552-8	CLUTCH COVER A COMPLETE	1	PC.
5	313166-0	BRAKE RING	1	PC.
7	213343-3	O RING 35	1	PC.
8	253806-7	FLAT WASHER 36	1	PC.
9	152841-1	RING 36 COMPLETE	1	PC.
10	216001-0	STEEL BALL 3.5	1	PC.
11	325606-6	SPINDLE 270D	1	PC.
12	234095-3	COMPRESSION SPRING 6	1	PC.
13	232050-9	LEAF SPRING	1	PC.
14	216008-6	STEEL BALL 4	1	PC.
15	233314-4	COMPRESSION SPRING 4	1	PC.
16	268075-7	PIN 4	1	PC.
17	318387-9	GEAR HOUSING TC	1	PC.
18	266361-0	TAPPING SCREW 4X30	3	PC.
19	268075-7	PIN 4	1	PC.
21	442149-4	GASKET	1	PC.
22	158982-1	GEAR HOUSING COVER COMPLETE	1	PC.
23	451099-2	RING 7	1	PC.
24	210007-0	BALL BEARING 608VV	1	PC.
25	240083-0	FAN 52	1	PC.
26	515764-8	ARMATURE ASSEMBLY 240V	1	PC.
26		INC. 23-252728	0	
026A	515764-8	ARMATURE ASSEMBLY 240V	1	PC.
026A		INC. 23-252728	0	
27	681636-0	INSULATION WASHER	1	PC.
28	210062-2	BALL BEARING 607ZZ	1	PC.
29	421868-5	LABYRINTH RUBBER RING 19	1	PC.
30	266467-4	TAPPING SCREW 4X50	2	PC.
31	450880-8	BAFFLE PLATE	1	PC.
32	633693-4	FIELD 220-240V	1	PC.
33	450878-5	MOTOR HOUSING L	1	PC.
34	162272-6	HOOK	1	PC.
35	867048-3	FS2700 NAME PLATE	1	PC.
36	808574-3	INDICATION LABEL	1	PC.
37	689111-0	SPACER	2	PC.
38	191962-4	CARBON BRUSH CB-419	1	SET
39	643952-8	BRUSH HOLDER	1	PC.
40	643953-6	BRUSH HOLDER	1	PC.
41	687124-5	STRAIN RELIEF	1	PC.
42	650614-1	SWITCH	1	PC.
43	158878-6	HANDLE COVER L COMPLETE	1	PC.
43	263002-9	RUBBER PIN 4	2	PC.
44	266374-1	TAPPING SCREW 4X25	1	PC.
45	266374-1	TAPPING SCREW 4X25	2	PC.
46	631939-2	LIGHT CIRCUIT	1	PC.
47	646122-8	CHOKE COIL	1	PC.
48	645253-0	NOISE SUPPRESSOR	1	PC.
49	265995-6	TAPPING SCREW 4X18	2	PC.
50	682559-5	CORD GUARD 8	1	PC.
51	695034-2	POWER SUPPLY CORD 1.0-2-4.0	1	PC.
52	211012-0	BALL BEARING 606ZZ	1	PC.
53	226157-1	GEAR COMPLETE 17-39	1	PC.
54	267017-8	FLAT WASHER 8	1	PC.
55	223073-8	CLUTCH CAM	1	PC.

# Visseuse FS2700



56	231423-3	COMPRESSION SPRING 13.6	1	PC.
57	253837-6	FLAT WASHER 14	1	PC.
58	216014-1	STEEL BALL 3.2	16	PC.
59	324209-3	SLEEVE	1	PC.
60	216216-9	WASHER 1730	1	PC.
61	216423-4	THRUST NEEDLE CAGE 1730	1	PC.
62	216216-9	WASHER 1730	1	PC.
63	216011-7	STEEL BALL 5.6	3	PC.
64	158892-2	SPUR GEAR 35 COMPLETE	1	PC.
65	216212-7	WASHER 821	1	PC.
66	216415-3	THRUST NEEDLE GAUGE 821	1	PC.
67	216212-7	WASHER 821	1	PC.
68	261111-8	URETHANE WASHER 8	1	PC.
69	819349-5	CLEAR LABEL	1	PC.
069A	819349-5	CLEAR LABEL	1	PC.
A01	824890-5	PLASTIC CARRYING CASE	1	PC.
A01	163455-1	LATCH	2	PC.
A01	419360-3	HANDLE	1	PC.