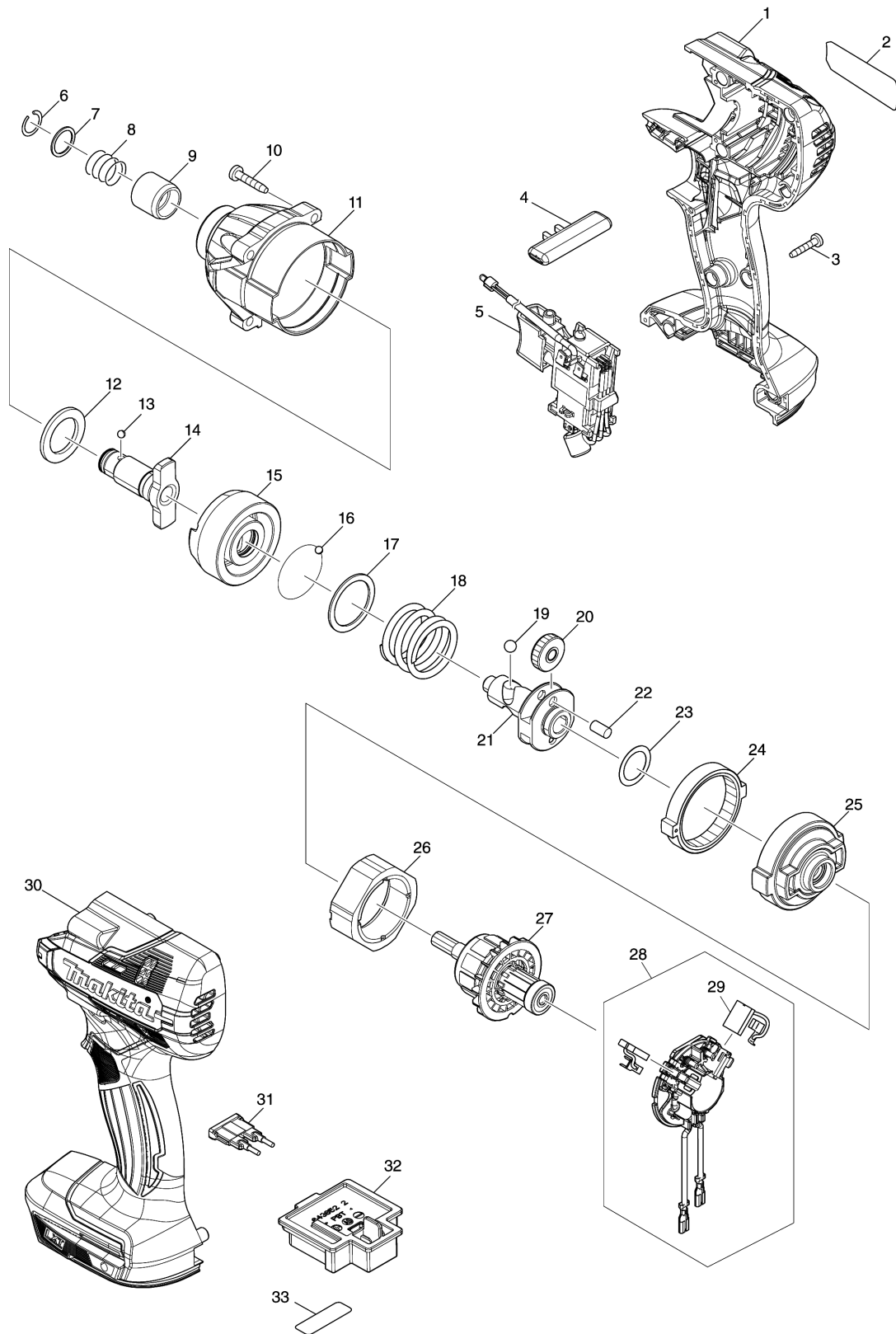


Model No.DTD156 CORDLESS IMPACT DRIVER



## Model No.DTD156 CORDLESS IMPACT DRIVER

Position	Référence pièce	Description	Echange	QTE	New/Old	Option 1	Option 2	COMMENTAIRE
001	183N31-9	HOUSING SET		1				
C10	252126-6	ECROU NYLSTOP HEX M4-7		2		65	P2	
C20	263005-3	CHEVILLE CAOUTCHOUC 6		2		65	P2	
D10		INC. 30						
002	856K77-7	DTD156 NAME PLATE		1				
003	266429-2	VIS 3x16		8		0	P1	
004	452399-3	LEVIER INVERSEUR		1		0	P1	
005	632P54-1	SWITCH UNIT		1				
C10	654207-6	RECEPTACLE		1				
C20	688164-6	PASSE-FIL		1		0	P1	
006	231951-8	RONDELLE ELASTIQUE 11		1		65	P2	
007	267085-1	RONDELLE PLATE 12		1		65	P2	
008	233005-7	RESSORT 13		1		65	P2	
009	324420-7	ANNEAU		1		55	P14	
010	266374-1	VIS 4X25		4		0	P1	
011	140N57-4	HAMMER CASE COMPLETE		1				
012	261151-6	RONDELLE NYLON 19		1		0	P1	
013	216040-0	BILLE ACIER 3,5		2			P1	
014	326188-1	ENCLUME		1		25	P11	
015	326644-1	HAMMER		1				
016	216040-0	BILLE ACIER 3,5		24			P1	
017	267175-0	RONDELLE 24		1		65	P2	
018	233430-2	RESSORT DE COMPRESSION 24		1		0	P3	
019	216041-8	BILLE ACIER 5,6		2			P1	
020	227362-3	PIGNON 22		2			P67	
021	326562-3	AXE		1			P12	
022	256253-1	AXE 5 6916D		2		0	P1	
023	253314-8	RONDELLE 15 (19617)		1		65	P2	
024	227279-0	PIGNON 51		1		0	P1	
025	144952-6	INTERNAL GEAR CASE		1				
026	638396-5	AIMANT PERMANENT		1		8	P18	
027	619553-4	ARMATURE		1				
028	632P59-1	BRUSH HOLDER COMPLETE		1				
C10	231696-8	RESSORT TORSION R		1		0	P1	
C20	231697-6	RESSORT TORSION L		1		0	P1	
D10		INC. 29						
029	198887-3	CARBON BRUSH CB-5		1				
030	183N31-9	HOUSING SET		1				
C10	252126-6	ECROU NYLSTOP HEX M4-7		2		65	P2	
C20	263005-3	CHEVILLE CAOUTCHOUC 6		2		65	P2	
D10		INC. 1						
031	632P58-3	FUSE UNIT		1				
032	643852-2	TERMINAL		1		1	P5	
033	856K82-4	DTD156 SERIAL NO. LABEL		1				

Please order the parts with part number.

Print Date 18/12/2019

## Model No.DTD156 CORDLESS IMPACT DRIVER

Position	Référence pièce	Description	Echange	QTE	New/Old	Option 1	Option 2	COMMENTAIRE
A01	346317-0	CROCHET		1		0	A3	
A02	266622-8	VIS M4X12		1		0	A1	

Please order the parts with part number.

Print Date 18/12/2019