



## LH7.20 ADJUSTABLE LEVELLER FOR TARGET J12

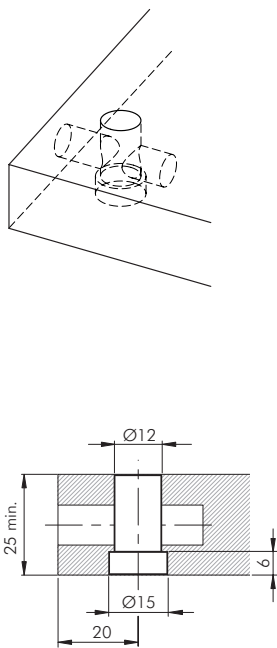


150 Kg per piece

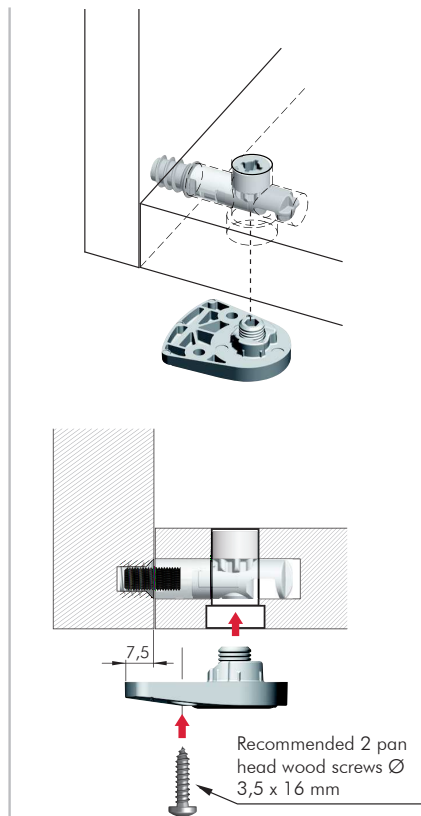


4

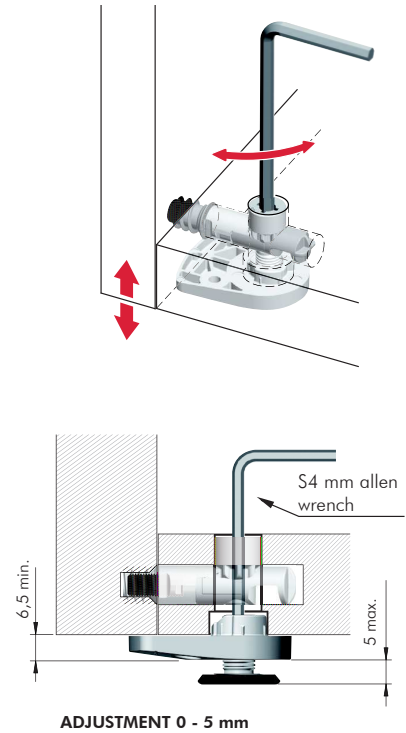
### DRILLING PLAN DETAIL



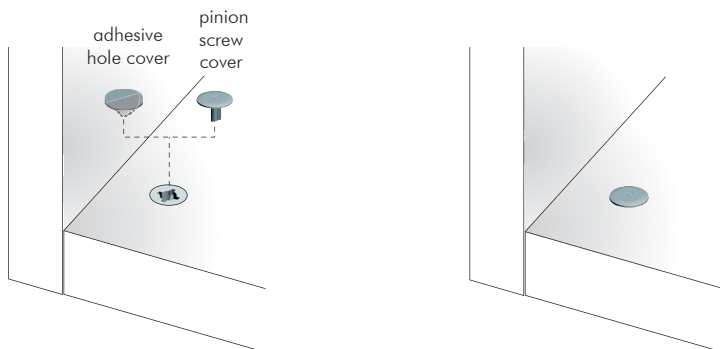
### INSTALLATION



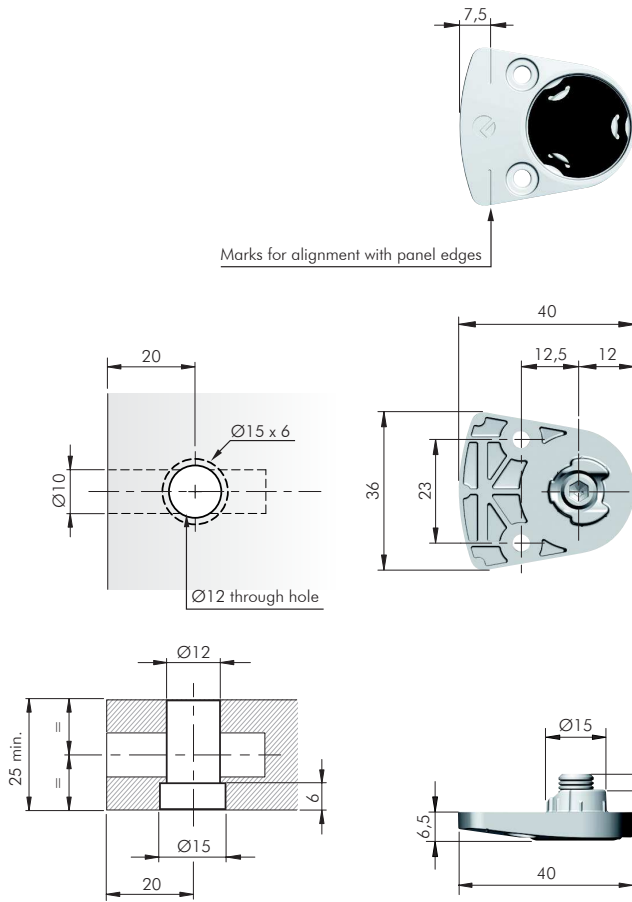
### ADJUSTMENT



### COVER CAP INSERTING

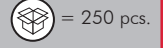


4



Marks for alignment with panel edges

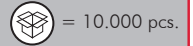
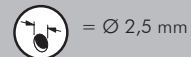
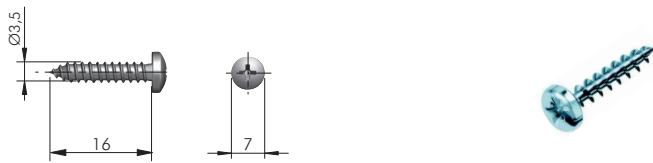
ADJUSTMENT 0 - 5 mm



21836200ZN

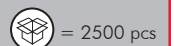


## LH7.20 LEVELLER ACCESSORY



60103140ZN

## TARGET J12 PINION SCREW COVER



21894000AB

21894000IJ

21894000EE