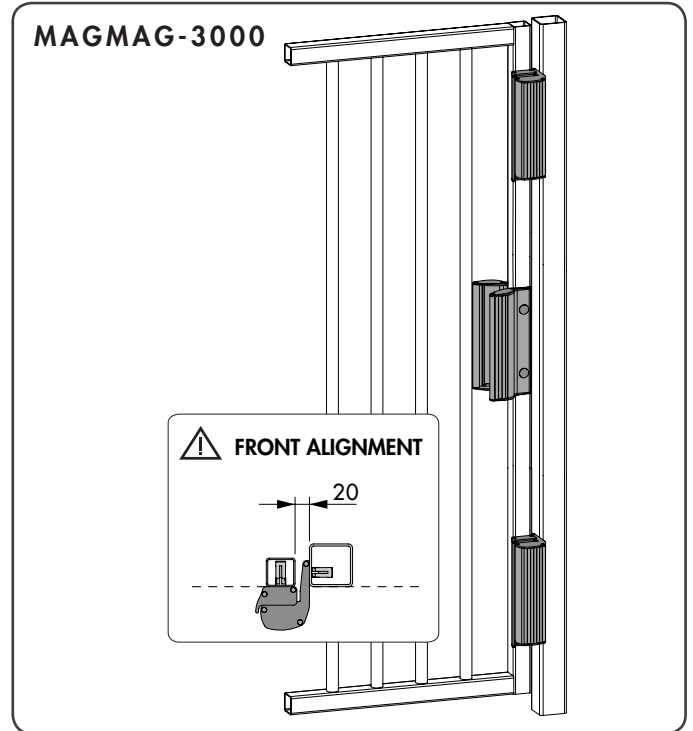
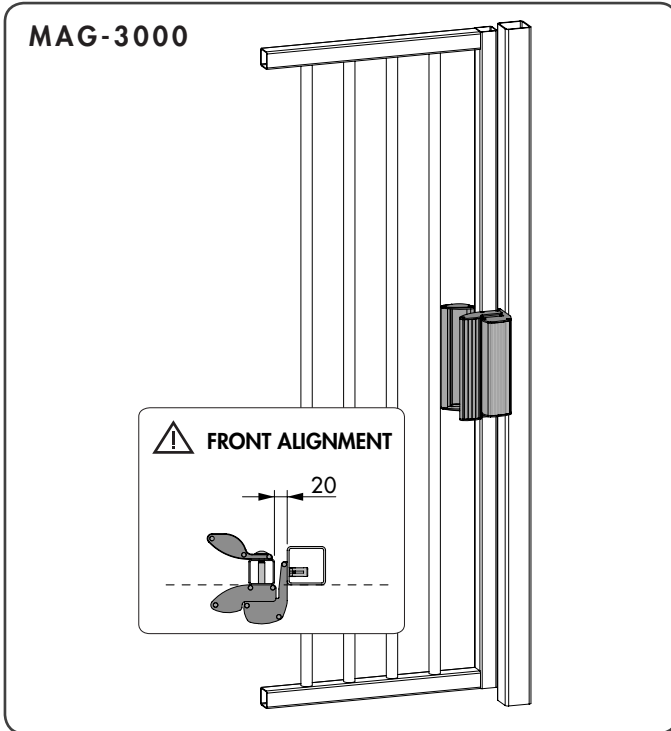
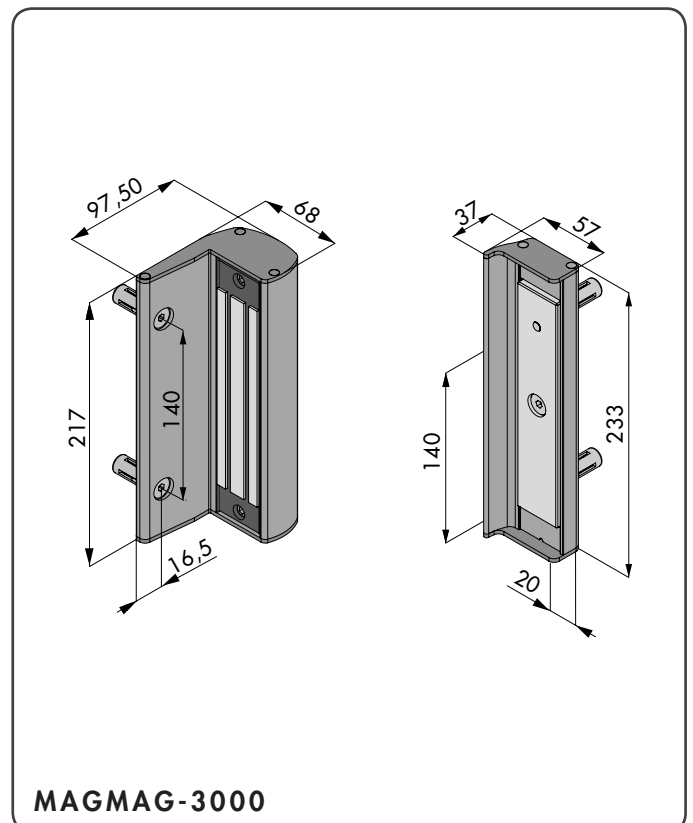
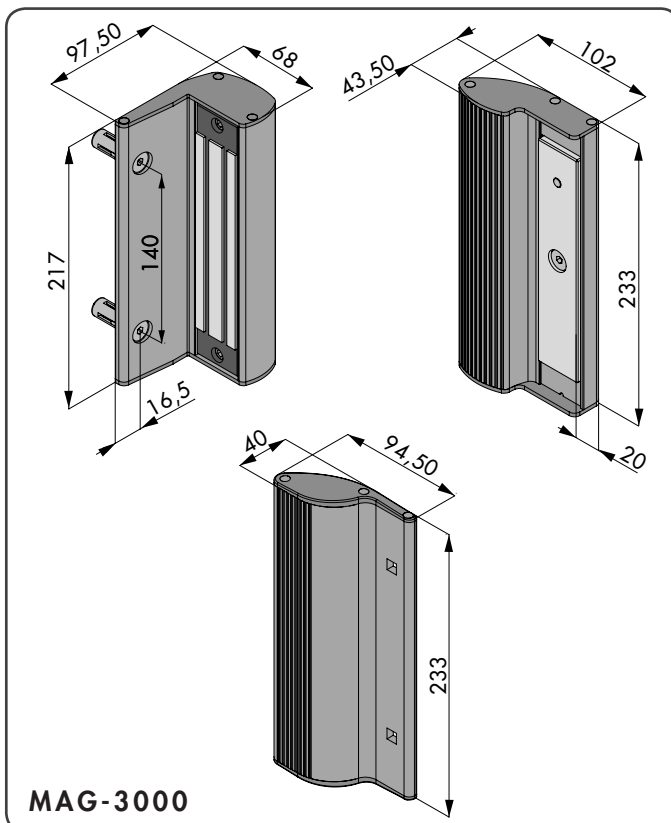


## MAG-3000 / MAGMAG-3000

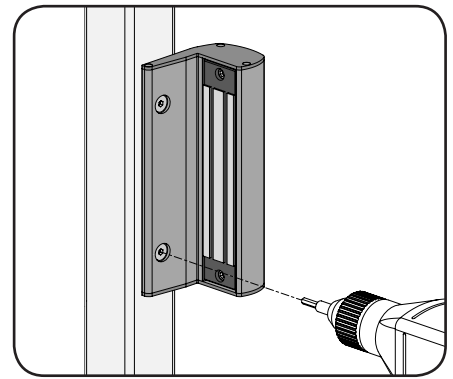
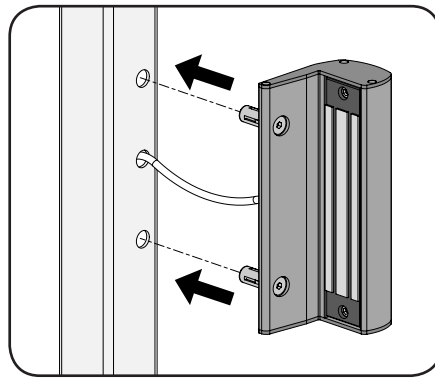
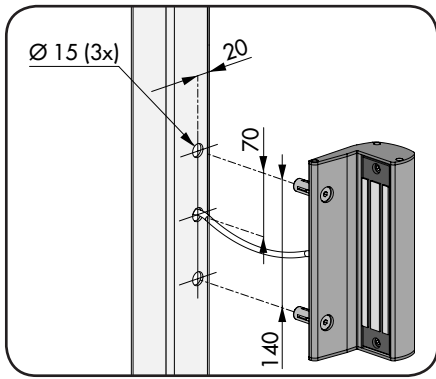
### ① OVERVIEW



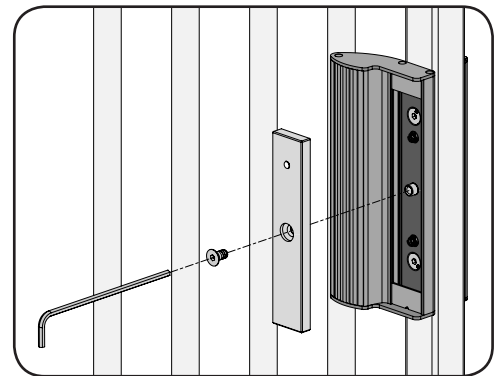
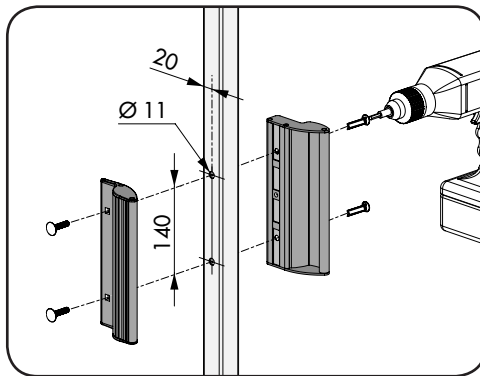
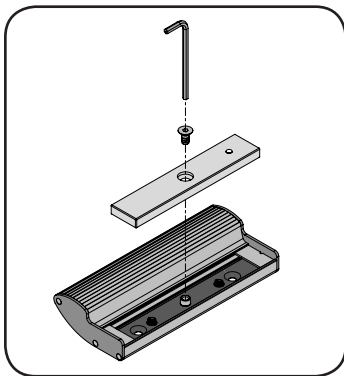
### ② PACKAGE CONTENT & DIMENSIONS



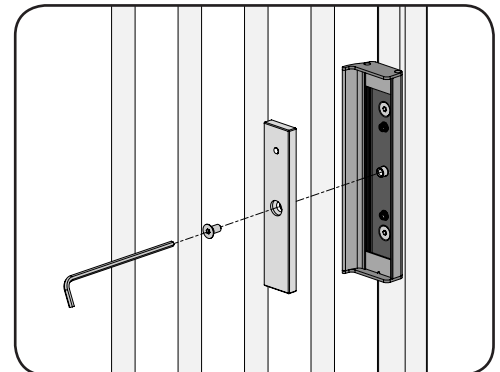
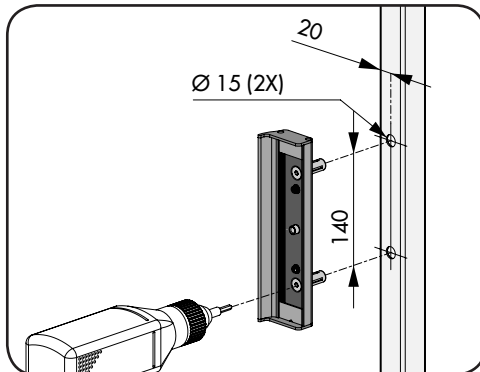
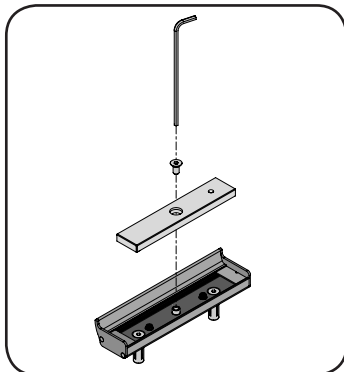
### ③ MAGNET POST PREPARATION AND MOUNTING



### ④a MAG-3000 GATE PREPARATION AND MOUNTING



### ④b MAGMAG-3000 GATE PREPARATION AND MOUNTING



### ⑤ 12 AND 24V DC - SITUATION

Voltage	12 V DC	Holding Force	300 Kg
Current	0,66 A		3000 N
Power	7,9 W		660 lbs

Voltage	24 V DC	Holding Force	300 Kg
Current	0,33 A		3000 N
Power	7,9 W		660 lbs

**LOCINOX**<sup>®</sup>  
WWW.LOCINOX.COM

Doc. Nr.: MANU-000414



\* M A N U - 0 0 0 4 1 4 \*

Locinox nv • Mannebeekstraat 21 • B-8790 Waregem • Belgium - Europe  
Tel. +32 (0)56 77 27 66 • Fax. +32 (0)56 77 69 26 • E-mail: locinox@locinox.com