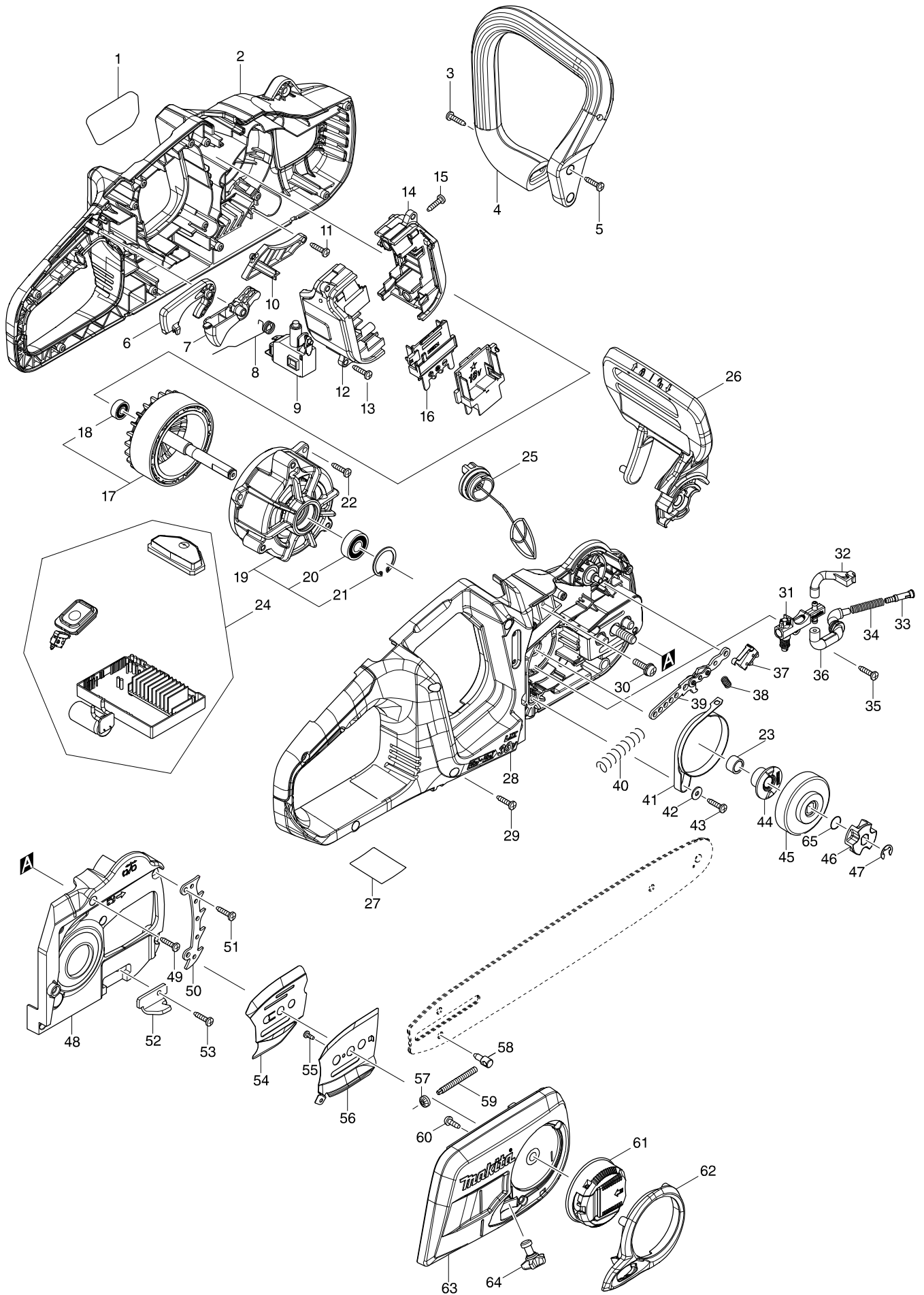


Numéro du modèle DUC353 350MM CORDLESS CHAIN SAWER



Position	Référence pièce	Description	Echar	QTE	N/O	Option 1	Option 2	COMMENTAIRE
001	810R17-1	DUC353 MODEL NO. LABEL		1				
002	183F61-2	HOUSING SET		1				
C10	812D15-7	CAUTION LABEL		1				
D10		INC. 28						
003	266326-2	TAPPING SCREW 4X18		2		P2		
004	457007-1	FRONT HANDLE		1				
005	266326-2	TAPPING SCREW 4X18		2		P2		
006	457013-6	CATCH LEVER		1				
007	457006-3	SWITCH LEVER		1				
008	232318-3	TORSION SPRING 10		1				
009	650781-2	SWITCH C3JW-6B-P		1				
010	457010-2	HOUSING L COVER		1				
011	266326-2	TAPPING SCREW 4X18		1		P2		
012	183F15-9	TERMINAL BOX SET		1				
C10	263005-3	RUBBER PIN 6		4		P2		
D10		INC. 14						
013	266326-2	TAPPING SCREW 4X18		4		P2		
014	183F15-9	TERMINAL BOX SET		1				
C10	263005-3	RUBBER PIN 6		4		P2		
D10		INC. 12						
015	266326-2	TAPPING SCREW 4X18		2		P2		
016	643874-2	TERMINAL		2				
017	519411-3	ROTOR ASS'Y		1				
D10		INC. 18						
018	210028-2	BALL BEARING 606ZZ		1		P2		
019	592H45-5	STATOR ASS'Y		1				
D10		INC. 20,21						
020	210059-1	BALL BEARING 6000DDW		1		P20		
021	962105-3	RETAINING RING R-26		1		P6		
022	266326-2	TAPPING SCREW 4X18		3		P2		
023	257402-3	SLEEVE 10		1				
024	144254-0	CONTROLLER COMPLETE		1				
025	168399-0	TANKCAP COMPLETE		1	*	P4		
025-1	168508-1	TANK CAP COMPLETE	O	1				
C10	213355-6	O-RING 25		1				
026	457022-5	FRONT HAND GUARD		1				
027	852V64-0	DUC353 NAME PLATE		1				
028	183F61-2	HOUSING SET		1				
C10	812D15-7	CAUTION LABEL		1				
D10		INC. 2						
029	266326-2	TAPPING SCREW 4X18		8		P2		
030	911233-1	PAN HEAD SCREW M5X20		3		P1		
031	142156-4	OIL PUMP COMPLETE		1				
032	424904-6	CONNECTOR B		1				
033	452666-6	NIPPLE		1		P1		
034	234207-8	COMPRESSION SPRING 6		1		P1		
035	266326-2	TAPPING SCREW 4X18		1		P2		
036	424903-8	CONNECTOR A		1				

