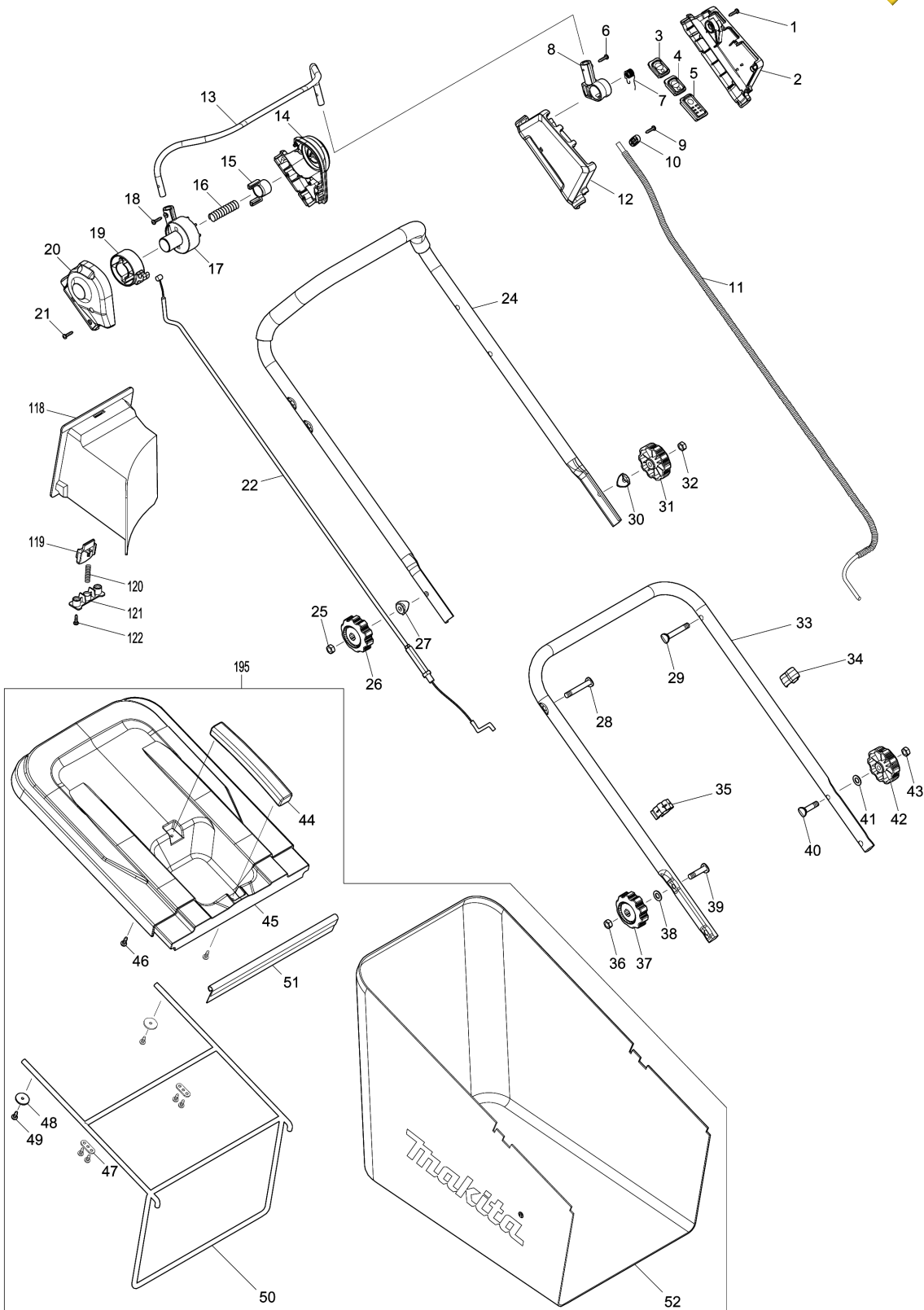
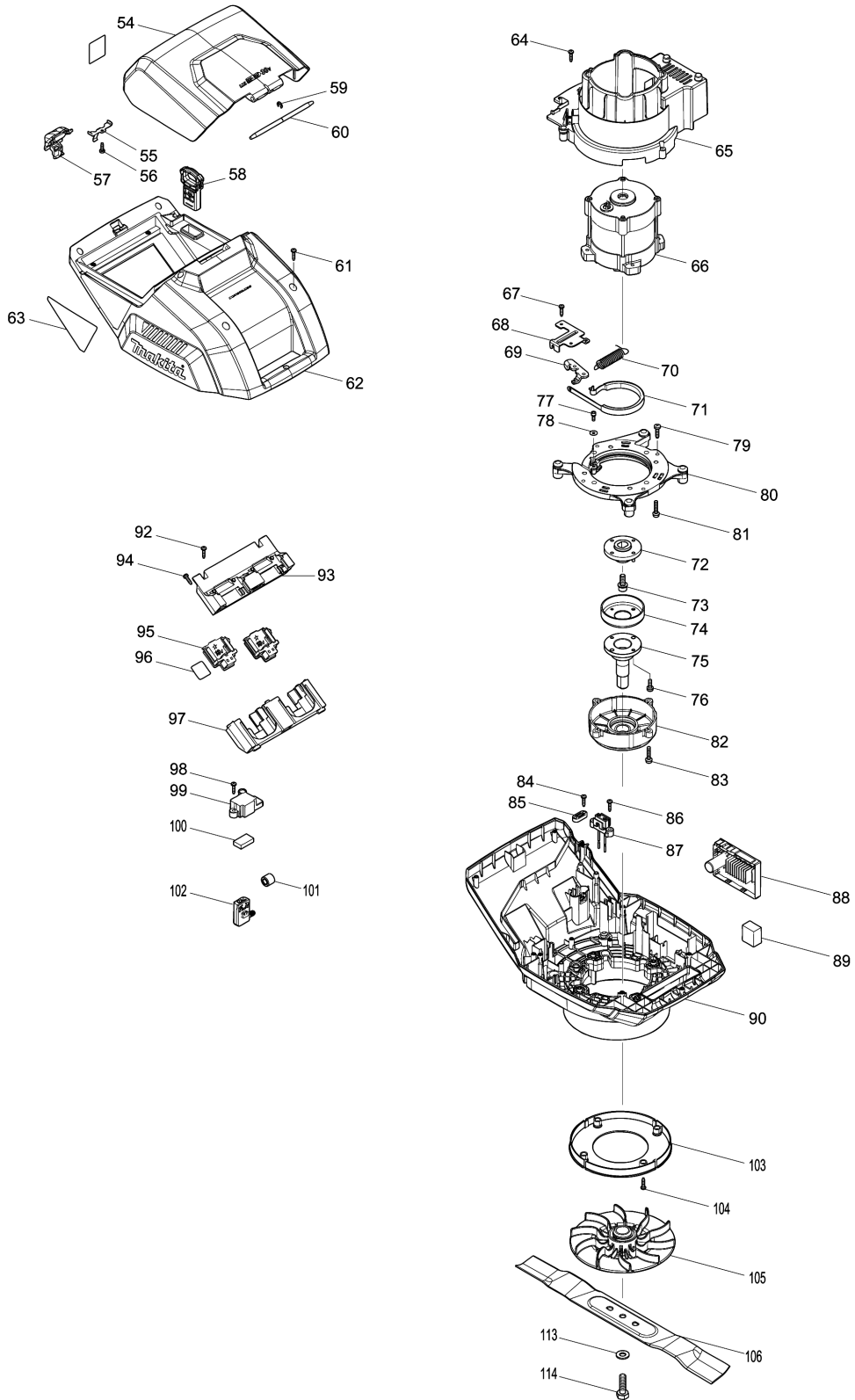




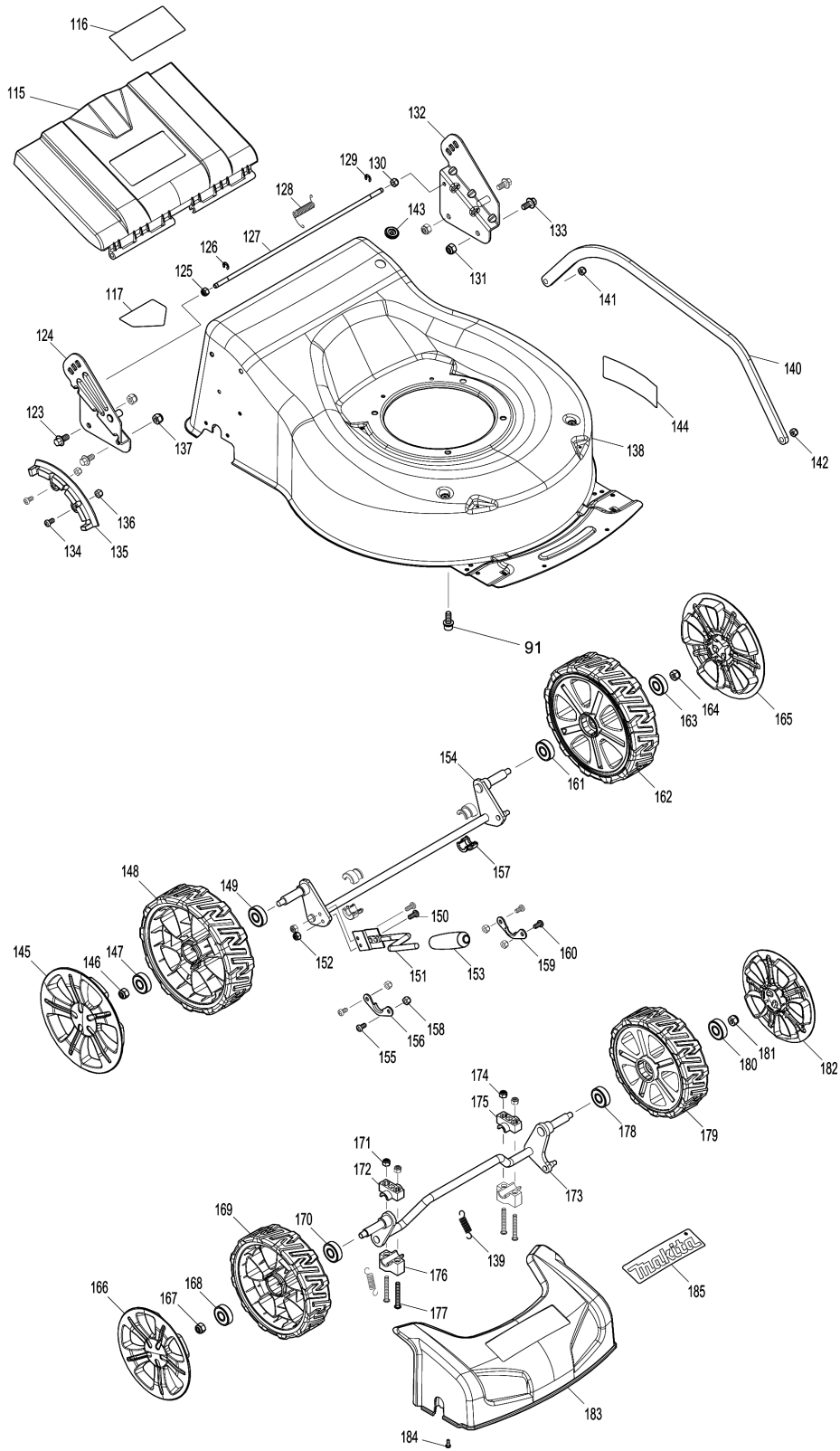
Model No.DLM460 460MM CORDLESS LAWN MOWER



Model No.DLM460 460MM CORDLESS LAWN MOWER



Model No.DLM460 460MM CORDLESS LAWN MOWER



Model No.DLM460 460MM CORDLESS LAWN MOWER

Position	Référence pièce	Description	Echange	QTE	New/Old	Option 1	Option 2	COMMENTAIRE
001	266326-2	TAPPING SCREW 4X18		4		65	P2	
002	183K45-0	SWITCH BOX SET		1				
	D10	INC. 12						
003	140F09-7	SWITCH CIRCUIT COMPLETE		1				
	C10	810D46-0		1				
004	140F10-2	SWITCH CIRCUIT COMPLETE		1				
	C10	818A74-1		1				
005	140F08-9	LED CIRCUIT COMPLETE		1				
	C10	818A73-3		1				
006	266324-6	TAPPING SCREW 4X22		1		0	P1	
007	232470-7	TORSION SPRING 12		1				
008	458803-0	LEVER SUPPORT		1				
009	266326-2	TAPPING SCREW 4X18		2		65	P2	
010	687124-5	STRAIN RELIEF		1		0	P1	
011	699115-4	POWER SUPPLY CORD UNIT		1				
012	183K45-0	SWITCH BOX SET		1				
	D10	INC. 2						
013	327208-4	SWITCH LEVER		1				
014	183K56-5	LEVER BOX SET		1				
	C10	818A72-5		1				
	D10	INC. 20						
015	458807-2	LOCK OFF BUTTON		1				
016	231227-3	COMPRESSION SPRING 15		1		65	P2	
017	458805-6	DRIVING SLEEVE A		1				
018	266324-6	TAPPING SCREW 4X22		1		0	P1	
019	458806-4	DRIVING SLEEVE B		1				
020	183K56-5	LEVER BOX SET		1				
	C10	818A72-5		1				
	D10	INC. 14						
021	266326-2	TAPPING SCREW 4X18		4		65	P2	
022	162509-1	CONTROL CABLE		1				
024	DA00001255	HANDLE UPPER + GRIP RUBBER		1				
025	DA00000563	HEXAGON NUT M8		1				
026	DA00000564	KNOB		1			P1	
027	DA00000924	PLASTIC SADDLE WASHER 8		1				
028	DA00000569	SADDLE HEAD BOLT M8X58		1			P2	
029	DA00000569	SADDLE HEAD BOLT M8X58		1			P2	
030	DA00000924	PLASTIC SADDLE WASHER 8		1				
031	DA00000564	KNOB		1			P1	
032	DA00000563	HEXAGON NUT M8		1				
033	671001606	LOWER HANDLE BAR		1				
034	458810-3	CABLE CLAMP		1				
035	671611001	CABLE CLIP		1			P1	
036	DA00000563	HEXAGON NUT M8		1				
037	DA00000564	KNOB		1			P1	
038	671007007	FLAT WASHER 8		1			P1	
039	DA00000880	SADDLE HEAD BOLT M8X35		1			P1	

Please order the parts with part number.

Print Date 29/3/2019

Model No.DLM460 460MM CORDLESS LAWN MOWER

Position	Référence pièce	Description	Echange	QTE	New/Old	Option 1	Option 2	COMMENTAIRE
040	DA00000880	SADDLE HEAD BOLT M8X35		1			P1	
041	671007007	FLAT WASHER 8		1			P1	
042	DA00000564	KNOB		1			P1	
043	DA00000563	HEXAGON NUT M8		1				
044	671454001	GRASS CATCHER HANDLE		1			P5	
045	671467001	GRASS CATCHER UPPER BORAD		1			P66	
046	DA00000326	TAPPING SCREW ST5X16		2			P1	
047	DA00000335	RETAINER PLATE		2			P1	
048	DA00000025	WASHER 5		2		0	P1	
049	DA00000888	TAPPING SCREW ST5X12		6			P1	
050	671001443	GRASS CATCHER FRAME		1			P25	
051	671001353	GRASS CATCHER FRAME SHEATH		1			P2	
052	671001418	GRASS CATCHER CLOTH SET MAKITA		1				
054	140F02-1	BATTERY COVER COMPLETE		1				
C10	890380-0	CAUTION LABEL		1		0	P1	
C20	818U29-6	INDICATION LABEL		1				
055	232471-5	LEAF SPRING		1				
056	266326-2	TAPPING SCREW 4X18		1		65	P2	
057	458809-8	LOCK LEVER		1				
058	643535-4	KEY		1				
059	961018-5	STOP RING E-5		1		0	P1	
060	327209-2	ROD 6		1				
061	266326-2	TAPPING SCREW 4X18		7		65	P2	
062	458798-7	COWLING UPPER		1				
063	854V20-6	DLM460 NAME PLATE		1				
064	266326-2	TAPPING SCREW 4X18		4		65	P2	
065	140F01-3	MOTOR COVER COMPLETE		1				
C10	263005-3	RUBBER PIN 6		2		65	P2	
066	629374-6	DC MOTOR		1				
067	266326-2	TAPPING SCREW 4X18		2		65	P2	
068	347456-9	LEVER BRACKET		1				
069	347455-1	BRAKE LEVER		1				
070	232469-2	TENSION SPRING 15		1				
071	140F28-3	BRAKE BAND COMPLETE		1	*			
071-1	140K44-5	BRAKE BAND COMPLETE	<	1				
072	140F06-3	DRUM HOLDER COMPLETE		1				
073	922438-8	H.S.H.BOLT M8X22 WITH WR		1				
074	347506-0	BRAKE DRUM		1				
075	327207-6	SPINDLE		1	*			
075-1	327361-6	SPINDLE	<	1				
076	911221-8	PAN HEAD SCREW M5X16		2		0	P1	
077	922116-0	HEX. SOCKET HEAD BOLT M4X12		1		0	P1	
078	253874-0	FLAT WASHER 4		1		0	P3	
079	266420-0	TAPPING SCREW 5X20		4		0	P1	
080	319768-0	MOTOR BRACKET		1				
081	911243-8	PAN HEAD SCREW M5X25		4		0	P1	

Please order the parts with part number.

Print Date 29/3/2019

Model No.DLM460 460MM CORDLESS LAWN MOWER

Position	Référence pièce	Description	Echange	QTE	New/Old	Option 1	Option 2	COMMENTAIRE
082	140F51-8	BRAKE COVER COMPLETE		1				
C10	211326-7	BALL BEARING 6004DDW		1		75	P21	
083	911243-8	PAN HEAD SCREW M5X25		4		0	P1	
084	266326-2	TAPPING SCREW 4X18		2		65	P2	
085	687124-5	STRAIN RELIEF		1		0	P1	
086	266326-2	TAPPING SCREW 4X18		2		65	P2	
087	632M81-0	LEAD UNIT		1				
088	620939-7	CONTROLLER		1				
089	422351-5	SPONGE		2				
090	458799-5	COWLING LOWER		1				
091	922438-8	H.S.H.BOLT M8X22 WITH WR		4				
092	266326-2	TAPPING SCREW 4X18		2		65	P2	
093	183K40-0	TERMINAL HOUSING SET		1				
C10	263005-3	RUBBER PIN 6		4		65	P2	
D10		INC. 97						
094	266326-2	TAPPING SCREW 4X18		3		65	P2	
095	644809-6	TERMINAL		2				
096	854V26-4	DLM460 SERIAL NO. LABEL		1				
097	183K40-0	TERMINAL HOUSING SET		1				
C10	263005-3	RUBBER PIN 6		4		65	P2	
D10		INC. 93						
098	266326-2	TAPPING SCREW 4X18		2		65	P2	
099	458797-9	SWITCH COVER		1				
100	422350-7	SPONGE		1				
101	688163-8	LINE FILTER		1		0	P1	
102	651083-9	SWITCH C3XA-1PSPM		1				
103	458808-0	BUFFLE PLATE		1				
104	266326-2	TAPPING SCREW 4X18		4		65	P2	
105	140F05-5	BLADE SUPPORT COMPLETE		1				
106	199367-2	BLADE 460 SET		1				
113	941251-5	FLAT WASHER 10		1		65	P2	
114	921556-9	HEX. BOLT M10X35		1				
115	DA00001252	REAR FLAP		1				
116	818A77-5	CAUTION LABEL		1				
118	671660001	MULCHING PLUG BOX		1			A9	
119	671316004	LOCKING BUTTON		1			P1	
120	671011005	COMPRESSION SPRING		1			P2	
121	671317001	PRESSING BOARD OF LOCKING		1			P1	
122	DA00000603	TAPPING SCREW ST4X16		2				
123	DA00000562	HEX.FLANGE BOLT M8X16		2				
124	DA00001248	HANDLE BRACKET R		1				
125	DA00000543	HEX.FLANGE LOCK NUT M6		1				
126	671009017	STOP RING E-6		1			P1	
127	671001518	REAR FLAP HINGE ROD		1			P7	
128	671011101	REAR FLAP TORSION SPRING		1			P1	
129	671009017	STOP RING E-6		1			P1	

Please order the parts with part number.

Print Date 29/3/2019

Model No.DLM460 460MM CORDLESS LAWN MOWER

Position	Référence pièce	Description	Echange	QTE	New/Old	Option 1	Option 2	COMMENTAIRE
130	DA00000543	HEX.FLANGE LOCK NUT M6		1				
131	DA00000537	HEX.FLANGE LOCK NUT M8		2				
132	DA00001249	HANDLE BRACKET L		1				
133	DA00000562	HEX.FLANGE BOLT M8X16		2				
134	671002019	TRUSS HEAD SCREW M6X12		2			P1	
135	DA00000787	HEIGHT ADJUSTER STOP PLATE		1	*			
135-1	459361-9	ADJUST PLATE	<	1				
136	DA00000543	HEX.FLANGE LOCK NUT M6		2				
137	DA00000537	HEX.FLANGE LOCK NUT M8		2				
138	DA00001250	DECK		1				
139	671011125	HEIGHT ADJUST TENSION SPRING		2			P1	
140	DA00001154	LINK ROD		1				
141	DA00000549	NYLON INSERT HEX.LOCK NUT M6		1				
142	DA00000549	NYLON INSERT HEX.LOCK NUT M6		1				
143	671800104	GROMMET		1			P1	
144	818A76-7	3 IN 1 LOGO LABEL		1				
145	DA00000536	WHEEL COVER 7 INCH		1				
146	DA00000537	HEX.FLANGE LOCK NUT M8		1				
147	DA00000538	BALL BEARING 6201ZZ		1			P5	
148	671020160	WHEEL ASSY 8 INCH		1			P18	
149	DA00000538	BALL BEARING 6201ZZ		1			P5	
150	671002030	PAN. HEAD SCREW M6X14		2			P1	
151	DA00001174	HANDLE		1				
152	DA00000549	NYLON INSERT HEX.LOCK NUT M6		2				
153	DA00001058	HEIGHT ADJUSTMENT KNOB		1				
154	DA00001175	REAR WHEEL AXIS ASSY		1				
155	671002019	TRUSS HEAD SCREW M6X12		2			P1	
156	DA00000542	BEARING CASE RETAINER		1				
157	DA00001025	REAR AXLE MOUNT		4				
158	DA00000543	HEX.FLANGE LOCK NUT M6		4				
159	DA00000542	BEARING CASE RETAINER		1				
160	671002019	TRUSS HEAD SCREW M6X12		2			P1	
161	DA00000538	BALL BEARING 6201ZZ		1			P5	
162	671020160	WHEEL ASSY 8 INCH		1			P18	
163	DA00000538	BALL BEARING 6201ZZ		1			P5	
164	DA00000537	HEX.FLANGE LOCK NUT M8		1				
165	DA00000536	WHEEL COVER 7 INCH		1				
166	671001176	WHEEL COVER 6.5 INCH		1			P11	
167	DA00000537	HEX.FLANGE LOCK NUT M8		1				
168	DA00000538	BALL BEARING 6201ZZ		1			P5	
169	671020150	WHEEL ASSY 7 INCH		1			P64	
170	DA00000538	BALL BEARING 6201ZZ		1			P5	
171	DA00000549	NYLON INSERT HEX.LOCK NUT M6		2				
172	671445001	FRONT AXLE RETAINER		1			P2	
173	671001786	FRONT AXLE		1			P25	

Please order the parts with part number.

Print Date 29/3/2019

Model No.DLM460 460MM CORDLESS LAWN MOWER

Position	Référence pièce	Description	Echange	QTE	New/Old	Option 1	Option 2	COMMENTAIRE
174	DA00000549	NYLON INSERT HEX.LOCK NUT M6		2				
175	671445001	FRONT AXLE RETAINER		1			P2	
176	671418001	FRONT AXLE MOUNT		2			P3	
177	671002028	PAN.HED SCREW M6X45		4			P1	
178	DA00000538	BALL BEARING 6201ZZ		1			P5	
179	671020150	WHEEL ASSY 7 INCH		1			P64	
180	DA00000538	BALL BEARING 6201ZZ		1			P5	
181	DA00000537	HEX.FLANGE LOCK NUT M8		1				
182	671001176	WHEEL COVER 6.5 INCH		1			P11	
183	DA00001251	FRONT COVER		1				
184	DA00000911	TAPPING SCREW ST4.2X10		8				
185	818A75-9	MAKITA LOGO LABEL		1				
195	127061-6	GRASS CATCHER ASSEMBLY		1				
D10		INC. 44-52						
A01	782210-8	SOCKET WRENCH 17		1		2	A10	
A02B	***DC18RD	DC18RD TWO PORT FAST CHARGER		1				
D10		COMPO-PARTS						
A03B	197280-8	BATTERY BL1850B SET		2	*		A45	
A03-1B	197280-8	BATTERY BL1850B SET	O	2			A45	
E01	817C33-4	SOUND 92DB LABEL		1				

Please order the parts with part number.

Print Date 29/3/2019