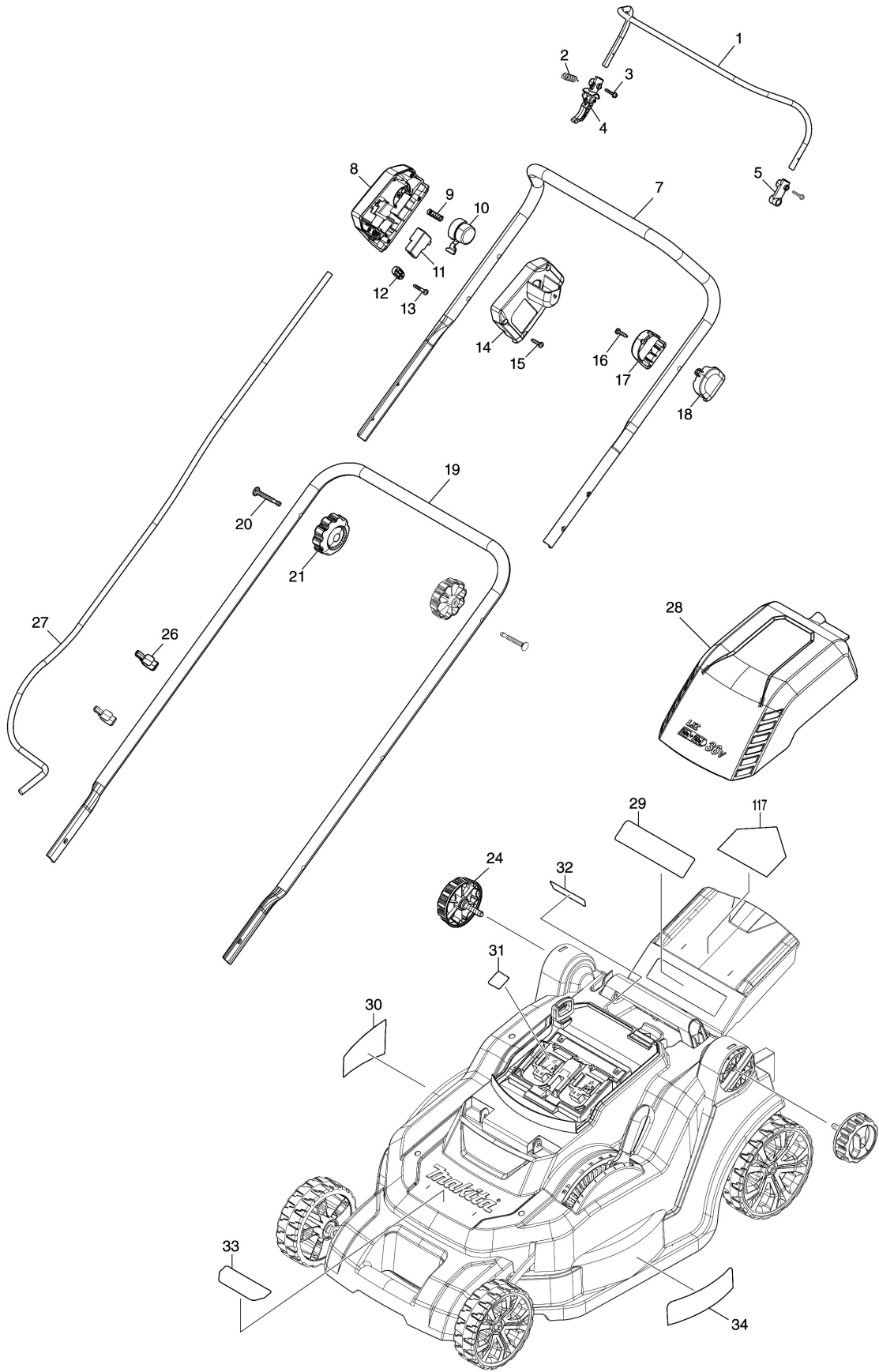
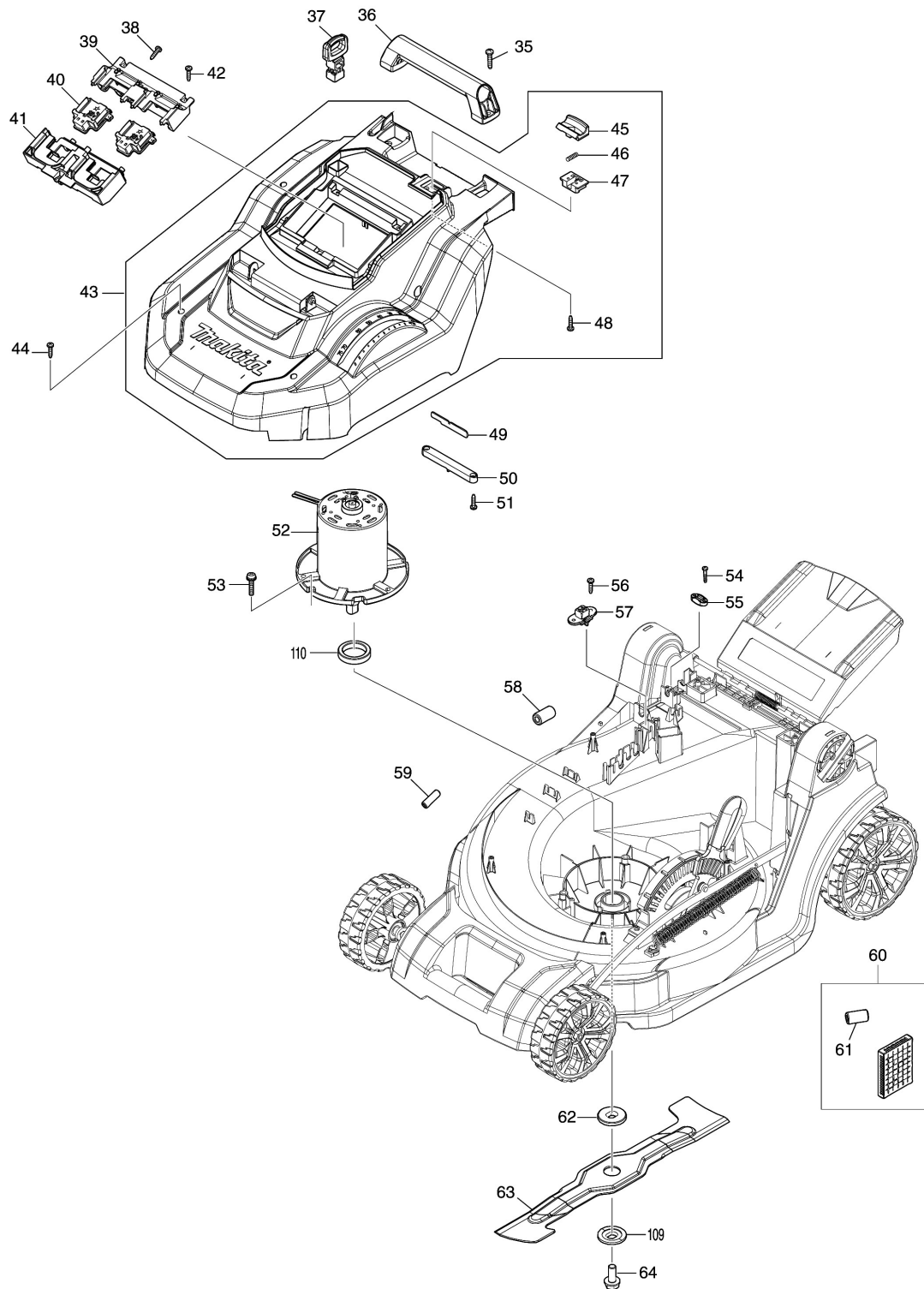


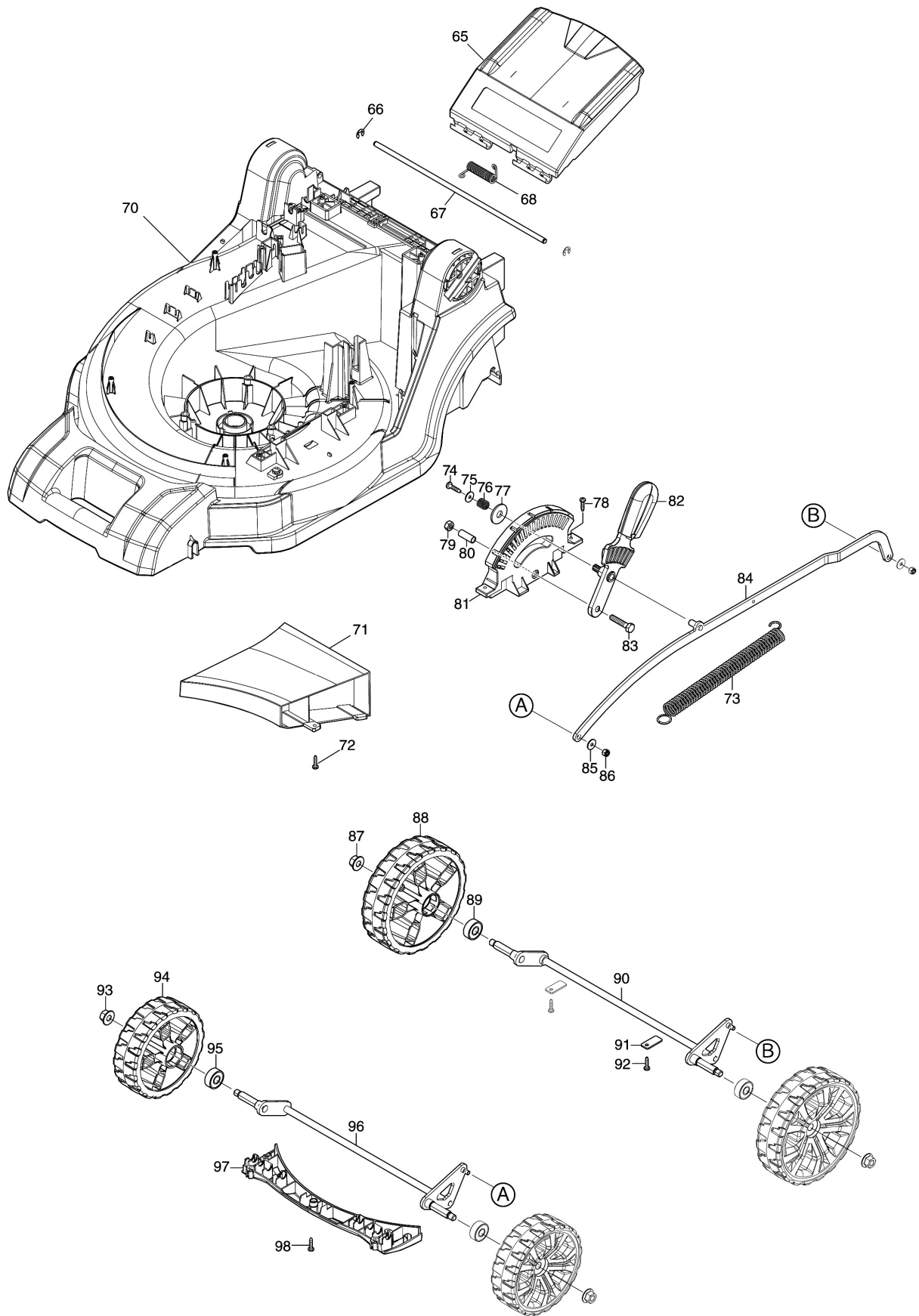
Model No.DLM432 430MM CORDLESS LAWN MOWER



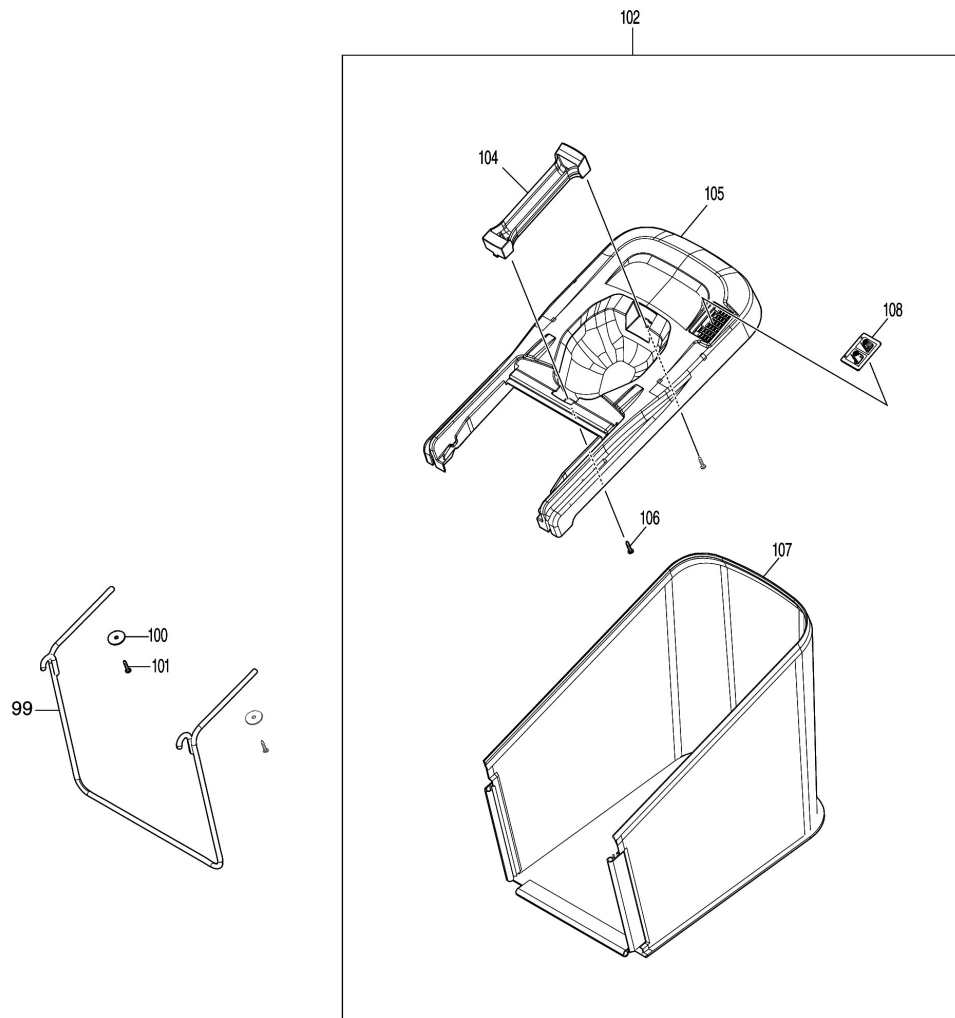
Model No.DLM432 430MM CORDLESS LAWN MOWER



Model No.DLM432 430MM CORDLESS LAWN MOWER



Model No.DLM432 430MM CORDLESS LAWN MOWER



Model No.DLM432 430MM CORDLESS LAWN MOWER

Position	Référence pièce	Description	Echange	QTE	New/Old	Option 1	Option 2	COMMENTAIRE
001	326636-0	LEVIER INTERRUPTEUR		1			P8	
002	231876-6	RESSORT DE TENSION 9		1		0	P1	
003	911138-5	VIS TETE RONDE M4X20		2		0	P1	
004	455075-8	LEVIER		1			P1	
005	455078-2	BRAS		1			P1	
007	143510-5	UPPER PIPE COMPLETE		1				
008	459804-1	SWITCH BOX		1				
009	233068-3	RESSORT COMPRESSION 6		1		0	P1	
010	455074-0	BOUTON BLOCAGE		1			P1	
011	650730-9	326417-2TEUR TG72BD-6		1			P42	
012	687124-5	BARETTE DE FIXATION		1		0	P1	
013	265999-8	VIS A COLLERETTE 4X25		2		0	P1	
014	140N15-0	SWITCH BOX COVER COMPLETE K		1				
C10	890374-5	ETIQUETTE		1		0	P1	
015	266326-2	VIS 4x18		4		65	P2	
016	266326-2	VIS 4x18		1		65	P2	
017	456352-1	COUVERCLE BOITIER BARRE		1			P67	
018	456351-3	BOITIER BARRE		1			P67	
019	326635-2	LOWER PIPE		1				
020	265A14-4	CUP H. SQUARE NECK BOLT M6X50		2				
021	264070-5	ECROU PAPILLON M6		2		0	P3	
024	266729-0	VIS M8X35		2		1	P4	
026	459809-1	HOLDER		2				
027	660393-3	POWER SUPPLY CORD		1				
028	140N21-5	BATTERY COVER COMPLETE E		1				
C10	8005W1-7	CAUTION LABEL		1				
029	890375-3	MARQUAGE MAKITA		1		0	P1	
030	856L50-3	DLM432 NAME PLATE		1				
031	856L57-9	DLM432 SERIAL NO. LABEL		1				
032	8005W9-1	INDICATION LABEL		1				
033	8005W4-1	INDICATION LABEL		1				
034	8005W5-9	INDICATION LABEL		1				
035	266459-3	VIS 5X25		2		0	P1	
036	273675-0	POIGNEE A		1		1	P5	
037	643890-4	CLE		1		1	P4	
038	266326-2	VIS 4x18		3		65	P2	
039	183N35-1	TERMINAL HOUSING SET		1				
C10	263005-3	CHEVILLE CAOUTCHOUC 6		4		65	P2	
D10		INC. 41						
040	644809-6	TERMINAL		2				
041	183N35-1	TERMINAL HOUSING SET		1				
C10	263005-3	CHEVILLE CAOUTCHOUC 6		4		65	P2	
D10		INC. 39						

Please order the parts with part number.

Print Date 9/7/2020

Model No.DLM432 430MM CORDLESS LAWN MOWER

Position	Référence pièce	Description	Echange	QTE	New/Old	Option 1	Option 2	COMMENTAIRE
042	266326-2	VIS 4x18		3		65	P2	
043	127387-6	COWLING M ASSEMBLY		1				
D10		INC. 45-48						
044	266326-2	VIS 4x18		4		65	P2	
045	453250-0	LEVIER DE SECURITE		1		65	P2	
046	233173-6	RESSORT DE COMPRESSION 4		1		0	P1	
047	453251-8	SUPPORT LEVIER DE SECURITE		1		0	P1	
048	266326-2	VIS 4x18		2		65	P2	
049	620B91-3	LED CIRCUIT		1				
050	455070-8	COUVERCLE LED		1			P1	
051	266326-2	VIS 4x18		2		65	P2	
052	629A18-4	DC MOTOR		1				
053	266774-5	VIS TETE RONDE M6X30		3		0	P1	
054	265999-8	VIS A COLLERETTE 4X25		2		0	P1	
055	687124-5	BARETTE DE FIXATION		1		0	P1	
056	266326-2	VIS 4x18		2		65	P2	
057	638946-6	UNITE DE CONTR LE		1		1	P5	
058	688162-0	PASSE FIL		1			P2	
059	688165-4	PASSE-FIL		2		0	P1	
060	632P19-3	CONTROLLER UNIT		1				
C10	654208-4	BASE 2704		1		0	P1	
D10		INC. 61						
061	688162-0	PASSE FIL		1			P2	
062	224444-2	FLASQUE INTERR 40		1		1	P5	
063	191D43-8	BLADE 430 SET		1				
064	266731-3	VIS TETE HEX M10X25		1		0	P1	
065	140S15-0	REAR FLAP COMPLETE		1				
D10		INC. 29						
066	LC961018-5	STOP RING (EXT) E-5		2				
067	259067-7	ROD 6		1				
068	LC233597-6	TORSION SPRING 8		1				
070A	459780-9	DECK		1	*			
C10	346544-9	PLATE NUT M8		2	*			
C20	931302-2	ECROU HEX.M6		3	*	0	P3	
070B	459780-9	DECK		1				
C10	346544-9	PLATE NUT M8		2				
C20	931302-2	ECROU HEX.M6		3		0	P3	
070-1A	459780-9	DECK	O	1				
C10	346544-9	PLATE NUT M8		2				
C20	931302-2	ECROU HEX.M6		3		0	P3	
071	412272-9	UNDER COVER		1				
072	266326-2	VIS 4x18		3		65	P2	
073	LC231875-8	TENSION SPRING 16		1				
074	266326-2	VIS 4x18		1		65	P2	

Please order the parts with part number.

Print Date 9/7/2020

Model No.DLM432 430MM CORDLESS LAWN MOWER

Position	Référence pièce	Description	Echange	QTE	New/Old	Option 1	Option 2	COMMENTAIRE
075	LC267102A7	FLAT WASHER 4		1				
076	LC231297-2	COMPRESSION SPRING 9		1				
077	LC253808A3	FLAT WASHER 9		1				
078	266326-2	VIS 4x18		2		65	P2	
079	931302-2	ECROU HEX.M6		1		0	P3	
080	LC257670A8	SLEEVE 6		1				
081	453255-0	SUPPORT DE REGLAGE		1		2	P8	
082	459099-6	CHANGE LEVER		1				
083	LC921352-5	HEX.BOLT M6X30		1				
084	346543-1	BARRE DE LIAISON		1		15	P64	
085	LC941101-4	FLAT WASHER 5		2				
086	252103-8	ECROU HEX M5-8		2		65	P2	
087	LC252145-2	COLLARED HEX. NUT M8		2				
088	459101-5	REAR WHEEL		2				
089	LC210070-3	BALL BEARING 6200ZZ		2				
090	165669-8	TRAIN ARRIERE		1		45	P19	
091	LC346545-7	PLATE		2				
092	266326-2	VIS 4x18		2		65	P2	
093	LC252145-2	COLLARED HEX. NUT M8		2				
094	459100-7	FRONT WHEEL		2				
095	LC210070-3	BALL BEARING 6200ZZ		2				
096	165668-0	TRAIN AVANT		1		45	P19	
097	456353-9	FRONT COVER		1				
098	266326-2	VIS 4x18		5		65	P2	
099	327409-4	REAR BAG ROD		1				
100	267438-4	RONDELLE PLATE 5		2		0	P1	
101	266326-2	VIS 4x18		2		65	P2	
102	127386-8	REAR BAG ASSEMBLY M		1				
D10		INC. 104-108						
104	273676-8	GRIP B		1				
105	459807-5	REAR BAG COVER		1				
106	266326-2	VIS 4x18		2		65	P2	
107	162680-1	REAR BAG		1				
108	459806-7	INDICATOR M		1				
109	224445-0	FLASQUE EXTERIEURE 40		1		1	P6	
110	688238-3	LINE FILTER		1				
A01	782210-8	CLE A DOUILLE 17		1		2	A10	
A02B	***DC18RD	DC18RD TWO PORT FAST CHARGER		1				
D10		COMPO-PARTS						
A03B	197280-8	BATTERIE BL1850B 18V 5A		2			A45	
E01	817C33-4	SOUND 92DB LABEL		1				

Please order the parts with part number.

Print Date 9/7/2020