

# 801 22 Z1 IN



DX  
SX



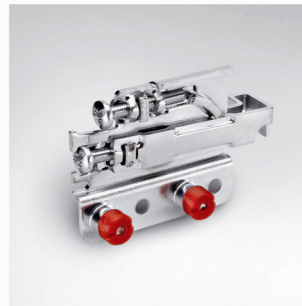
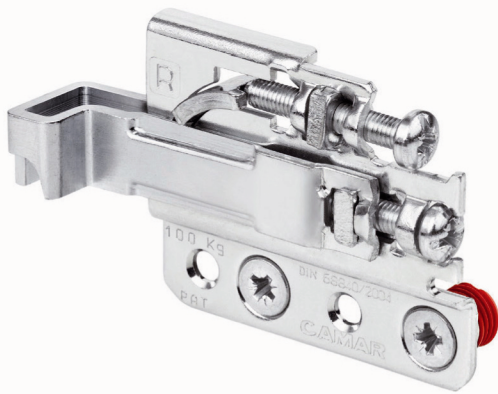
200



4800



1200



**870**  
444

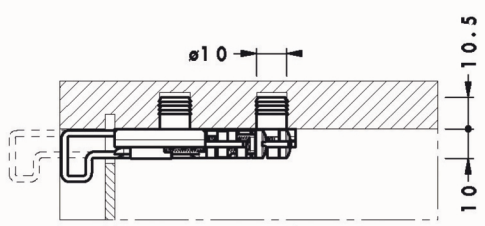
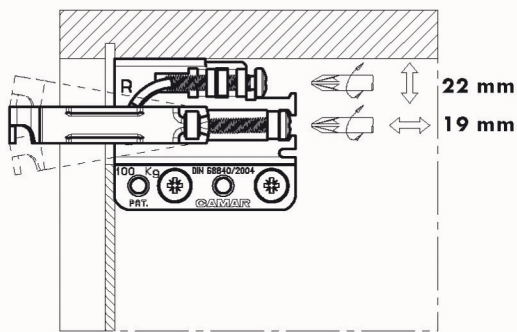
**873**  
445

**874**  
445

**875**  
446-448

**880**  
449

**890 AC 00 60 LS** 452  
**890 AC 01 00 LS** 453  
**890 AC 01 20 LS** 454  
**890 AC 01 40 LS** 454



MIN.15  
MIN.18  
60



**801**  
429

