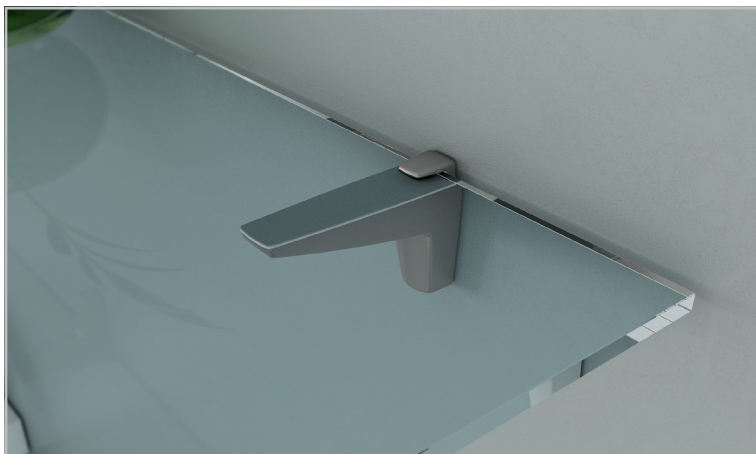


## MOON S

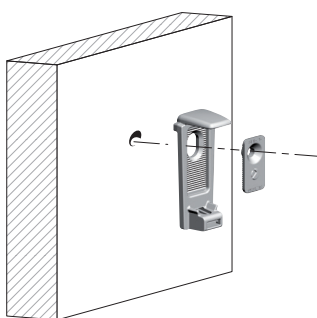


4-25 mm

50 kg for pair for shelf 320 mm deep

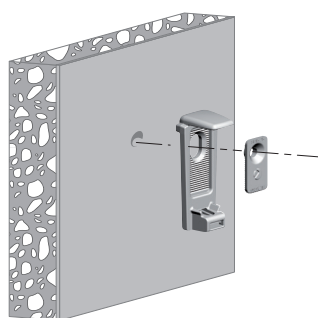
3

### WOOD PANEL

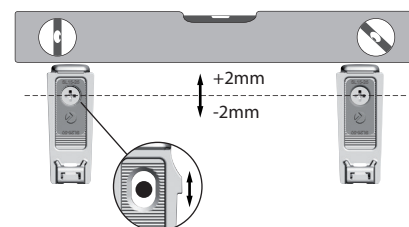


Recommended fixing countersunk screw type - head Ø 4 mm max.

### SOLID AND PLASTERBOARD WALLS



### UPPER PART ALIGNMENT

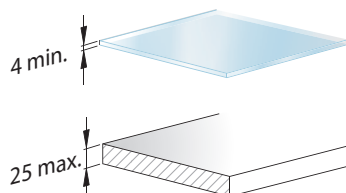
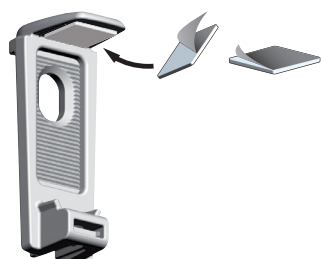


It is the responsibility of the customer:

- to ensure that the wall is of a suitable quality to hold the shelf fixing in place.
- to use the proper hardware fittings according to the construction of the wall.

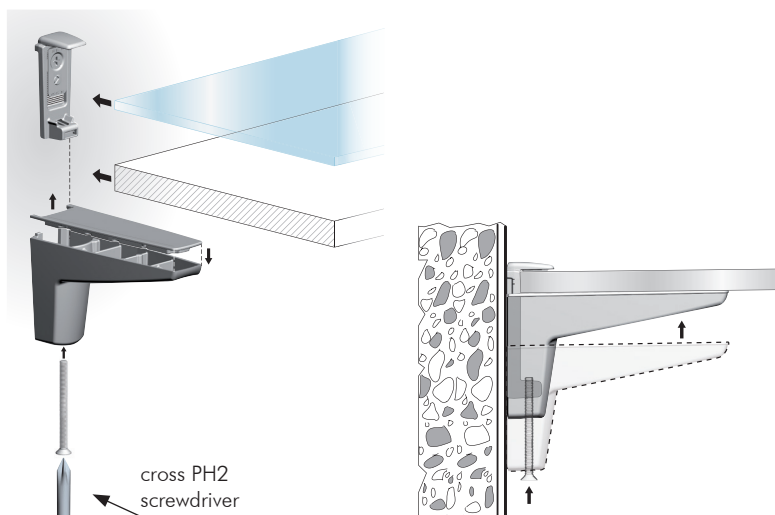
For more specific information, please refer to the WARNINGS section at the end of the catalogue.

### For shelves 4 - 25 mm thick:

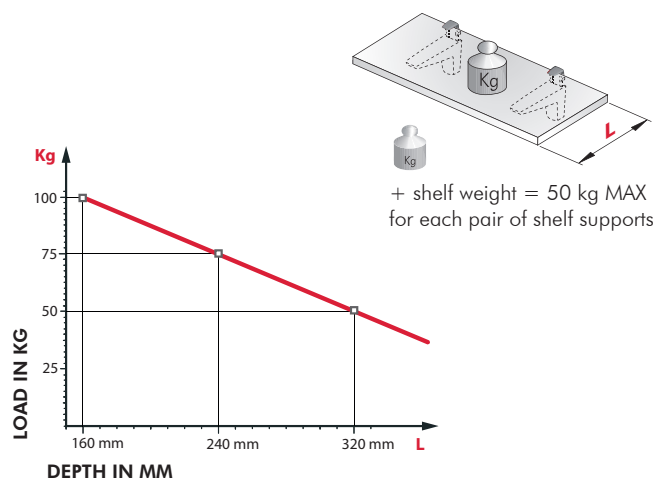


For glass shelves it's necessary to add the adhesive rubber insert on the upper part (already included in the kit).

### SHELF LOCKING

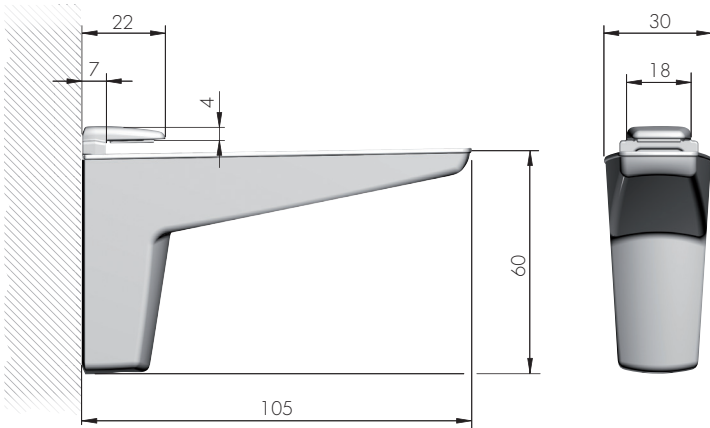
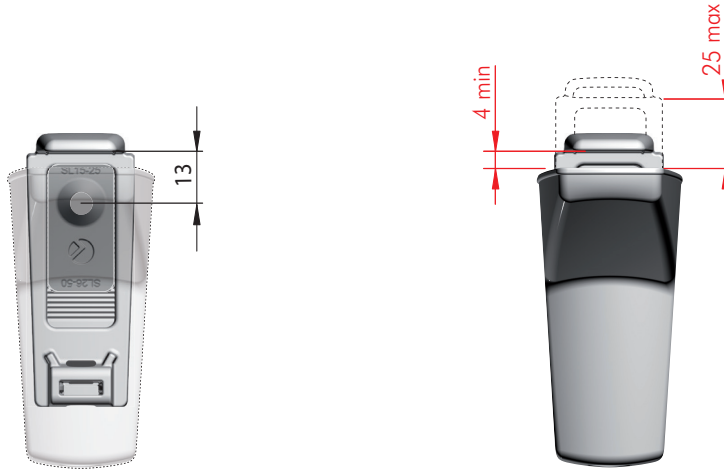









### COMBINATION SHELF LOAD AND SHELF DEPTH (The figures refer to one pair of shelf supports)



## POSITION OF THE RIDGE PLATE FOR SHELVES WITH 4 - 25 mm THICKNESS

3

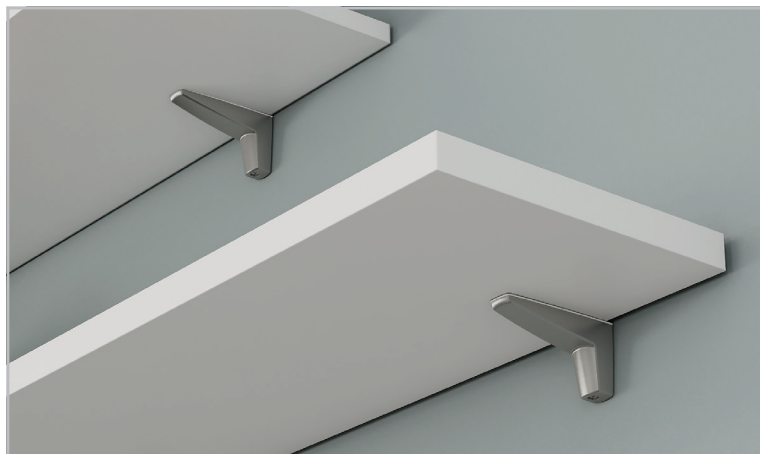


 = PH2	
 	 = 24 pairs
 	
<b>16228010UZ</b>	
<b>16228010EC</b>	
<b>16228010KB</b>	

NOTE: MOON S is supplied in carton box including 2 pieces, accessories and fitting guide. Fixing screws to wall not included.



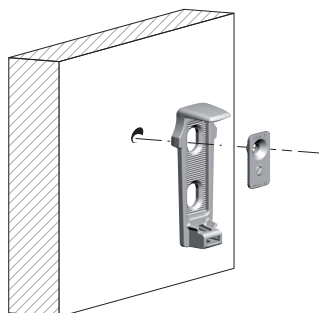
## MOON



15-50 mm

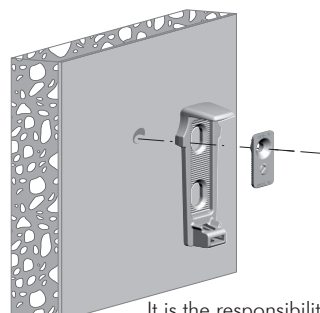
50 kg for pair for shelf 320 mm deep

### WOOD PANEL



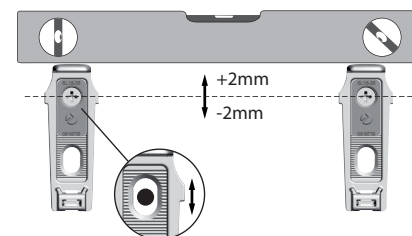
Recommended fixing countersunk screw type - head Ø 4 mm max.

### SOLID AND PLASTERBOARD WALLS

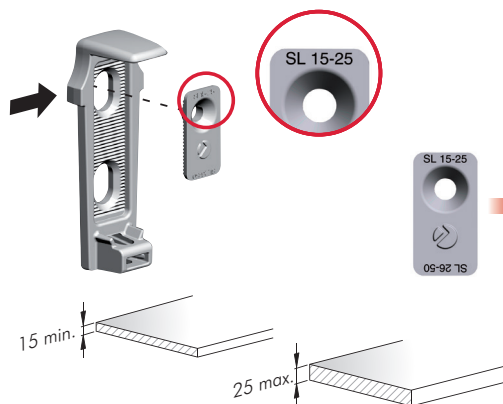


It is the responsibility of the customer:  
 - to ensure that the wall is of a suitable quality to hold the shelf fixing in place.  
 - to use the proper hardware fittings according to the construction of the wall.  
 For more specific information, please refer to the WARNINGS section at the end of the catalogue.

### BRACKET ALIGNMENT

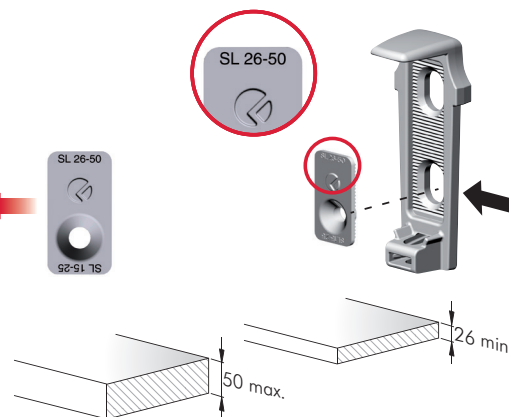


### For shelves 15 - 25 mm thick:

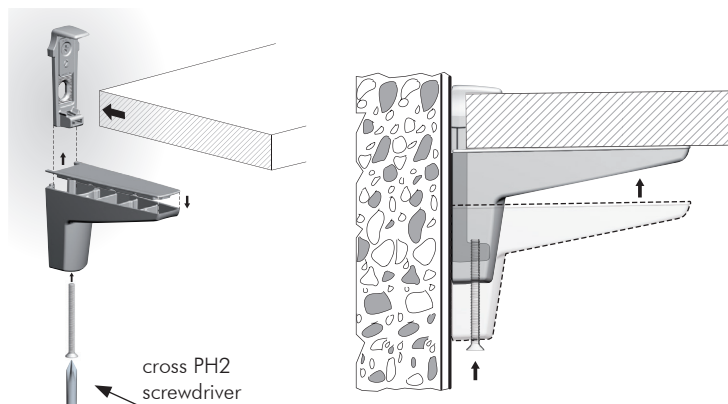


Place the plate in the correct position, according to shelf thickness.

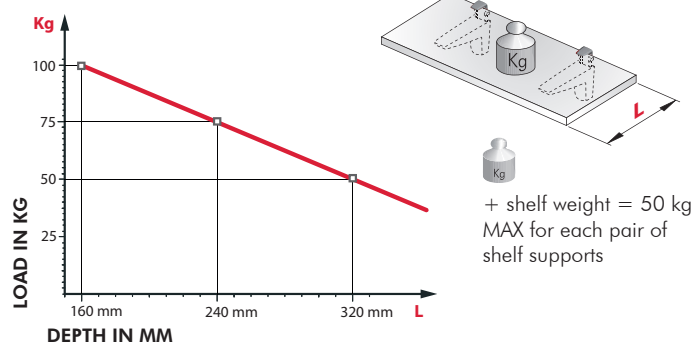
### For shelves 26 - 50 mm thick:



### SHELF LOCKING

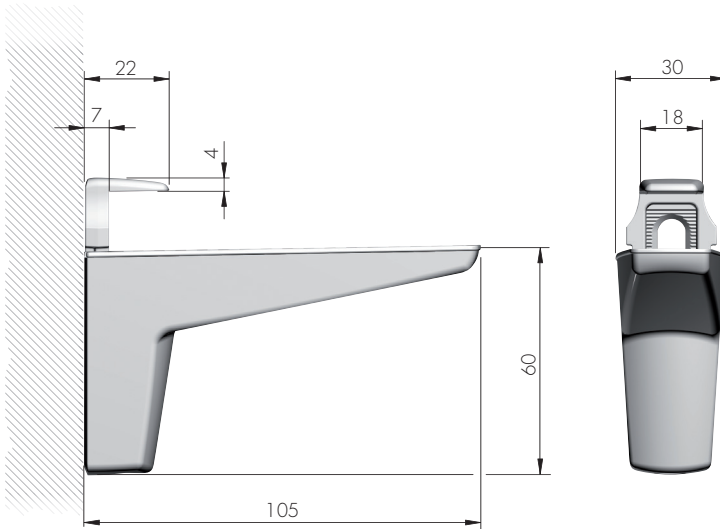
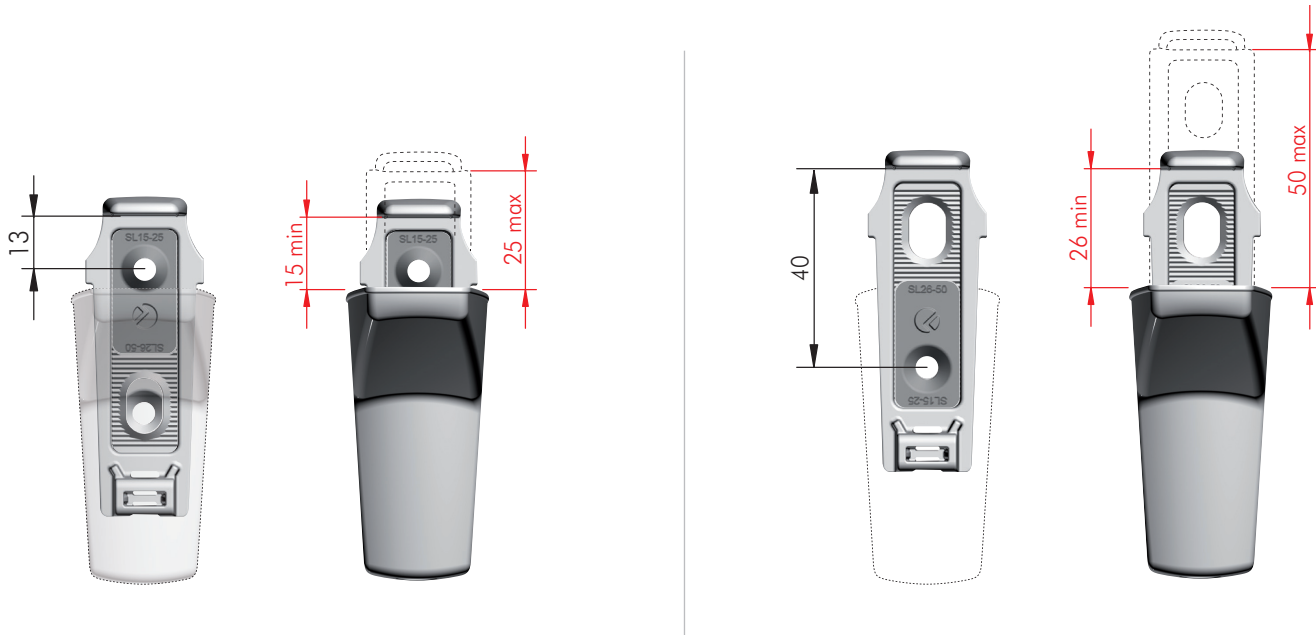


### COMBINATION SHELF LOAD AND SHELF DEPTH (The figures refer to one pair of shelf supports)



## POSITION OF THE RIDGE PLATE FOR SHELVES WITH 15 - 25 mm AND 26 - 50 mm THICKNESS

3



	= PH2	
	EPw	
	123	
<b>16226010UZ</b>		= 24 pairs
<b>16226010EC</b>		
<b>16226010KB</b>		

NOTE: MOON is supplied in carton box including 2 pieces, accessories and fitting guide. Fixing screws to wall not included.

