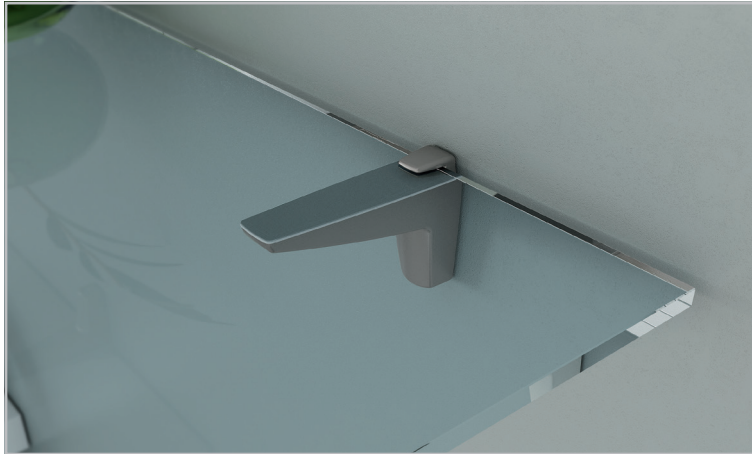


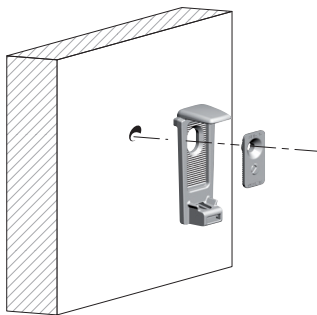
MOON S



4-25 mm

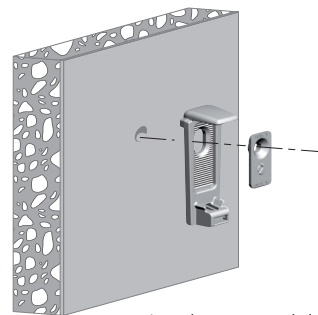
50 kg for pair for shelf 320 mm deep

WOOD PANEL

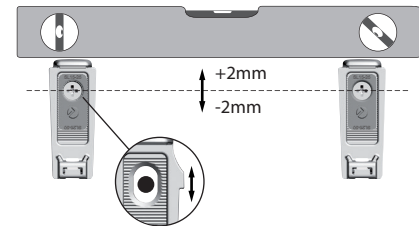


Recommended fixing countersunk screw type - head Ø 4 mm max.

SOLID AND PLASTERBOARD WALLS



UPPER PART ALIGNMENT

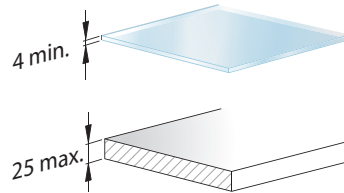
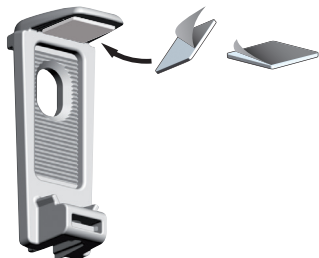


It is the responsibility of the customer:

- to ensure that the wall is of a suitable quality to hold the shelf fixing in place.
- to use the proper hardware fittings according to the construction of the wall.

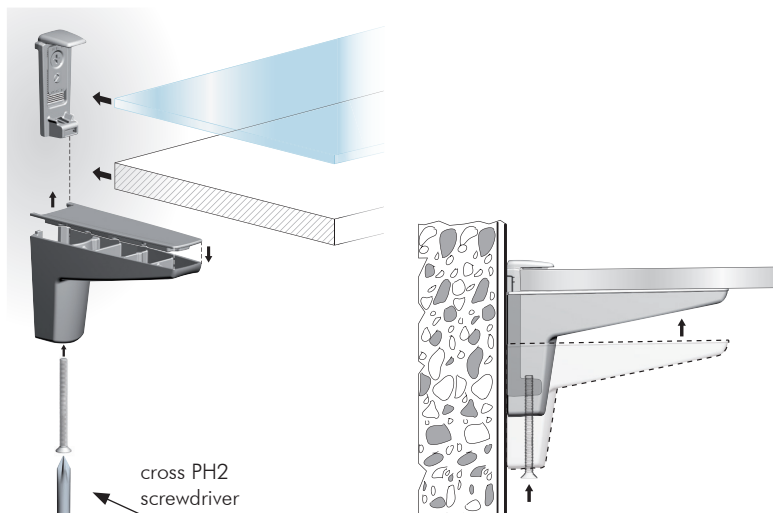
For more specific information, please refer to the WARNINGS section at the end of the catalogue.

For shelves 4 - 25 mm thick:

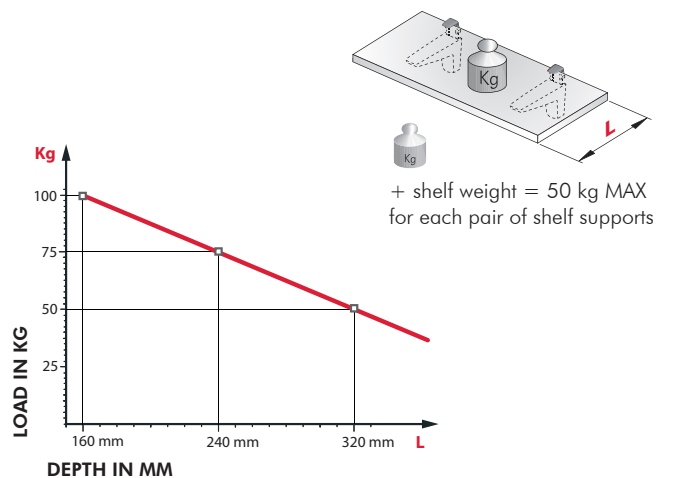


For glass shelves it's necessary to add the adhesive rubber insert on the upper part (already included in the kit).

SHELF LOCKING

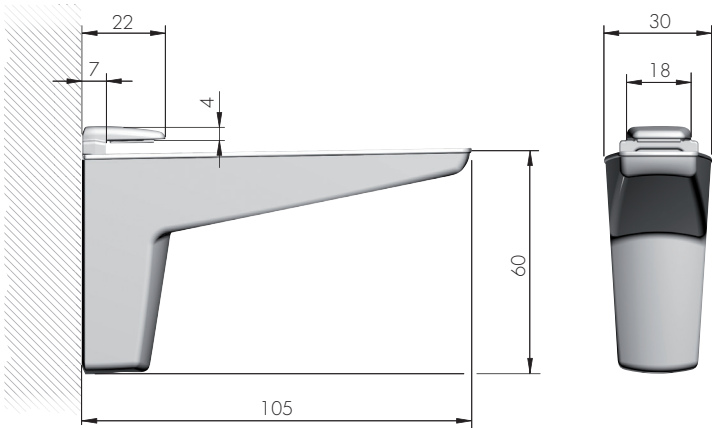
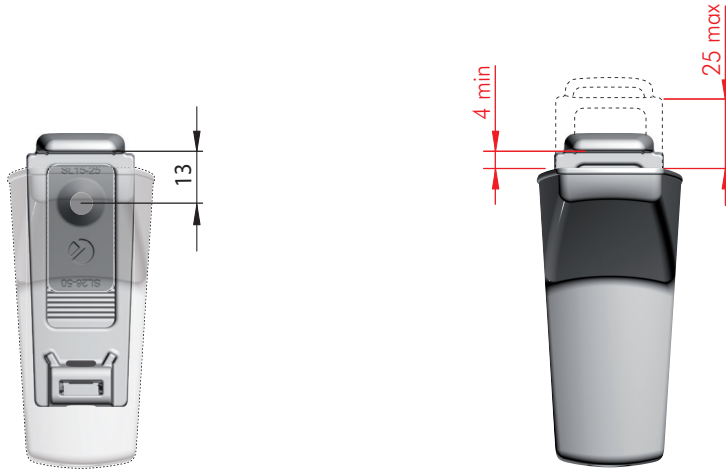









COMBINATION SHELF LOAD AND SHELF DEPTH (The figures refer to one pair of shelf supports)



POSITION OF THE RIDGE PLATE FOR SHELVES WITH 4 - 25 mm THICKNESS

3

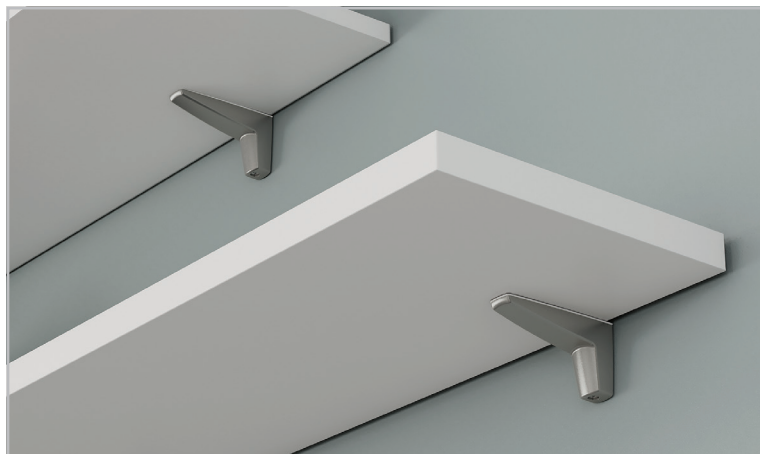


 = PH2	
 	 = 24 pairs
 	
16228010UZ	
16228010EC	
16228010KB	

NOTE: MOON S is supplied in carton box including 2 pieces, accessories and fitting guide. Fixing screws to wall not included.



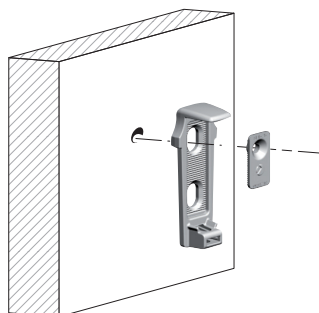
MOON



15-50 mm

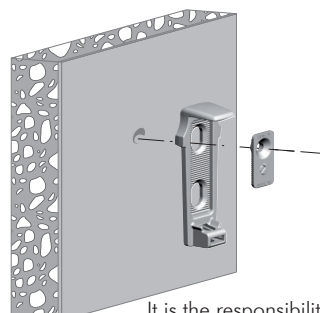
50 kg for pair for shelf 320 mm deep

WOOD PANEL

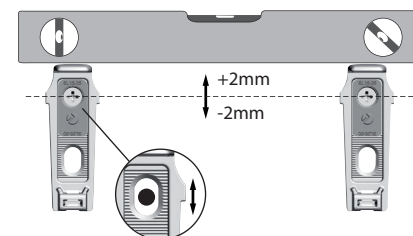


Recommended fixing countersunk screw type - head Ø 4 mm max.

SOLID AND PLASTERBOARD WALLS

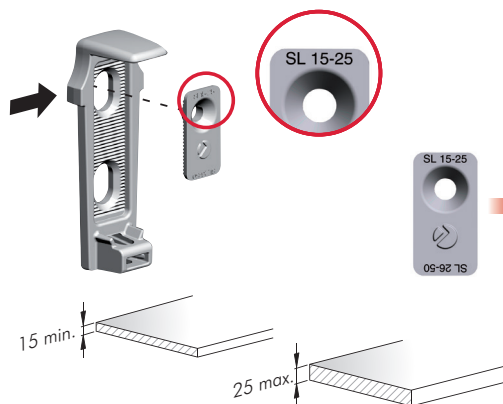


BRACKET ALIGNMENT



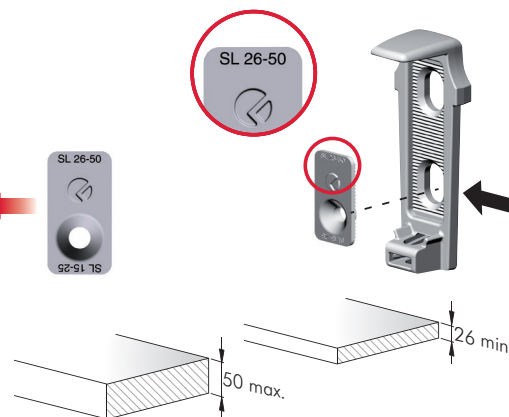
It is the responsibility of the customer:
 - to ensure that the wall is of a suitable quality to hold the shelf fixing in place.
 - to use the proper hardware fittings according to the construction of the wall.
 For more specific information, please refer to the WARNINGS section at the end of the catalogue.

For shelves 15 - 25 mm thick:

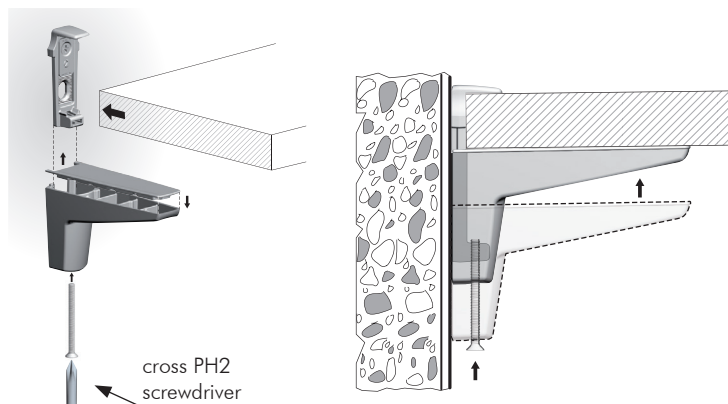


Place the plate in the correct position, according to shelf thickness.

For shelves 26 - 50 mm thick:

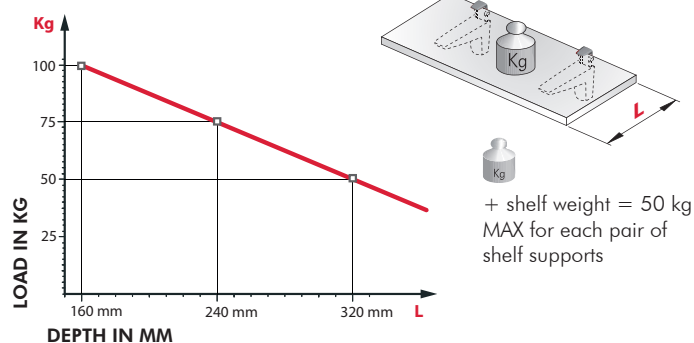


SHELF LOCKING



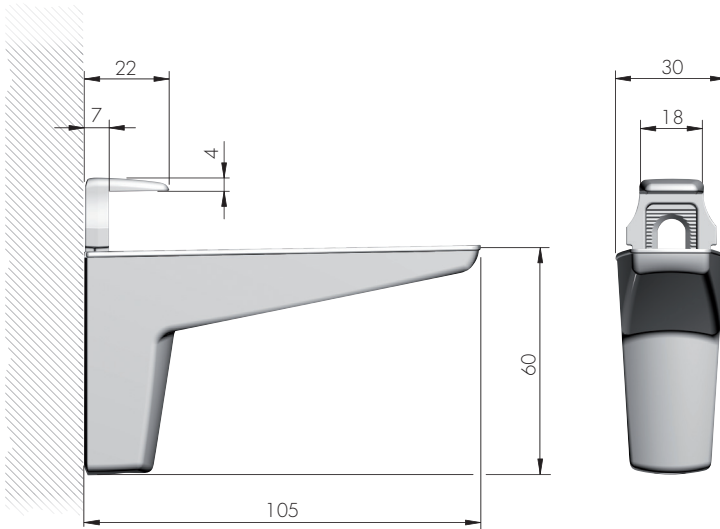
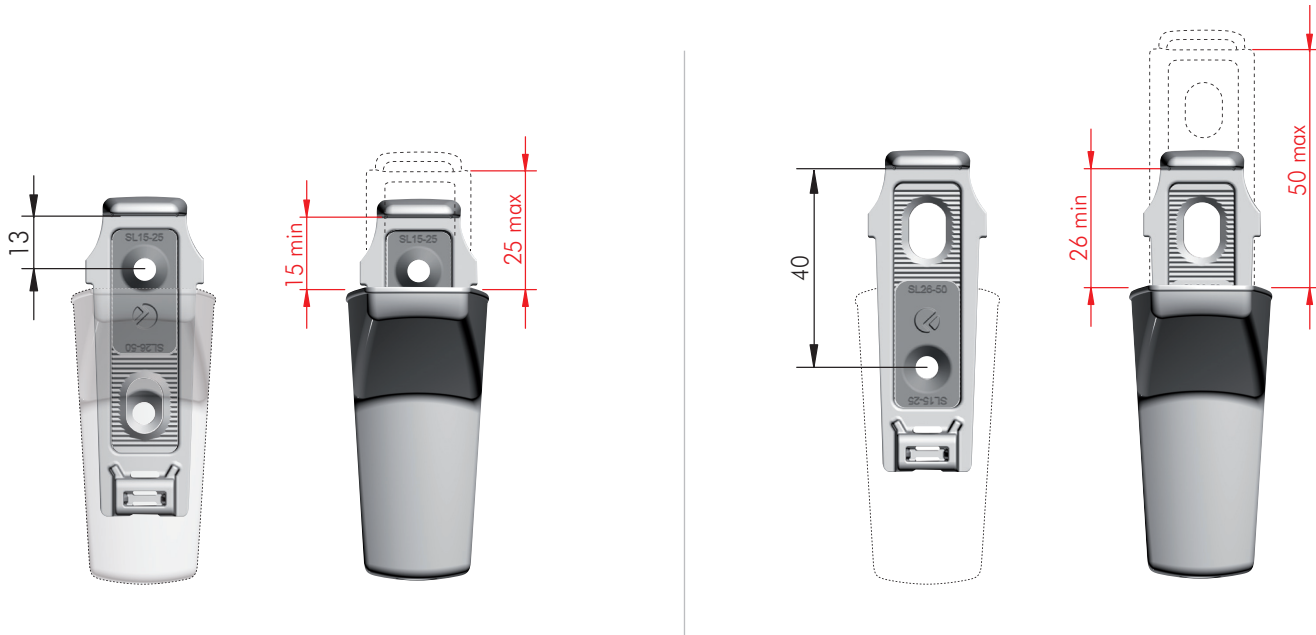
COMBINATION SHELF LOAD AND SHELF DEPTH

(The figures refer to one pair of shelf supports)



POSITION OF THE RIDGE PLATE FOR SHELVES WITH 15 - 25 mm AND 26 - 50 mm THICKNESS

3



	= PH2	
	EPw	
	123	
16226010UZ		
16226010EC		
16226010KB		
		= 24 pairs

NOTE: MOON is supplied in carton box including 2 pieces, accessories and fitting guide. Fixing screws to wall not included.

