



0201003_L211R

BOTTLE TRAP FOR WASHBASIN 1 1/4"

FUNCTION :

Device aimed at draining washbasins and vanity bowls & prevent odor from the waste network

TECHNICAL FEATURES :

Description :

- Bottle trap, adjustable in height
- Color : Black

Materials :

- Body & nuts : Recycled polypropylene
- Washers : EPDM & thermoplastic elastomer

Dimensions :

- Outlet connection : 1"1/4
- Inlet connection : Ø32
- Height adjustment : from 130 to 170mm
- Water seal height : 50 mm

Performance :

- Flow rate : 48 l/min under 120 mm water load height

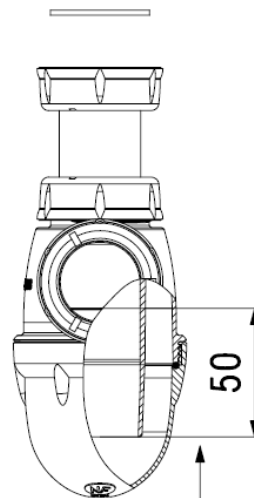
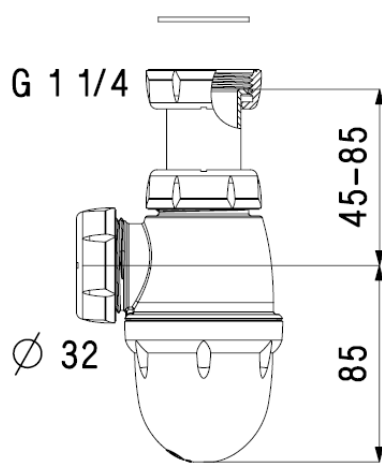


STANDARDS :
NF-EN 274

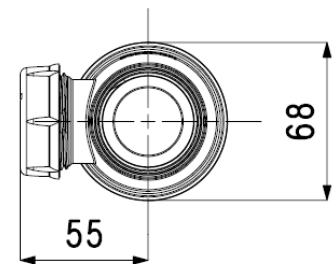


PACKAGING :

Recycled cardboard box



WATER SEAL



JULY 2022

© Nicoll 2022. Nicoll is an Aliaxis company. All rights reserved. Pictures, illustrations not binding.