

Art. 1097 : Servante avec 286 outils KWR

286
PCS

NEU
NOUVEAU
NUOVO

Werkzeugwagen
bestückt

Servante
equipée

Carrello
con utensili



Art.			
1097	2907	7	1.007



200
PCS

	13	4-4.5-5-5.5-6-7-8-9-10-11-12-13-14 mm
	6	6-8-10-11-12-13 mm
		□ 1/4" □ 1/4"
		100 mm
		□ 1/4" □ 1/4"
		□ 1/4" □ 1/4"
	45	Art. 1000

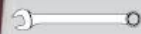
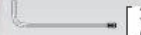

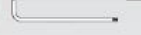




	16	10-11-12-13-14-15-16-17-18 19-21-22-24-27-30-32 mm
	2	16 mm / 21 mm
		□ 1/2" □ 1/2"
	2	125 mm / 250 mm
		□ 3/8" □ 1/2"
		□ 1/2" ○ 5/16"
	45	Art. 1020
		Art. 1110-1 3.2 x 75 mm
		Art. 1110-2 4.0 x 100 mm
		Art. 1110-3 5.0 x 100 mm
		Art. 1110-4 6.0 x 150 mm
		Art. 1110-5 8.0 x 150 mm
		Art. 1112-2 6.0 x 38 mm
		Art. 1115-1 PH1
		Art. 1115-2 PH2
		Art. 1117-2 PH2
		Art. 2138 110-250 V

	4	2-2.5-3-4 mm		Art. 3180
	3	PH00-2xPH0		
	2	PZ00-PZ0		
	6	T6-T7-T8-T9-T10-T15		
	3	1.5-2-2.5 mm		
	3	1.5-2-2.5 mm		
		○ 4 mm		



S2
quality


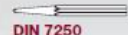

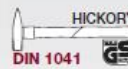








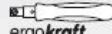
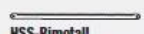





42
PCS

-  20 5.5-6-7-8-9-10-11-12-13-14-15
16-17-18-19-20-21-22-23-24 mm
-   1.5-2-2.5-3-4-5-6-8-10 mm
-  T10-T15-T20-T25-T27-T30-T40-T45-T50
-  Art. 1281-180 180 mm
DIN ISO 5746
-  Art. 1282-160 160 mm
DIN ISO 5749
-  Art. 1285-200 200 mm
DIN ISO 5745
-  Art. 1289-160 160 mm
DIN ISO 5232



CrV

44
PCS

-  Art. 1350-2 2 mm
DIN 6450 Form C Art. 1350-3 3 mm
Art. 1350-4 4 mm
Art. 1350-5 5 mm
Art. 1350-6 6 mm
Art. 1350-8 8 mm
-  Art. 1358-2 No. 2
DIN 7250
-  Art. 3380-18 18 mm
DIN 6451/53 Art. 3380-22 22 mm
-  **HICKORY** Art. 2303
DIN 1041 300 g
-  **HICKORY** Art. 2336
Ø 35 mm
-  Art. 4320-1 320 mm
DIN 7261
-  Art. 4320-2 320 mm
DIN 7261
-  Art. 4320-3 320 mm
DIN 7261
-  Art. 4320-4 320 mm
DIN 7261
-  Art. 4320-5 320 mm
DIN 7261
-  Art. 4321
-  Art. 3305
300 mm
-  **ergokraft** Art. 3308-1
-  **HSS-Bimetall** Art. 3316-24
300 mm
-  Art. 3310
9 mm
-  12x Art. 3313
9 mm
-  Art. 3312
18 mm
-  5x Art. 3314
18 mm
-  **ergokraft** Art. 2240