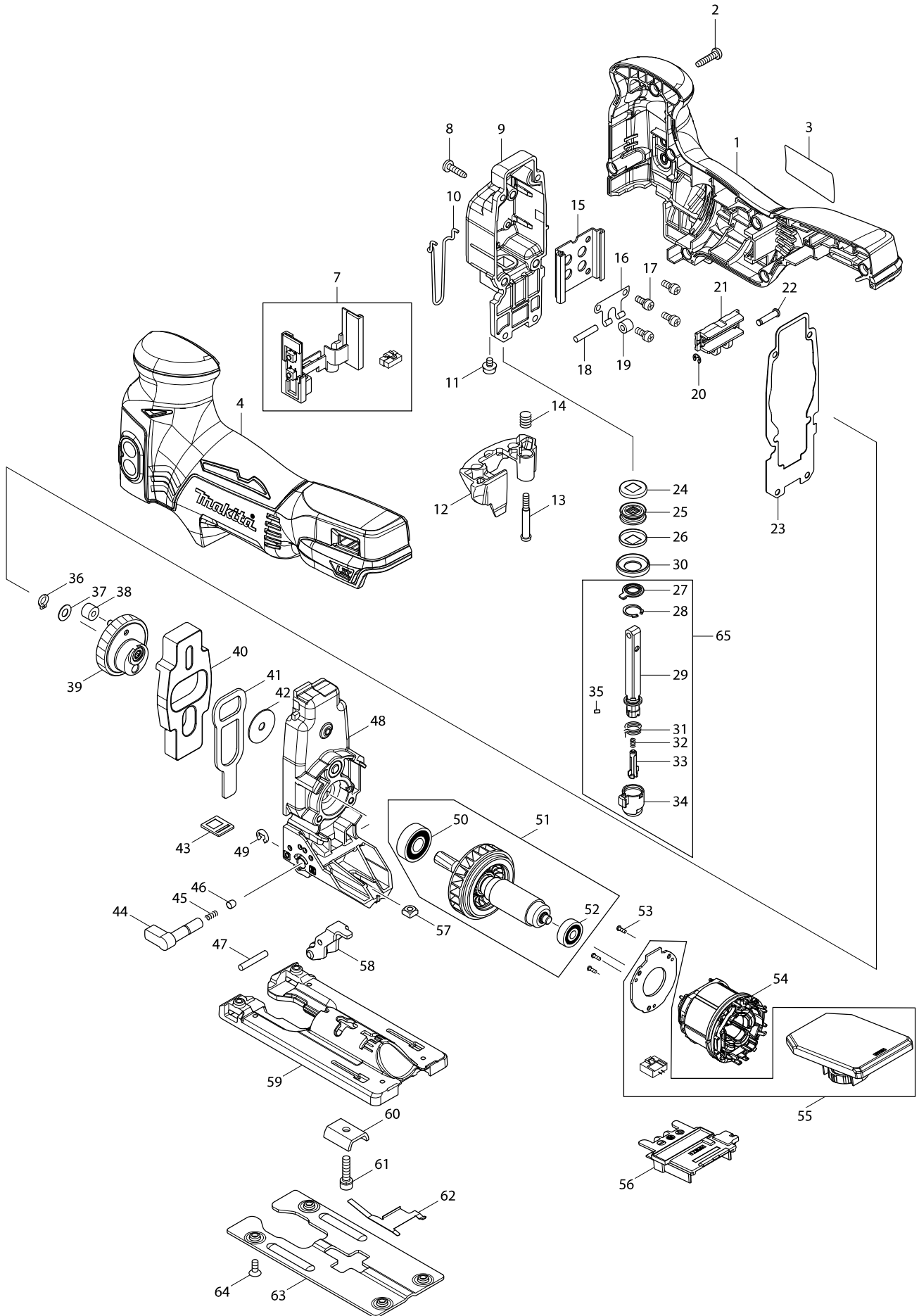


# Numéro du modèle DJV181 CORDLESS JIG SAW



Position	Référence pièce	Description	Echelle	QTE	N/O	Option 1	Option 2	COMMENTAIRE
001	187704-2	HOUSING SET		1				
C10	263005-3	CHEVILLE CAOUTCHOUC 6		2		P2		
C20	801V48-5	SWITCH LABEL		2				
D10		INC. 4						
002	265995-6	VIS 4X18		7		P1		
003	814S24-2	DJV181 NAME PLATE		1				
004	187704-2	HOUSING SET		1				
C10	263005-3	CHEVILLE CAOUTCHOUC 6		2		P2		
C20	801V48-5	SWITCH LABEL		2				
D10		INC. 1						
007	632A96-5	SWITH UNIT		1				
008	266034-5	VIS M4X16		4		P1		
009	142112-4	GEAR HOUSING COVER COMPLETE		1				
010	326302-9	SAFETY WIRE		1				
011	911104-2	VIS M4X6		1		P1		
012	454483-0	TOOL OPENER		1				
013	265026-1	VIS TETE RONDE M4		1		P6		
014	231659-4	RESSORT DE TENSION 6		1		P1		
015	346687-7	LINEAR GUIDE		1				
016	232207-2	RESSORT PLAT		1		P2		
017	911111-5	VIS M4X10		4		P1		
018	256117-9	AXE 4		1		P2		
019	214031-5	COUSSINET 4		1		P2		
020	961017-7	CIRCLIP E3		1		P1		
021	310548-7	SLIDER		1				
022	268090-1	AXE 4		1		P3		
023	442195-7	GASKET		1				
024	267854-0	CAP WASHER 8		1				
025	421815-6	PROTECTION POUSSIERE 8		1				
026	267854-0	CAP WASHER 8		1				
027	424569-4	DUST COVER		1				
028	962063-3	JOINT DE RETENUE R-13		1		P1		
029	165724-6	ROD		1				
030	257347-5	RING 21		1				
031	233591-8	RESSORT DE TORSION 10		1		P1		
032	233314-4	RESSORT BOUDIN 4 6827		1		P1		
033	310485-5	AXE DE BLOCAGE		1		P5		
034	310547-9	BLADE HOLDER		1				
035	256528-8	GOUPILLE 2		1		P1		
036	961002-0	CIRCLIP MOD S EXT 6		1		P2		
037	253715-0	RONDELLE PLATE 6		1		P3		
038A	212014-9	ROULEMENT AIGUILLE 407		1	*	P23		
038B	212014-9	ROULEMENT AIGUILLE 407		1	*	P23		
038C	212014-9	ROULEMENT AIGUILLE 407		1	*	P23		
038D	212014-9	ROULEMENT AIGUILLE 407		1	*	P23		
038-1A	212092-9	NEEDLE BEARING 407	O	1				
038-1B	212092-9	NEEDLE BEARING 407	O	1				
038-1C	212092-9	NEEDLE BEARING 407	O	1				

Position	Référence pièce	Description	Echelle	QTE	N/O	Option 1	Option 2	COMMENTAIRE
038-1D	212092-9	NEEDLE BEARING 407	O	1				
038-1E	212092-9	NEEDLE BEARING 407		1				
039	142109-3	GEAR COMPLETE		1				
040	313260-8	BALANCE PLATE		1				
041	346688-5	PUSH PLATE		1				
042	253196-8	RONDELLE PLATE 6		1		P3		
043	454484-8	SEAL PLATE		1				
044A	272244-4	LEVIER 17		1	*	P8		
044B	272244-4	LEVIER 17		1	*	P8		
044C	272244-4	LEVIER 17		1	*	P8		
044D	272244-4	LEVIER 17		1	*	P8		
044-1A	272280-0	LEVER 17	<	1				
044-1B	272280-0	LEVER 17	<	1				
044-1C	272280-0	LEVER 17	<	1				
044-1D	272280-0	LEVER 17	<	1				
044-1E	272280-0	LEVER 17		1				
045	233139-6	RESSORT BOUDIN 12		1		P2		
046	286032-3	CAPUCHON 4340CT		1		P3		
047	268063-4	AXE 4		1		P3		
048	142111-6	GEAR HOUSING COMPLETE		1				
049	961018-5	CIRCLIP E-5		1		P1		
050	210059-1	ROULEMENT A BILLES 6000RD		1		P20		
051	519329-8	ROTOR ASS'Y		1				
D10		INC. 50,52						
052	210022-4	ROULEMENT A BILLES 626DDW		1		P9		
053	266490-9	TAPPING SCREW PT 2X6		3				
054	629996-2	STATOR		1				
055	620214-1	CONTROLLER		1				
056	643899-6	TERMINAL		1				
057	252171-1	ECROU M5-8		1		P2		
058	142110-8	RETAINER COMPLETE		1				
059	319016-7	BASE		1				
060	345237-5	CALE 4340CT		1		P4		
061	922231-0	VIS HEX CREUSE M5x20		1		P3		
062	232208-0	RESSORT PLAT		1		P2		
063	346685-1	BASE PLATE		1				
064	265085-5	VIS TETE FRAISEE M4X8		4		P1		
065	135602-4	ROD ASS'Y		1				
D10		INC. 27-29,31-35						
A01	126331-0	DUST NOZZLE ASSEMBLY		1				
A02	415524-7	PARE ECLATS		1		P3		
A03	417852-6	PLAQUE COUVERCLE 4340CT		1		P6		
A04	A-85737	LAME B22 50-1,00 (PL,AL,OX)		1		A10		
A05	A-85628	LAME B10 80-2,80 (BO,PL)		1		A13		
A06	A-85793	LAME BR13 BOIS 62-3,00 5P		1		A9		
A07	783202-0	CLE BTR 4		1		A11		
A08B	821551-8	COFFRET MAKPAC3		1		A30		
C10	453974-8	LOQUET		4		P1		

Position	Référence pièce	Description	Echelle	QTE	N/O	Option 1	Option 2	COMMENTAIRE
A08C	821551-8	COFFRET MAKPAC3		1		A30		
C10	453974-8	LOQUET		4		P1		
A08D	821551-8	COFFRET MAKPAC3		1		A30		
C10	453974-8	LOQUET		4		P1		
A08E	821551-8	COFFRET MAKPAC3		1		A30		
C10	453974-8	LOQUET		4		P1		
A09B	837789-5	INNER TRAY		1				
A09C	837789-5	INNER TRAY		1				
A09D	837789-5	INNER TRAY		1				
A09E	837789-5	INNER TRAY		1				
A10B	801Y30-2	DJV181ZJ PLASTIC CASE LABEL		2				
A10C	801Y34-4	DJV181RFJ PLASTIC CASE LABEL		2				
A10D	801Y42-5	DJV181RMJ PLASTIC CASE LABEL		2				
A10E	804H94-3	DJV181RTJ PLASTIC CASE LABEL		2				
A11B	801Y29-7	DJV181ZJ INDICATION LABEL		1				
A11C	***DC18RC	DC18RC FAST CHARGER		1				
A11D	***DC18RC	DC18RC FAST CHARGER		1				
A11E	***DC18RC	DC18RC FAST CHARGER		1				
A12C	194204-5	ACCU LI-ION BL1830 18V/3.0AH		2	*			
A12D	196399-0	BATTERIE BL1840 SET 18V 4A		2	*	A78		
A12E	196671-0	BATTERY BL1850 SET		2	*			
A12-1C	194204-5	ACCU LI-ION BL1830 18V/3.0AH	O	2				
A12-1D	196399-0	BATTERIE BL1840 SET 18V 4A	O	2		A78		
A12-1E	196671-0	BATTERY BL1850 SET	O	2				
A13C	450128-8	BATTERY COVER		1		P1		
A13D	450128-8	BATTERY COVER		1		P1		
A13E	450128-8	BATTERY COVER		1		P1		
A14C	801Y33-6	DJV181RFJ INDICATION LABEL		1				
A14D	801Y41-7	DJV181RMJ INDICATION LABEL		1				
A14E	804H93-5	DJV181RTJ INDICATION LABEL		1				