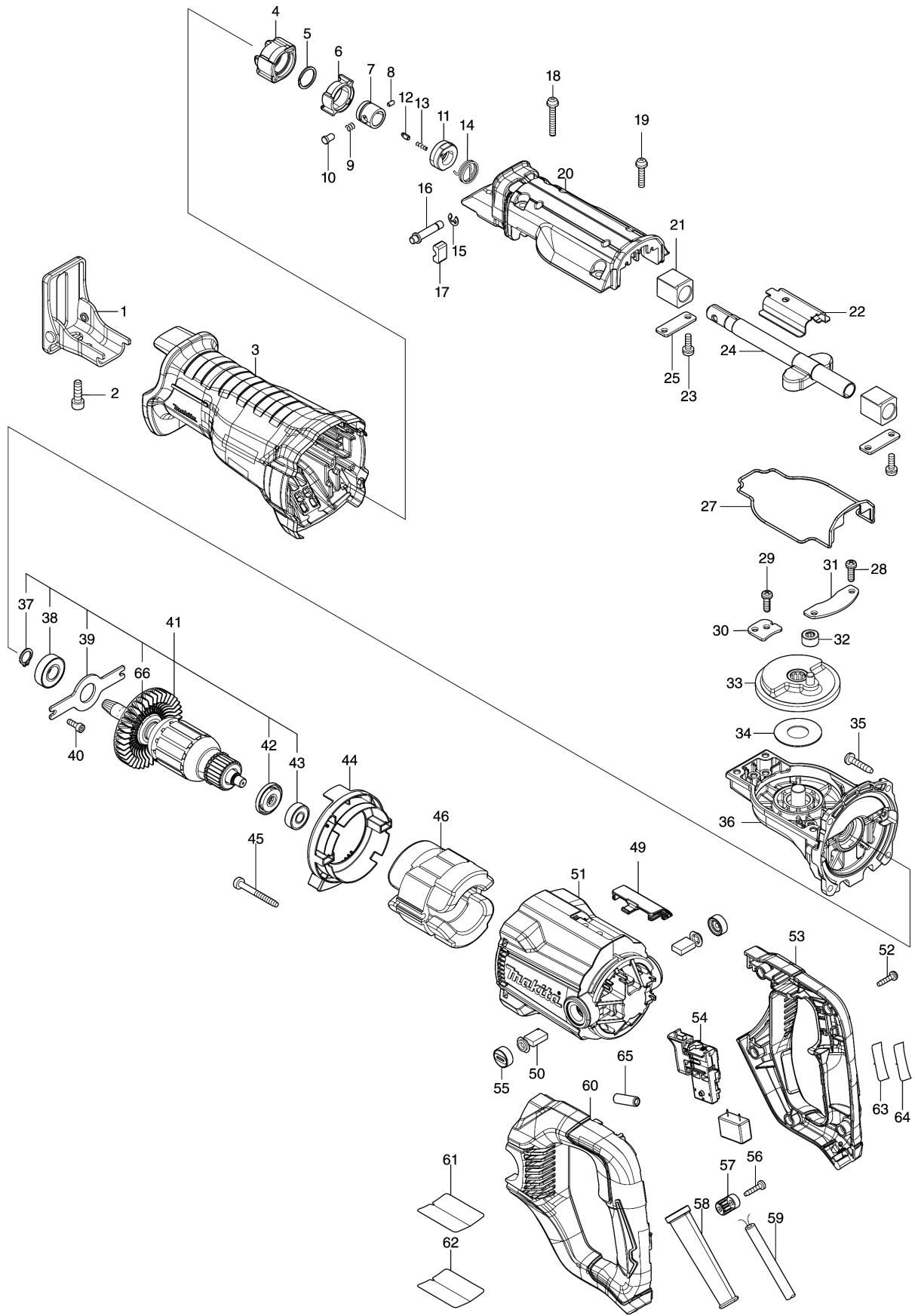


Model No. JR3051T RECIPRO SAW



Model No.JR3051T RECIPRO SAW

| Position | Référence pièce | Description | Echange | QTE | New/Old | Option 1 | Option 2 | COMMENTAIRE |
|----------|-----------------|-----------------------------|---------|-----|---------|----------|----------|-------------|
| 001 | 162704-3 | SHOE | | 1 | | | | |
| 002 | 265844-7 | HEX. SOCKET HEAD BOLT M6X20 | | 1 | | 0 | P1 | |
| 003 | 422537-1 | INSULATION COVER | | 1 | | | | |
| 004 | 422223-4 | PROTECTOR | | 1 | | | | |
| 005 | 257430-8 | RETAINING RING(EXT)18 | | 1 | | | | |
| 006 | 310848-5 | DRIVING SLEEVE | | 1 | | | | |
| 007 | 327043-0 | GUIDE SLEEVE | | 1 | | | | |
| 008 | 268094-3 | PIN 3 | | 1 | | 0 | P3 | |
| 009 | 234381-2 | COMPRESSION SPRING 6 | | 1 | | | | |
| 010 | 256569-4 | SHOULDER PIN 5 | | 1 | | | | |
| 011 | 458968-8 | CONNECTING SLEEVE | | 1 | | | | |
| 012 | 310912-2 | PUSH PIN | | 1 | | | | |
| 013 | 232472-3 | COMPRESSION SPRING 2 | | 1 | | | | |
| 014 | 233594-2 | TORSION SPRING 17 | | 1 | | 0 | P1 | |
| 015 | 961018-5 | STOP RING E-5 | | 1 | | 0 | P1 | |
| 016 | 256934-7 | COLLARED PIN 6 | | 1 | | | | |
| 017 | 327441-8 | BLOCK | | 1 | | | | |
| 018 | 911258-5 | PAN HEAD SCREW M5X35 | | 2 | | 0 | P1 | |
| 019 | 911243-8 | PAN HEAD SCREW M5X25 | | 2 | | 0 | P1 | |
| 020 | 140R13-8 | GEAR HOUSING COVER COMPLETE | | 1 | | | | |
| C10 | 213174-0 | X RING 14 | | 1 | | 2 | P8 | |
| 021 | 214169-6 | PLANE BEARING 14 | | 2 | | | P3 | |
| 022 | 347596-3 | SLIDE PLATE | | 1 | | | | |
| 023 | 911225-0 | PAN HEAD SCREW M5X16 | | 4 | | 0 | P1 | |
| 024 | 162705-1 | SLIDER | | 1 | | | | |
| 025 | 341462-6 | PLATE | | 2 | | 65 | P2 | |
| 027 | 422538-9 | SEAL RING | | 1 | | | | |
| 028 | 911225-0 | PAN HEAD SCREW M5X16 | | 2 | | 0 | P1 | |
| 029 | 911225-0 | PAN HEAD SCREW M5X16 | | 2 | | 0 | P1 | |
| 030 | 347597-1 | GEAR PLATE A | | 1 | | | | |
| 031 | 346715-8 | GEAR PLATE | | 1 | | | P1 | |
| 032 | 212959-1 | NEEDLE BEARING 708 | | 1 | | 1 | P5 | |
| 033 | 140R15-4 | GEAR COMPLETE | | 1 | | | | |
| 034 | 267290-0 | FLAT WASHER 18 | | 1 | | 0 | P1 | |
| 035 | 266459-3 | TAPPING SCREW 5X25 | | 4 | | 0 | P1 | |
| 036 | 140R12-0 | GEAR HOUSING COMPLETE | | 1 | | | | |
| 037 | 961052-5 | RETAINING RING S-12 | | 1 | | 65 | P1 | |
| 038 | 211131-2 | BALL BEARING 6001DDW | | 1 | * | 8 | P18 | |
| 038-1 | 210105-0 | BALL BEARING 6001LLU | < | 1 | | 2 | P7 | |
| 039 | 285036-2 | BEARING RETAINER 80 | | 1 | | | | |
| 040 | 265353-6 | HEX. SOCKET HEAD BOLT M4X12 | | 2 | | 0 | P1 | |
| 041 | 511A03-0 | ARMATURE ASS'Y 220-240V | | 1 | | | | |
| D10 | | INC. 37-39,42,43,66 | | | | | | |

Please order the parts with part number.

Print Date 19/12/2019

Model No. JR3051T RECIPRO SAW

| Position | Référence pièce | Description | Echange | QTE | New/Old | Option 1 | Option 2 | COMMENTAIRE |
|----------|-----------------|-------------------------------|---------|-----|---------|----------|----------|-------------|
| 042 | 681644-1 | INSULATION WASHER | | 1 | | 65 | P2 | |
| 043 | 210029-0 | BALL BEARING 608ZZ | | 1 | | 65 | P2 | |
| 044 | 459919-4 | BAFFLE PLATE | | 1 | | | | |
| 045 | 266056-5 | TAPPING SCREW 5X45 | | 2 | | 0 | P3 | |
| 046 | 521894-5 | FIELD ASS'Y 240V | | 1 | | | | |
| C10 | 654020-2 | RING TERMINAL | | 2 | | 1 | P1 | |
| C20 | 654501-6 | CONNECTOR P-1.25 | | 2 | | 0 | P3 | |
| 049 | 459920-9 | HOOK COVER | | 1 | | | | |
| 050 | 191963-2 | CARBON BRUSH CB-303 | | 1 | | 9 | P12 | |
| 051 | 140R14-6 | MOTOR HOUSING COMPLETE | | 1 | | | | |
| C10 | 644501-4 | BRUSH HOLDER 5X11 | | 2 | | | P67 | |
| 052 | 266326-2 | TAPPING SCREW 4X18 | | 5 | | 65 | P2 | |
| 053 | 183N40-8 | HANDLE SET | | 1 | | | | |
| D10 | | INC. 60 | | | | | | |
| 054 | 651374-8 | SWITCH C3VT-2L-C-H50 | | 1 | | | | |
| 055 | 643750-0 | BRUSH HOLDER CAP 7-11 | | 2 | | 0 | P3 | |
| 056 | 266326-2 | TAPPING SCREW 4X18 | | 2 | | 65 | P2 | |
| 057 | 687124-5 | STRAIN RELIEF | | 1 | | 0 | P1 | |
| 058 | 682574-9 | CORD GUARD 10-90 | | 1 | | 0 | P1 | |
| 059 | 665890-4 | POWER SUPPLY CORD 1.0-2-4.0 | | 1 | | 13 | P23 | |
| 060 | 183N40-8 | HANDLE SET | | 1 | | | | |
| D10 | | INC. 53 | | | | | | |
| 061 | 856M49-4 | JR3051T NAME PLATE | | 1 | | | | |
| 062 | 807G78-4 | CLEAR LABEL | | 1 | | | | |
| 063 | 856M54-1 | JR3051T SERIAL NO. LABEL | | 1 | | | | |
| 064 | 8010T0-1 | CLEAR LABEL | | 1 | | | | |
| 065 | 688165-4 | LINE FILTER | | 1 | | 0 | P1 | |
| 066 | 241863-7 | FAN 70 | | 1 | | 4 | P13 | |
| 067 | 253804-1 | FLAT WASHER 6 | | 1 | | 65 | P2 | |
| A02 | 821795-0 | PLASTIC CASE | | 1 | | | | |
| C10 | 162315-4 | LATCH | | 2 | | 0 | A3 | |
| A03 | 8007C1-9 | JR3051TK MODEL NO. LABEL | | 1 | | | | |
| A04 | B-05038 | RECIPRO SAW BLADE FOR METAL | | 1 | | 10 | A22 | |
| A05 | B-05044 | RECIPRO SAW BLADE FOR PLYWOOD | | 1 | | 10 | A22 | |
| A06 | B-05153 | RECIPRO SAW BLADE FOR WOOD | | 1 | | 10 | A22 | |

Please order the parts with part number.

Print Date 19/12/2019