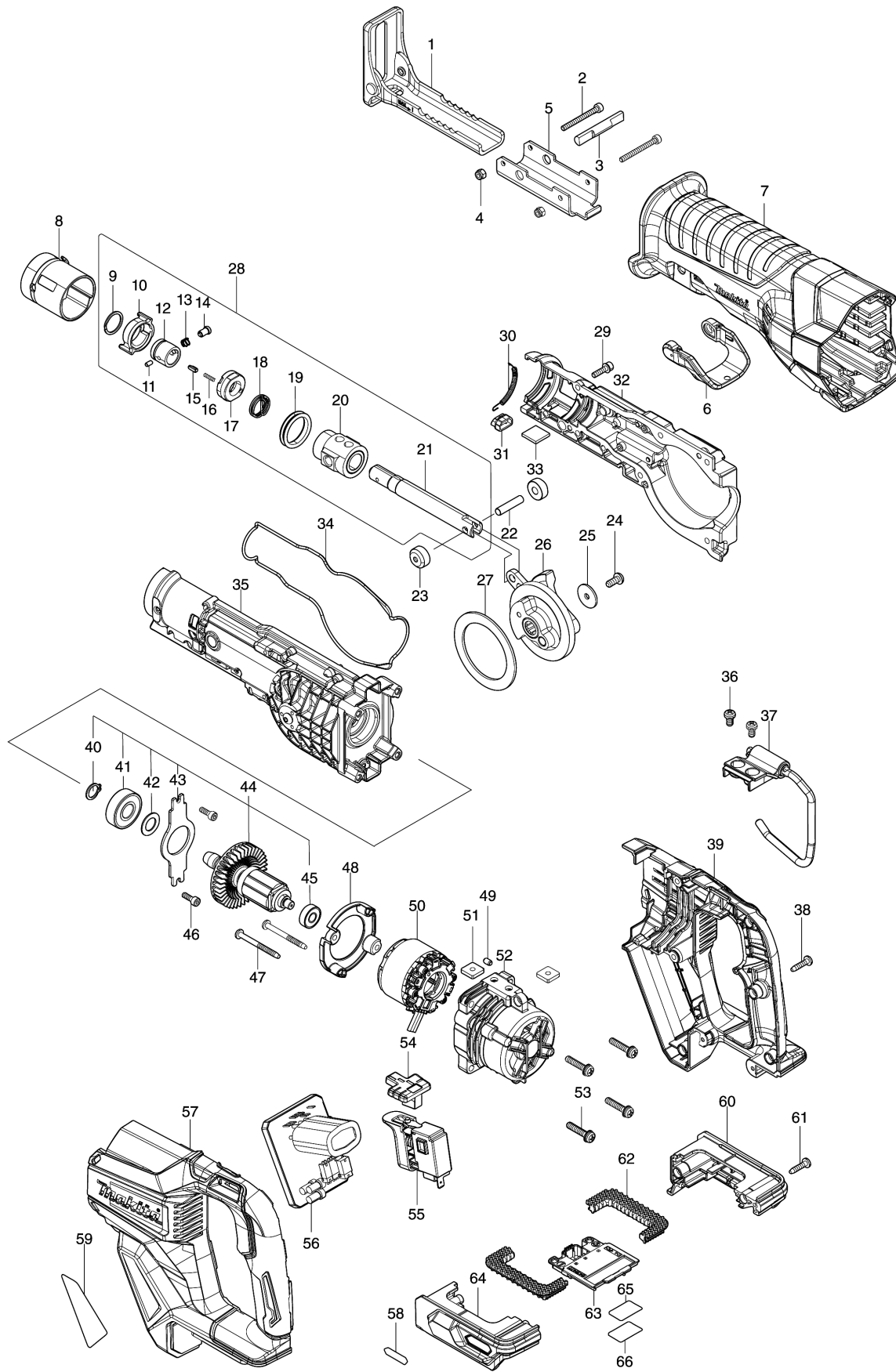


Model No. JR001G CORDLESS RECIPRO SAW



Model No. JR001G CORDLESS RECIPRO SAW

Position	Référence pièce	Description	Echange	QTE	New/Old	Option 1	Option 2	COMMENTAIRE
001	162739-4	SHOE		1				
002	265A78-8	HEX SOCKET HEAD BOLT M4X40		2				
003	326599-0	LOCK PIN		1			P5	
004	252126-6	HEX. LOCK NUT M4-7		2		65	P2	
005	347637-5	SHOE GUIDE PLATE		1				
006	459924-1	LOCK LEVER		1				
007	422542-8	INSULATION COVER		1				
008	459923-3	RELEASE DRUM		1				
009	257430-8	RETAINING RING(EXT)18		1				
010	310848-5	DRIVING SLEEVE		1				
011	268094-3	PIN 3		1		0	P3	
012	327043-0	GUIDE SLEEVE		1	*			
012-1	327650-9	GUIDE SLEEVE	S	1				
013	234381-2	COMPRESSION SPRING 6		1				
014	256569-4	SHOULDER PIN 5		1				
015	310912-2	PUSH PIN		1				
016	232472-3	COMPRESSION SPRING 2		1				
017	458968-8	CONNECTING SLEEVE		1				
018	233594-2	TORSION SPRING 17		1		0	P1	
019	422309-4	RUBBER RING 25		1				
020	140P52-6	SLIDER GUIDE COMPLETE		1				
C10	213174-0	X RING 14		1		2	P8	
021	327154-1	SLIDER		1	*			
021-1	327652-5	SLIDER	S	1				
022	256945-2	PIN 6		1				
023	310991-0	ROLLER		2				
024	265374-8	H.S. BUTTON HEAD SCREW M5X12		1				
025	253462-3	FLAT WASHER 5		1				
026	140P53-4	GEAR COMPLETE		1				
027	253463-1	FLAT WASHER 51		1				
028	136224-3	SLIDER ASS'Y		1				
D10		INC. 9-21						
029	922128-3	HEX. SOCKET HEAD BOLT M4X16		6		0	P1	
030	232583-4	TENSION SPRING 3		1				
031	620C32-5	LED CIRCUIT		1				
032	140P51-8	GEAR HOUSING R COMPLETE		1				
033	424858-7	FELT 16X16		1			P1	
034	422541-0	SEAL RING		1				
035	140P50-0	GEAR HOUSING L COMPLETE		1				
036	911206-4	PAN HEAD SCREW M5X10		2		0	P1	
037	127468-6	HOOK ASSEMBLY		1				
038	266326-2	TAPPING SCREW 4X18		6		65	P2	

Please order the parts with part number.

Print Date 31/1/2020

Model No.JR001G CORDLESS RECIPRO SAW

Position	Référence pièce	Description	Echange	QTE	New/Old	Option 1	Option 2	COMMENTAIRE
039	183N57-1	HANDLE SET		1				
D10		INC. 57						
040	961052-5	RETAINING RING S-12		1		65	P1	
041	211129-9	BALL BEARING 6201DDW		1		45	P19	
042	253744-3	FLAT WASHER 12		1		0	P3	
043	285038-8	BEARING RETAINER 80		1				
044	510447-5	ROTOR ASS'Y		1				
D10		INC. 40-43,45						
045	210062-2	BALL BEARING 607ZZ		1		65	P2	
046	922117-8	HEX. SOCKET HEAD BOLT M4X12		2		0	P1	
047	266425-0	TAPPING SCREW 4X45		2		0	P1	
048	456178-1	BAFFLE PLATE		1			P1	
049	263002-9	RUBBER PIN 4		1		0	P1	
050	629470-0	STATOR		1				
051	264002-2	SQUARE NUT M5		2		0	P1	
052	412476-3	MOTOR HOUSING		1				
053	911243-8	PAN HEAD SCREW M5X25		4		0	P1	
054	456177-3	CHANGE BUTTON		1			P3	
055	651439-6	SWITCH C3JR-4B-2		1				
056	620C31-7	CONTROLLER		1				
057	183N57-1	HANDLE SET		1				
D10		INC. 39						
058	8005T5-8	XGT LOGO LABEL		1				
059	856P39-5	JR001G NAME PLATE		1				
060	183N58-9	BATTERY HOUSING SET		1				
C10	263005-3	RUBBER PIN 6		2		65	P2	
D10		INC. 64						
061	266326-2	TAPPING SCREW 4X18		2		65	P2	
062	422543-6	CUSHION RUBBER		2				
063	632P49-4	TERMINAL UNIT		1				
064	183N58-9	BATTERY HOUSING SET		1				
C10	263005-3	RUBBER PIN 6		2		65	P2	
D10		INC. 60						
065	856P46-8	JR001G SERIAL NO. LABEL		1				
066	8008P3-2	CLEAR LABEL		1				
A01	B-05038	RECIPRO SAW BLADE FOR METAL		1		10	A22	
A02	B-05044	RECIPRO SAW BLADE FOR PLYWOOD		1		10	A22	
A03	B-05153	RECIPRO SAW BLADE FOR WOOD		1		10	A22	
A04B	821796-8	PLASTIC CASE		1				
C10	162271-8	LATCH		2		0	A3	
A04C	821796-8	PLASTIC CASE		1				
C10	162271-8	LATCH		2		0	A3	
A05B	***DC40RA	DC40RA FAST CHARGER		1				

Please order the parts with part number.

Print Date 31/1/2020

Model No. JR001G CORDLESS RECIPRO SAW

Position	Référence pièce	Description	Echange	QTE	New/Old	Option 1	Option 2	COMMENTAIRE
D10		COMPO-PARTS						
A05C	***DC40RA	DC40RA FAST CHARGER		1				
D10		COMPO-PARTS						
A06B	412393-7	BATTERY COVER		1				
A06C	412393-7	BATTERY COVER		1				
A07B	191B36-3	BATTERY BL4025 SET		2				
A07C	191B26-6	BATTERY BL4040 SET		2				

Please order the parts with part number.

Print Date 31/1/2020