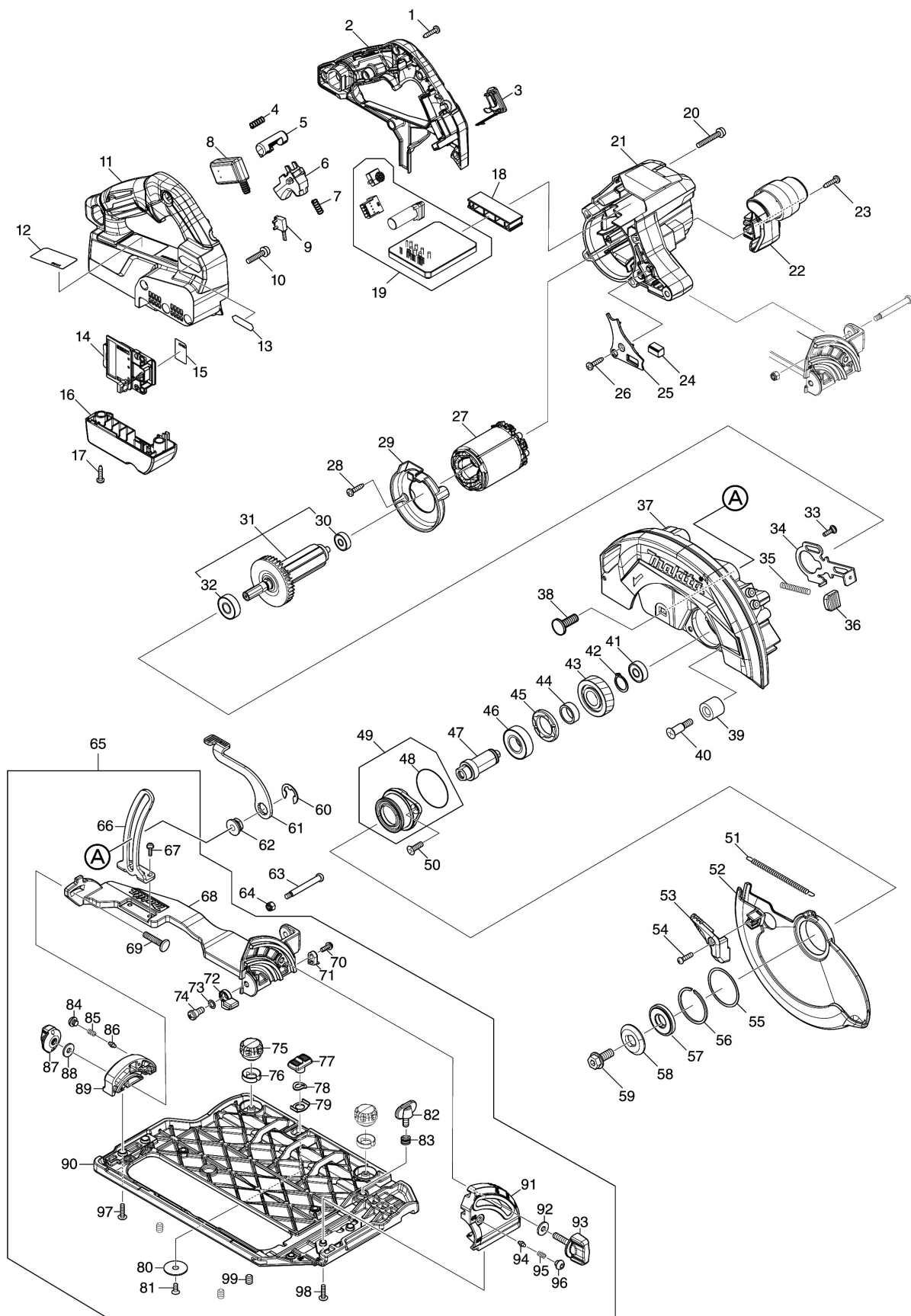


Model No.HS004G 185MM CORDLESS CIRCULAR SAW



Model No.HS004G 185MM CORDLESS CIRCULAR SAW

Position	Référence pièce	Description	Echange	QTE	New/Old	Option 1	Option 2	COMMENTAIRE
001	266326-2	VIS 4x18		6		65	P2	
002	183R15-1	HANDLE SET		1				
C10	263005-3	CHEVILLE CAOUTCHOUC 6		1		65	P2	
D10		INC. 11						
003	140F99-0	CAP COMPLETE		1				
C10	213218-6	O'RING 16		1		65	P1	
C20	818H07-8	CAP LABEL		1				
004	231433-0	RESSORT 4		1		0	P1	
005	419704-7	BOUTON DE BLOCAGE		1		65	P2	
006	458594-3	SWITCH LEVER		1				
007	231433-0	RESSORT 4		1		0	P1	
008	651083-9	INTERRUPTEUR C3XA-1PSPM		1				
009	632M92-5	SWITCH UNIT		1				
010	911243-8	VIS TETE RONDE M5X25		3		0	P1	
011	183R15-1	HANDLE SET		1				
C10	263005-3	CHEVILLE CAOUTCHOUC 6		1		65	P2	
D10		INC. 2						
012	857E51-2	HS004G NAME PLATE		1				
013	8012U4-2	XGT LOGO LABEL		1				
014	632P65-6	TERMINAL UNIT		1				
015	857E58-8	HS004G SERIAL NO. LABEL		1				
016	140S46-9	TERMINAL HOUSING COMPLETE		1				
C10	263005-3	CHEVILLE CAOUTCHOUC 6		1		65	P2	
017	266326-2	VIS 4x18		2		65	P2	
018	412480-2	SPACER		1				
019	620D01-2	CONTROLLER		1				
020	911258-5	VIS M5X35		4		0	P1	
021	458746-6	MOTOR HOUSING		1				
022	458750-5	FRONT GRIP		1				
023	266326-2	VIS 4x18		1		65	P2	
024	620936-3	LED CIRCUIT		1				
025	458751-3	LIGHT COVER		1				
026	266326-2	VIS 4x18		1		65	P2	
027	629479-2	STATOR		1				
028	266326-2	VIS 4x18		2		65	P2	
029	458749-0	BAFFLE PLATE		1				
030	210022-4	ROULEMENT A BILLES 626DDW		1		2	P90	
031	519534-7	ROTOR ASSY		1				
D10		INC. 30,32						
032	210059-1	ROULEMENT A BILLES 6000RD		1		1	P20	
033	251529-1	+ PAN HEAD SCREW M4X14		1				
034	347676-5	SHAFT LOCK		1				
035	233084-5	RESSORT 6		1		0	P1	

Please order the parts with part number.

Print Date 23/7/2020

Model No.HS004G 185MM CORDLESS CIRCULAR SAW

Position	Référence pièce	Description	Echange	QTE	New/Old	Option 1	Option 2	COMMENTAIRE
036	286039-9	CAPOT		1				
037	140S42-7	BLADE CASE COMPLETE		1				
C10	213434-0	O RING 26		1		65	P1	
C20	263005-3	CHEVILLE CAOUTCHOUC 6		1		65	P2	
C30	818C45-0	SCALE LABEL		1				
038	266396-1	VIS M8X24		1		0	P1	
039	262185-2	RUBBER SLEEVE8		1				
040	251572-0	+ COUNTERSUNK HEAD SCREW M6X30		1				
041	210029-0	ROULEMENT A BILLE 608ZZ		1		65	P2	
042	961057-5	CIRCLIP MOD S EXT 17		1		0	P1	
043	226838-7	HELICAL GEAR 37		1				
044	257451-0	RING 17		1				
045	285809-3	APP 23-36-ROULT <4510		1		1	P6	
046	210301-0	ROULEMENT A BILLES 6003DDW		1		2	P7	
047	327192-3	SPINDLE		1				
048	213565-5	O'RING 42 LS0714FL		1		0	P1	
049	136021-7	BEARING BOX ASSY		1				
D10		INC. 48						
050	265034-2	VIS TETE FRAISEE M5		2		65	P2	
051	232467-6	TENSION SPRING 4		1				
052	319970-5	SAFETY COVER		1				
053	271450-8	LEVER 37		1				
054	265178-8	VIS M4X16		1			P1	
055	267337-0	RONDELLE PLATE		1		0	P1	
056	257452-8	RETAINING RING (EXT) WR-40		1				
057	224593-5	FLASQUE INTERR 35		1				
058	224409-4	FLASQUE EXTERIEURE 35		1		0	P3	
059	266283-4	VIS HEX M8 X 20		1		0	P1	
060	257953-6	ANNEAU E-12		1		0	P1	
061	271460-5	LEVER 90		1				
062	252262-8	COLLERED HEX. NUT M8		1				
063	265118-6	VIS M5		1		0	P1	
064	252103-8	ECROU HEX M5-8		1		65	P2	
065	136280-3	BASE ASSY		1				
D10		INC. 66-99						
066	347532-9	DEPTH GUIDE		1				
067	911516-9	VIS TETE RONDE M4X12		2		0	P3	
068	319975-5	FRAME		1				
069	251920-3	VIS COLLET CARRE M6X20-30		1		0	P3	
070	911118-1	VIS TETE RONDE M4X12		1		0	P1	
071	419632-6	PLAQUE DE POSITION		1		65	P2	
072	319978-9	STOPPER		1				
073	213026-5	O'RING 7		1		0	P1	

Please order the parts with part number.

Print Date 23/7/2020

Model No.HS004G 185MM CORDLESS CIRCULAR SAW

Position	Référence pièce	Description	Echange	QTE	New/Old	Option 1	Option 2	COMMENTAIRE
074	251267-5	VIS TETE RONDE M6		1		65	P2	
075	265775-0	VIS M4X3		2		0	P1	
076	419627-9	SUPPORT		2		65	P2	
077	458092-7	LEVIER		1				
078	253932-2	RONDELLE FREIN 10		1		0	P1	
079	345977-5	PLAQUE		1		0	P1	
080	345748-0	RONDELLE		1		0	P3	
081	912112-6	VIS TETE FRAISEE M4X10		1		0	P1	
082	265701-9	VIS M6X14 =>265726-3		1			P12	
083	233376-2	RESSORT		1		0	P1	
084	266559-9	H.S.BUTTON HEAD BOLT M6X4		1				
085	231234-6	RESSORT 3,5 BO6040		1		0	P1	
086	263041-9	SHOULDER PIN 3-5		1				
087	252270-9	THUMB NUT M6		1				
088	253111-2	RONDELLE PLATE 6 (3014)		1		65	P2	
089	319977-1	REAR ANGULAR PLATE		1				
090	319974-7	BASE		1				
091	319976-3	FRONT ANGULAR PLATE		1				
092	253111-2	RONDELLE PLATE 6 (3014)		1		65	P2	
093	265776-8	VIS PAILLON M6X26		1		65	P2	
094	263041-9	SHOULDER PIN 3-5		1				
095	231234-6	RESSORT 3,5 BO6040		1		0	P1	
096	266559-9	H.S.BUTTON HEAD BOLT M6X4		1				
097	265174-6	+ TRUSS HEAD SCREW M4X16		2				
098	265174-6	+ TRUSS HEAD SCREW M4X16		2				
099	266225-8	VIS M6X8		3		0	P1	
A01	196520-1	BUSE ASPIRATION		1			P10	
A02	B-64185	TCT BLADE190X24T WOOD EFFICUT		1				
A03	783204-6	CLE BTR 6		1		1	A6	
A06B	198900-7	WIRELESS UNIT SET		1				
A06C	198900-7	WIRELESS UNIT SET		1				
A07C	412393-7	BATTERY COVER		2				
A08C	191B26-6	BATTERY BL4040 SET		2				
A09C	***DC40RA	DC40RA FAST CHARGER		1				
D10		COMPO-PARTS						
A10B	821552-6	COFFRET MAKPAC4		1		4	A31	
C10	453974-8	LOQUET		4		0	P1	
A10C	821552-6	COFFRET MAKPAC4		1		4	A31	
C10	453974-8	LOQUET		4		0	P1	
A11B	8015L7-1	HS004GZ03 INDICATION LABEL		1				
A11C	8015M6-0	HS004GM202 INDICATION LABEL		1				

Please order the parts with part number.

Print Date 23/7/2020

Model No.HS004G 185MM CORDLESS CIRCULAR SAW

Position	Référence pièce	Description	Echange	QTE	New/Old	Option 1	Option 2	COMMENTAIRE
A12B	8015L8-9	HS004GZ03 PLASTIC CASE LABEL		2				
A12C	8015M7-8	HS004GM202 PLASTIC CASE LABEL		2				
A13B	835K82-7	INNER TRAY		1				
A13C	835K82-7	INNER TRAY		1				
A14	164095-8	GUIDE PARALLELE		1		2	A9	

Please order the parts with part number.

Print Date 23/7/2020