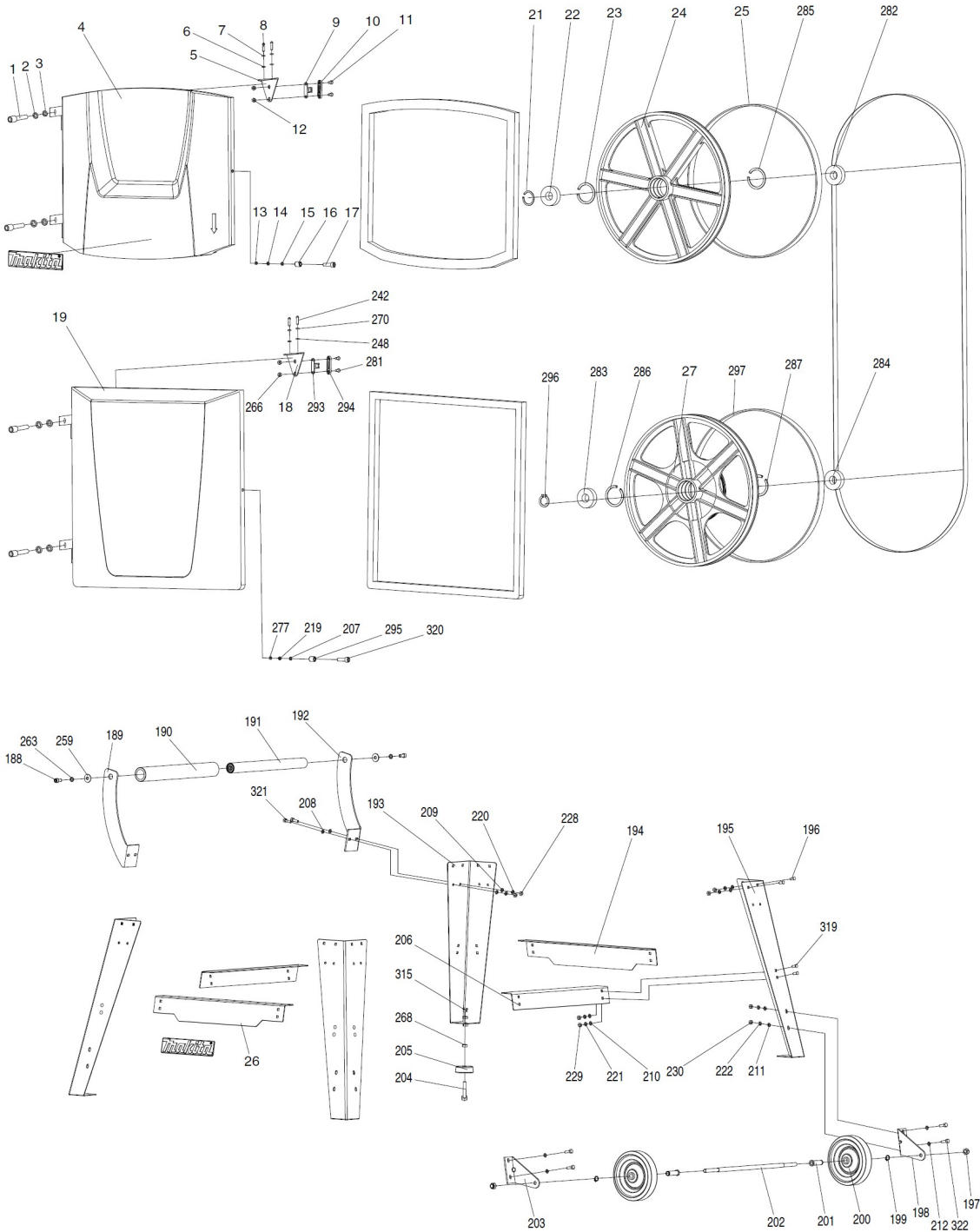


# LB1200F

## Scie à Ruban Stationnaire

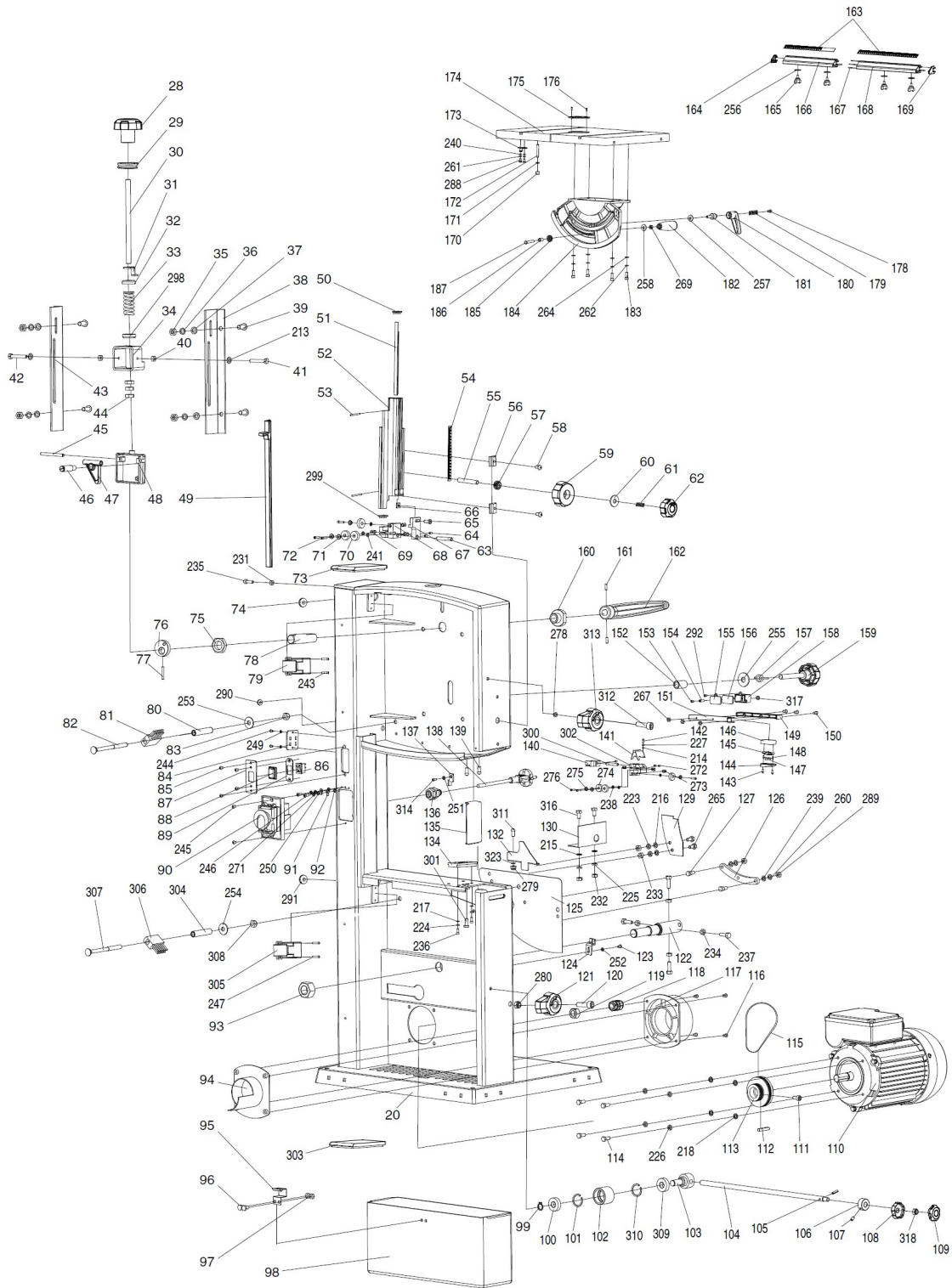
Date 07/10/2010 Page 1 / 9



# LB1200F

## Scie à Ruban Stationnaire

Date 07/10/2010 Page 2 / 9



2010/06  
LB1200F 2/2

# LB1200F

## Scie à Ruban Stationnaire

Date 07/10/2010 Page 3/ 9



| Item | Parts_No.  | Parts_Description       | Qty | T_Information |
|------|------------|-------------------------|-----|---------------|
| 1    | JM21000018 | VIS HEX M5X12           | 4   |               |
| 2    | JM21000019 | SPRING WASHER 5         | 4   |               |
| 3    | JM21000020 | FLAT WASHER 5           | 4   |               |
| 4    | JM21000021 | CARTER SUPERIEUR CPL    | 1   |               |
| 4    | JM21000024 | MAKITA LOGO LABEL       | 1   |               |
| 4    | JM21000022 | CARTER SUPERIEUR        | 1   |               |
| 4    | JM21000023 | EPONGE                  | 1   |               |
| 5    | JM21000025 | PLAQUE DE FIXATION A    | 1   |               |
| 6    | JM21000026 | RONDELLE 4              | 2   |               |
| 7    | JM21000027 | RONDELLE 4              | 2   |               |
| 8    | JM21000028 | VIS M4X10               | 2   |               |
| 9    | JM21000029 | BOUTON D'INTERRUPTEUR   | 1   |               |
| 10   | JM21000030 | FIXATION D'INTERRUPTEUR | 1   |               |
| 11   | JM21000031 | VIS M4X12               | 2   |               |
| 12   | JM21000032 | ECROU M4                | 2   |               |
| 13   | JM21000033 | ECROU M6                | 1   |               |
| 14   | JM21000034 | RONDELLE 6              | 1   |               |
| 15   | JM21000035 | RONDELLE 6              | 1   |               |
| 16   | JM21000036 | ENTRETOISE              | 1   |               |
| 17   | JM21000037 | VIS M6X20               | 1   |               |
| 18   | JM21000038 | PLAQUE DE FIXATION B    | 1   |               |
| 19   | JM21080006 | LABEL                   | 1   |               |
| 19   | JM21000023 | EPONGE                  | 1   |               |
| 19   | JM21000040 | CARTER INFERIEUR        | 1   |               |
| 19   | JM21000039 | CARTER INFERIEUR CPL    | 1   |               |
| 20   | JM21000042 | CHASSIS                 | 1   |               |
| 20   | JM21080005 | LABEL                   | 1   |               |
| 20   | JM21080004 | LABEL                   | 1   |               |
| 20   | JM21080032 | NAME PLATE              | 1   |               |
| 20   | JM21080002 | LABEL                   | 1   |               |
| 20   | JM21000041 | CHASSIS CPL             | 1   |               |
| 20   | JM21080001 | LABEL                   | 1   |               |
| 20   | JM21080003 | LABEL                   | 1   |               |
| 20   | JM21080007 | LABEL                   | 1   |               |
| 21   | JM21000043 | ANNEAU 17               | 1   |               |
| 22   | JM21000044 | ROULEMENT 6203          | 1   |               |
| 23   | JM21000045 | COLLIER 40              | 1   |               |
| 24   | JM21000046 | ROUE DE SCIE SUPERIEURE | 1   |               |
| 25   | JM21000047 | PNEUMATIQUE             | 1   |               |
| 26   | JM21000048 | BARRE TRANSVERSALE A    | 2   |               |
| 26   | JM21000049 | BARRE A                 | 1   |               |
| 26   | JM21000024 | MAKITA LOGO LABEL       | 1   |               |
| 27   | JM21000050 | ROUE DE SCIE INFERIEURE | 1   |               |
| 28   | JM21000051 | BOUTON                  | 1   |               |
| 29   | JM21000052 | ANNEAU                  | 1   |               |
| 30   | JM21000053 | AXE                     | 1   |               |
| 31   | JM21000054 | POINTEUR                | 1   |               |
| 32   | JM21000055 | BASE DU RESSORT         | 1   |               |
| 33   | JM21000056 | RESSORT 45              | 1   |               |
| 34   | JM21000057 | FIXATION                | 1   |               |
| 35   | JM21000058 | ECROU M8                | 4   |               |
| 36   | JM21000059 | RONDELLE 8              | 4   |               |

# LB1200F

## Scie à Ruban Stationnaire

Date 07/10/2010 Page 4/ 9



| Item | Parts_No.  | Parts_Description            | Qty | T_Information |
|------|------------|------------------------------|-----|---------------|
| 37   | JM21000060 | RONDELLE 8                   | 4   |               |
| 38   | JM21000061 | PLAQUE LATERALE A            | 1   |               |
| 39   | JM21000062 | VIS M8X16                    | 4   |               |
| 40   | JM21000063 | ECROU M6                     | 2   |               |
| 41   | JM21000064 | VIS M6X35                    | 1   |               |
| 42   | JM21000065 | VIS M6X25                    | 1   |               |
| 43   | JM21000066 | PLAQUE LATERALE B            | 1   |               |
| 44   | JM21000067 | ECROU M10                    | 3   |               |
| 45   | JM21000068 | AXE D                        | 1   |               |
| 46   | JM21000069 | AXE ROUE SUPERIEURE          | 1   |               |
| 47   | JM21000070 | FIXATION MOBILE              | 1   |               |
| 48   | JM21000071 | FIXATION                     | 1   |               |
| 49   | JM21000072 | BARRE ANTI-POUSSIERES        | 1   |               |
| 50   | JM21000073 | SUPPORT                      | 1   |               |
| 51   | JM21000074 | GLISSIERE                    | 1   |               |
| 52   | JM21000075 | SUPPORT DE GLISSIERE         | 1   |               |
| 53   | JM21000076 | AXE CAOUTCHOUC 4             | 1   |               |
| 54   | JM21000077 | LABEL                        | 1   |               |
| 55   | JM21000078 | VIS REGLABLE                 | 1   |               |
| 56   | JM21000079 | GLISSIERE B                  | 2   |               |
| 57   | JM21000080 | PIGNON B                     | 1   |               |
| 58   | JM21000081 | VIS M6X12                    | 2   |               |
| 59   | JM21000082 | BOUTON                       | 1   |               |
| 60   | JM21000083 | RONDELLE 8                   | 1   |               |
| 61   | JM21000084 | RESSORT                      | 1   |               |
| 62   | JM21000085 | ECROU                        | 1   |               |
| 63   | JM21000086 | AXE A                        | 1   |               |
| 64   | JM21000087 | KIT DE VIS M6X10             | 3   |               |
| 65   | JM21000088 | VIS C                        | 1   |               |
| 66   | JM21000089 | FIXATION                     | 1   |               |
| 67   | JM21000090 | FIXATION B                   | 1   |               |
| 68   | JM21000091 | FIXATION A                   | 1   |               |
| 69   | JM21000092 | AXE B                        | 3   |               |
| 70   | JM21000093 | ROULEMENT 6200               | 3   |               |
| 71   | JM21000094 | MANCHON B                    | 3   |               |
| 72   | JM21000095 | VIS M5X20                    | 3   |               |
| 73   | JM21000096 | COUVERCLE                    | 1   |               |
| 74   | JM21000097 | TUBE DE PROTECTION DU CABLE  | 1   |               |
| 75   | JM21000098 | ECROU M20                    | 1   |               |
| 76   | JM21000099 | ROUE EXCENTRIQUE 32          | 1   |               |
| 77   | JM21000100 | AXE CAOUTCHOUC 4X32          | 1   |               |
| 78   | JM21000101 | DOUILLE B                    | 1   |               |
| 79   | JM21000102 | INTERRUPTEUR                 | 1   |               |
| 80   | JM21000103 | MANCHON A                    | 1   |               |
| 81   | JM21000104 | CHARBON                      | 1   |               |
| 82   | JM21000105 | VIS                          | 1   |               |
| 83   | JM21000106 | ECROU M8                     | 1   |               |
| 84   | JM21000107 | PLAQUE DE RANGEMENT OUTILS   | 1   |               |
| 85   | JM21000108 | VIS M4X10                    | 4   |               |
| 86   | JM21000109 | INTERRUPTEUR HY17            | 1   |               |
| 87   | JM21000110 | FIXATION INTERRUPTEUR DE LED | 1   |               |
| 88   | JM21000111 | PROTECTION D'INTERRUPTEUR    | 1   |               |

# LB1200F

## Scie à Ruban Stationnaire

Date 07/10/2010 Page 5/ 9



| Item | Parts_No.                | Parts_Description              | Qty | T_Information |
|------|--------------------------|--------------------------------|-----|---------------|
| 89   | JM21000112               | PANNEAU D'INTERRUPTEUR DE LED  | 1   |               |
| 90   | JM21000003<br>JM21000004 | INTERRUPTEUR                   | 1   |               |
| 91   | JM21000221               | TERMINAL 4                     | 2   |               |
| 92   | JM21000113               | RONDELLE 4                     | 2   |               |
| 93   | JM21000114               | ECROU M20                      | 1   |               |
| 94   | JM21000115               | PORT D'ASPIRATION POUSSIERES B | 1   |               |
| 95   | JM21000116               | RESSORT                        | 1   |               |
| 96   | JM21000117               | VIS M5X12                      | 2   |               |
| 97   | JM21000118               | ECROU M5                       | 2   |               |
| 98   | JM21000119               | COLLECTEUR DE POUSSIERES       | 1   |               |
| 99   | JM21000120               | ANNEAU 11                      | 1   |               |
| 100  | JM21000121               | ROULEMENT 6001                 | 1   |               |
| 101  | JM21000122               | COLLIER 28                     | 1   |               |
| 102  | JM21000123               | ROUE                           | 1   |               |
| 103  | JM21000124               | AXE DE ROUE                    | 1   |               |
| 104  | JM21000125               | AXE                            | 1   |               |
| 105  | JM21000126               | AXE CAOUTCHOUC 4X16            | 1   |               |
| 106  | JM21000127               | FIXATION CIRCULAIRE            | 1   |               |
| 107  | JM21000128               | KIT DE VIS M5X8                | 1   |               |
| 108  | JM21000129               | BOUTON A                       | 1   |               |
| 109  | JM21000130               | BOUTON B                       | 1   |               |
| 110  | JM21000001               | MOTEUR                         | 1   |               |
| 111  | JM21000131               | VIS M6X12                      | 1   |               |
| 112  | JM21000132               | CLE 5X5X20                     | 1   |               |
| 113  | JM21000133               | POULIE MOTEUR                  | 1   |               |
| 114  | JM21000134               | VIS M6X12                      | 4   |               |
| 115  | JM21000135               | COURROIE                       | 1   |               |
| 116  | JM21000136               | VIS ST 4,2X14                  | 4   |               |
| 117  | JM21000137               | PORT D'ASPIRATION POUSSIERES   | 1   |               |
| 118  | JM21000138               | PATTE DE FIXATION CABLE        | 1   |               |
| 119  | JM21000139               | VIS M10                        | 1   |               |
| 120  | JM21000140               | VIS M6X25                      | 1   |               |
| 121  | JM21000141               | BOUTON                         | 1   |               |
| 122  | JM21000142               | AXE DU VOLANT                  | 1   |               |
| 123  | JM21000143               | VIS M4X8                       | 1   |               |
| 124  | JM21000144               | POINTEUR D'ANGLE               | 1   |               |
| 125  | JM21000145               | PLAQUE DE SEPARATION           | 1   |               |
| 126  | JM21000146               | GLISSIERE                      | 1   |               |
| 127  | JM21000147               | VIS B                          | 2   |               |
| 129  | JM21000148               | PLAQUE D'ISOLATION POUSSIERES  | 1   |               |
| 130  | JM21000149               | PLAQUE DE PROTECTION           | 1   |               |
| 132  | JM21000150               | CARTER INFERIEUR B             | 1   |               |
| 134  | JM21000151               | GLISSIERE                      | 1   |               |
| 135  | JM21000152               | PLAQUE DE PROTECTION A         | 1   |               |
| 136  | JM21000153               | MAINTIEN CABLE                 | 1   |               |
| 137  | JM21000154               | POINTEUR DE GLISSIERE          | 1   |               |
| 138  | JM21000006<br>JM21000010 | CABLE ET PRISE                 | 1   |               |
| 139  | JM21000155               | VIS ST 4,2X8                   | 2   |               |
| 140  | JM21000156               | SUPPORT FIXE C                 | 1   |               |
| 141  | JM21000157               | CARTER INFERIEUR A             | 1   |               |

# LB1200F

## Scie à Ruban Stationnaire

Date 07/10/2010 Page 6/ 9



| Item | Parts_No.  | Parts_Description              | Qty | T_Information |
|------|------------|--------------------------------|-----|---------------|
| 142  | JM21000158 | VIS M6X10                      | 1   |               |
| 143  | JM21000159 | VIS ST 3,2X8                   | 2   |               |
| 144  | JM21000160 | CARTER DE DIODE B              | 1   |               |
| 145  | JM21000161 | PROTECTION DIODE               | 1   |               |
| 146  | JM21000162 | CARTER DE DIODE A              | 1   |               |
| 147  | JM21000163 | CARTER DE DIODE C              | 1   |               |
| 148  | JM21000164 | VIS ST 2,2X8                   | 2   |               |
| 149  | JM21000165 | PROTECTION DU CABLE DE DIODE A | 1   |               |
| 150  | JM21000166 | VIS M4X20                      | 3   |               |
| 151  | JM21000167 | PROTECTION DU CABLE DE DIODE B | 1   |               |
| 152  | JM21000168 | MANCHON                        | 1   |               |
| 153  | JM21000169 | VIS M4X35                      | 1   |               |
| 154  | JM21000170 | MANCHON 8                      | 1   |               |
| 155  | JM21000171 | CARTER INFERIEUR TRANSFO       | 1   |               |
| 156  | JM21000172 | TRANSFORMATEUR                 | 1   |               |
| 157  | JM21000173 | ECROU M8                       | 1   |               |
| 158  | JM21000174 | CARTER SUPERIEUR TRANSFO       | 1   |               |
| 159  | JM21000175 | BOUTON                         | 1   |               |
| 160  | JM21000176 | MANCHON C                      | 1   |               |
| 161  | JM21000177 | KIT DE VIS M6X10               | 2   |               |
| 162  | JM21000178 | POIGNEE A                      | 1   |               |
| 163  | JM21000179 | LABEL                          | 1   |               |
| 164  | JM21000180 | PROTECTION LATERALE B          | 1   |               |
| 165  | JM21000181 | BOUTON C                       | 4   |               |
| 166  | JM21000182 | RAIL AVANT A                   | 1   |               |
| 167  | JM21000183 | AXE                            | 3   |               |
| 168  | JM21000184 | RAIL AVANT B                   | 1   |               |
| 169  | JM21000185 | PROTECTION LATERALE A          | 1   |               |
| 170  | JM21000186 | BOUCHON                        | 1   |               |
| 171  | JM21000187 | RONDELLE                       | 1   |               |
| 172  | JM21000188 | KIT DE VIS M8X50               | 1   |               |
| 173  | JM21000189 | PLAQUE                         | 1   |               |
| 174  | JM21000190 | TABLE                          | 1   |               |
| 175  | JM21000191 | PLAQUE DE PROTECTION DE LAME   | 1   |               |
| 176  | JM21000192 | VIS M3X10                      | 2   |               |
| 178  | JM21000193 | VIS M6X30                      | 1   |               |
| 179  | JM21000194 | RESSORT DE PRESSION            | 1   |               |
| 180  | JM21000195 | POIGNEE B CPL                  | 1   |               |
| 181  | JM21000196 | VIS                            | 1   |               |
| 182  | JM21000197 | POIGNEE DE BLOCAGE A           | 1   |               |
| 183  | JM21000198 | VIS M8X20                      | 4   |               |
| 184  | JM21000199 | BASCULEUR                      | 1   |               |
| 185  | JM21000200 | PIGNON A                       | 1   |               |
| 186  | JM21000201 | MANCHON                        | 1   |               |
| 187  | JM21000202 | AXE DE PIGNON                  | 1   |               |
| 188  | JM21000203 | VIS M8                         | 2   |               |
| 189  | JM21000204 | SUPPORT DE POIGNEE B           | 1   |               |
| 190  | JM21000205 | TUBE                           | 1   |               |
| 191  | JM21000206 | TUBE ACIER CPL                 | 1   |               |
| 192  | JM21000207 | SUPPORT DE POIGNEE A           | 1   |               |
| 193  | JM21000208 | PIED A                         | 1   |               |
| 194  | JM21000049 | BARRE A                        | 2   |               |



# LB1200F

## Scie à Ruban Stationnaire

Date 07/10/2010 Page 7 / 9



| Item | Parts_No.  | Parts_Description | Qty | T_Information |
|------|------------|-------------------|-----|---------------|
| 195  | JM21000209 | PIED B            | 3   |               |
| 196  | JM21000210 | VIS M6X16         | 16  |               |
| 197  | JM21000211 | ECROU M10         | 2   |               |
| 198  | JM21000212 | SUPPORT DE ROUE B | 1   |               |
| 199  | JM21000213 | ANNEAU 13         | 2   |               |
| 200  | JM21000214 | ROUE              | 2   |               |
| 201  | JM21000215 | DOUILLE           | 2   |               |
| 202  | JM21000216 | AXE DE ROUE       | 1   |               |
| 203  | JM21000217 | SUPPORT DE ROUE A | 1   |               |
| 204  | JM21000218 | VIS M8X50         | 1   |               |
| 205  | JM21000219 | COUSSINET         | 1   |               |
| 206  | JM21000220 | BARRE LATERALE B  | 2   |               |
| 207  | JM21000035 | RONDELLE 6        | 1   |               |
| 208  | JM21000035 | RONDELLE 6        | 2   |               |
| 209  | JM21000035 | RONDELLE 6        | 4   |               |
| 210  | JM21000035 | RONDELLE 6        | 32  |               |
| 211  | JM21000035 | RONDELLE 6        | 4   |               |
| 212  | JM21000035 | RONDELLE 6        | 4   |               |
| 213  | JM21000035 | RONDELLE 6        | 2   |               |
| 214  | JM21000035 | RONDELLE 6        | 1   |               |
| 215  | JM21000035 | RONDELLE 6        | 2   |               |
| 216  | JM21000035 | RONDELLE 6        | 2   |               |
| 217  | JM21000035 | RONDELLE 6        | 2   |               |
| 218  | JM21000035 | RONDELLE 6        | 4   |               |
| 219  | JM21000034 | RONDELLE 6        | 1   |               |
| 220  | JM21000034 | RONDELLE 6        | 4   |               |
| 221  | JM21000034 | RONDELLE 6        | 32  |               |
| 222  | JM21000034 | RONDELLE 6        | 4   |               |
| 223  | JM21000034 | RONDELLE 6        | 2   |               |
| 224  | JM21000034 | RONDELLE 6        | 2   |               |
| 225  | JM21000034 | RONDELLE 6        | 4   |               |
| 226  | JM21000034 | RONDELLE 6        | 4   |               |
| 227  | JM21000034 | RONDELLE 6        | 1   |               |
| 228  | JM21000063 | ECROU M6          | 4   |               |
| 229  | JM21000063 | ECROU M6          | 32  |               |
| 230  | JM21000063 | ECROU M6          | 4   |               |
| 231  | JM21000063 | ECROU M6          | 1   |               |
| 232  | JM21000063 | ECROU M6          | 2   |               |
| 233  | JM21000063 | ECROU M6          | 2   |               |
| 234  | JM21000063 | ECROU M6          | 4   |               |
| 235  | JM21000037 | VIS M6X20         | 1   |               |
| 236  | JM21000037 | VIS M6X20         | 2   |               |
| 237  | JM21000037 | VIS M6X20         | 4   |               |
| 238  | JM21000020 | FLAT WASHER 5     | 3   |               |
| 239  | JM21000020 | FLAT WASHER 5     | 2   |               |
| 240  | JM21000020 | FLAT WASHER 5     | 2   |               |
| 241  | JM21000020 | RONDELLE 5        | 3   |               |
| 242  | JM21000028 | VIS M4X10         | 2   |               |
| 243  | JM21000028 | VIS M4X10         | 2   |               |
| 244  | JM21000028 | VIS M4X10         | 2   |               |
| 245  | JM21000028 | VIS M4X10         | 2   |               |
| 246  | JM21000028 | VIS M4X10         | 2   |               |

# LB1200F

## Scie à Ruban Stationnaire

Date 07/10/2010 Page 8/ 9



| Item | Parts_No.  | Parts_Description           | Qty | T_Information |
|------|------------|-----------------------------|-----|---------------|
| 247  | JM21000028 | VIS M4X10                   | 2   |               |
| 248  | JM21000026 | RONDELLE 4                  | 2   |               |
| 249  | JM21000026 | RONDELLE 4                  | 2   |               |
| 250  | JM21000026 | RONDELLE 4                  | 2   |               |
| 251  | JM21000026 | RONDELLE 4                  | 1   |               |
| 252  | JM21000026 | RONDELLE 4                  | 1   |               |
| 253  | JM21000083 | RONDELLE 8                  | 1   |               |
| 254  | JM21000083 | RONDELLE 8                  | 1   |               |
| 255  | JM21000083 | RONDELLE 8                  | 1   |               |
| 256  | JM21000083 | RONDELLE 8                  | 1   |               |
| 257  | JM21000083 | RONDELLE 8                  | 1   |               |
| 258  | JM21000083 | RONDELLE 8                  | 1   |               |
| 259  | JM21000083 | RONDELLE 8                  | 2   |               |
| 260  | JM21000019 | SPRING WASHER 5             | 2   |               |
| 261  | JM21000019 | SPRING WASHER 5             | 2   |               |
| 262  | JM21000059 | RONDELLE 8                  | 4   |               |
| 263  | JM21000059 | RONDELLE 8                  | 2   |               |
| 264  | JM21000060 | RONDELLE 8                  | 4   |               |
| 265  | JM21000134 | VIS M6X12                   | 2   |               |
| 266  | JM21000032 | ECROU M4                    | 2   |               |
| 267  | JM21000032 | ECROU M4                    | 3   |               |
| 268  | JM21000058 | ECROU M8                    | 2   |               |
| 269  | JM21000058 | ECROU M8                    | 1   |               |
| 270  | JM21000027 | RONDELLE 4                  | 2   |               |
| 271  | JM21000027 | RONDELLE 4                  | 2   |               |
| 272  | JM21000087 | KIT DE VIS M6X10            | 3   |               |
| 273  | JM21000092 | AXE B                       | 3   |               |
| 274  | JM21000093 | ROULEMENT 6200              | 3   |               |
| 275  | JM21000094 | MANCHON B                   | 3   |               |
| 276  | JM21000095 | VIS M5X20                   | 3   |               |
| 277  | JM21000033 | ECROU M6                    | 1   |               |
| 278  | JM21000033 | ECROU M6                    | 1   |               |
| 279  | JM21000033 | ECROU M6                    | 1   |               |
| 280  | JM21000033 | ECROU M6                    | 1   |               |
| 281  | JM21000031 | VIS M4X12                   | 2   |               |
| 282  | JM21000044 | ROULEMENT 6203              | 1   |               |
| 283  | JM21000044 | ROULEMENT 6203              | 1   |               |
| 284  | JM21000044 | ROULEMENT 6203              | 1   |               |
| 285  | JM21000045 | COLLIER 40                  | 1   |               |
| 286  | JM21000045 | COLLIER 40                  | 1   |               |
| 287  | JM21000045 | COLLIER 40                  | 1   |               |
| 288  | JM21000117 | VIS M5X12                   | 2   |               |
| 289  | JM21000118 | ECROU M5                    | 2   |               |
| 290  | JM21000097 | TUBE DE PROTECTION DU CABLE | 1   |               |
| 291  | JM21000097 | TUBE DE PROTECTION DU CABLE | 1   |               |
| 292  | JM21000159 | VIS ST 3,2X8                | 1   |               |
| 293  | JM21000029 | BOUTON D'INTERRUPTEUR       | 1   |               |
| 294  | JM21000030 | FIXATION D'INTERRUPTEUR     | 1   |               |
| 295  | JM21000036 | ENTRETOISE                  | 1   |               |
| 296  | JM21000043 | ANNEAU 17                   | 1   |               |
| 297  | JM21000047 | PNEUMATIQUE                 | 1   |               |
| 298  | JM21000055 | BASE DU RESSORT             | 1   |               |



# LB1200F

## Scie à Ruban Stationnaire

Date 07/10/2010 Page 9/ 9



| Item | Parts_No.  | Parts_Description              | Qty | T_Information |
|------|------------|--------------------------------|-----|---------------|
| 299  | JM21000073 | SUPPORT                        | 1   |               |
| 300  | JM21000086 | AXE A                          | 1   |               |
| 301  | JM21000088 | VIS C                          | 1   |               |
| 302  | JM21000091 | FIXATION A                     | 1   |               |
| 303  | JM21000096 | COUVERCLE                      | 1   |               |
| 304  | JM21000103 | MANCHON A                      | 1   |               |
| 305  | JM21000102 | INTERRUPTEUR                   | 1   |               |
| 306  | JM21000104 | CHARBON                        | 1   |               |
| 307  | JM21000105 | VIS                            | 1   |               |
| 308  | JM21000106 | ECROU M8                       | 1   |               |
| 309  | JM21000121 | ROULEMENT 6001                 | 1   |               |
| 310  | JM21000122 | COLLIER 28                     | 1   |               |
| 311  | JM21000131 | VIS M6X12                      | 1   |               |
| 312  | JM21000140 | VIS M6X25                      | 1   |               |
| 313  | JM21000141 | BOUTON                         | 1   |               |
| 314  | JM21000143 | VIS M4X8                       | 1   |               |
| 315  | JM21000173 | ECROU M8                       | 1   |               |
| 316  | JM21000134 | VIS M6X12                      | 2   |               |
| 317  | JM21000032 | ECROU M4                       | 1   |               |
| 318  | JM21000106 | ECROU M8                       | 1   |               |
| 319  | JM21000210 | VIS M6X16                      | 16  |               |
| 320  | JM21000037 | VIS M6X20                      | 1   |               |
| 321  | JM21000037 | VIS M6X20                      | 4   |               |
| 322  | JM21000037 | VIS M6X20                      | 4   |               |
| 323  | JM21000035 | RONDELLE 6                     | 1   |               |
| A01  | JM21080230 | BUTEE CPL                      | 1   |               |
| A02  | JM21080260 | GUIDE A ONGLET CPL             | 1   |               |
| A03  | JM21080290 | POUSSOIR                       | 1   |               |
| A04  | JM21080291 | CLE 4                          | 1   |               |
| A05  | JM21080292 | CLE 5                          | 1   |               |
| A06  | JM21080293 | PORT D'ASPIRATION POUSSIERES A | 1   |               |
| A07  | JM21080294 | LAME 6                         | 1   |               |
| A08  | JM21080295 | LAME 13                        | 1   |               |
| A09  | JM21080296 | LAME 16                        | 1   |               |
| A10  | JM21080297 | LAME 16                        | 1   |               |