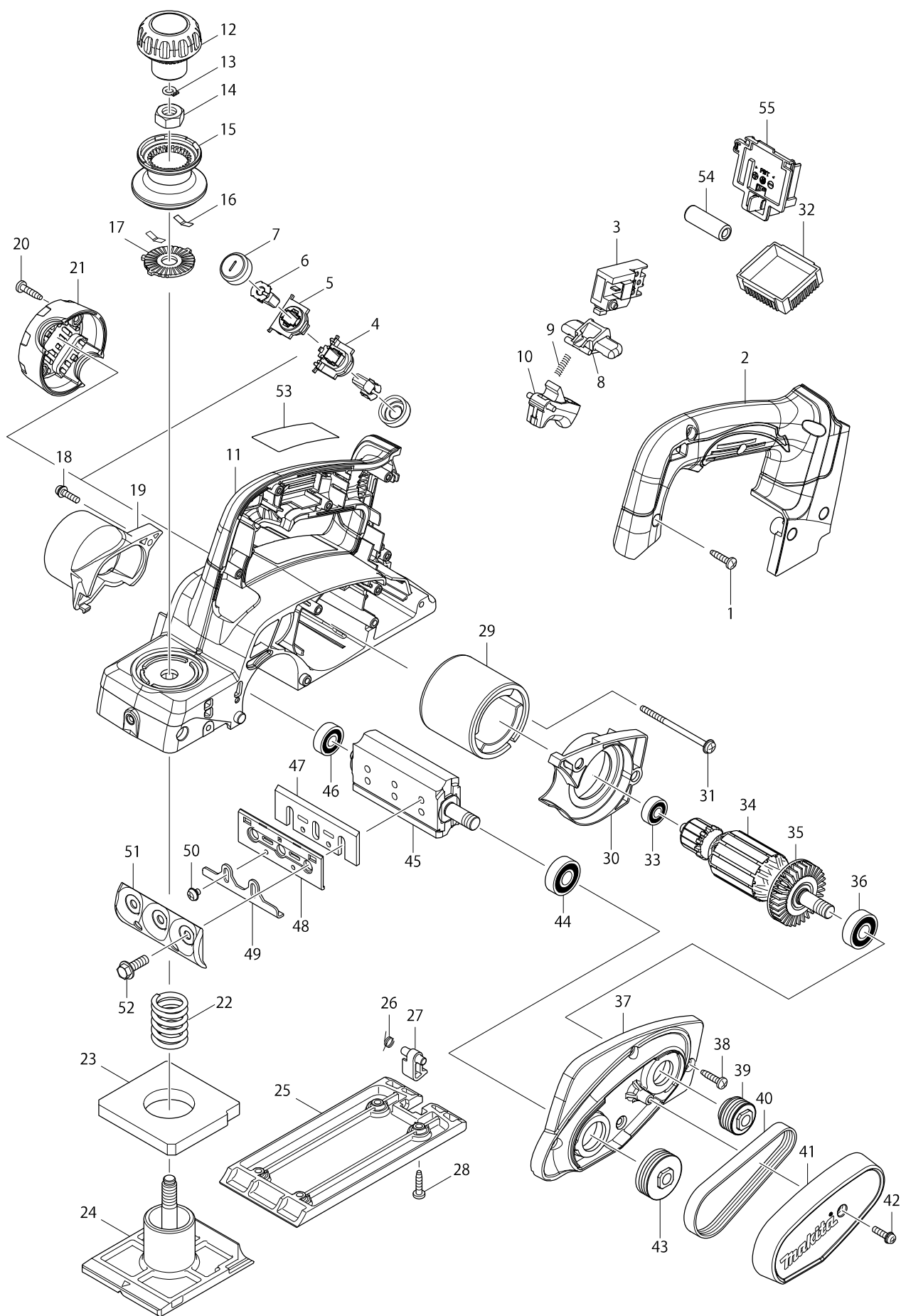


Numéro du modèle DKP180 RABOT 82mm 18V



| Position | Référence pièce | Description | Echelle | QTE | N/O | Option 1 | Option 2 | COMMENTAIRE |
|----------|-----------------|----------------------------|---------|-----|-----|----------|----------|-------------|
| 001 | 266326-2 | VIS 4x18 | | 6 | | P2 | | |
| 002 | 140905-3 | CAPOT POIGNEE | | 1 | | P12 | | |
| C10 | 263005-3 | CHEVILLE CAOUTCHOUC 6 | | 1 | | P2 | | |
| 003 | 650631-1 | INTERRUPTEUR | | 1 | | P64 | | |
| 004 | 643872-6 | PORTE CHARBON | | 1 | | P2 | | |
| 005 | 643873-4 | PORTE CHARBON | | 1 | | P2 | | |
| 006 | 194435-6 | JEU DE CHARBON CB-432 | | 1 | | P10 | | |
| 007 | 643829-7 | PROTECTEUR PORTE CHARBONS | | 2 | | P1 | | |
| 008 | 419664-3 | BLOCAGE COMMANDE | | 1 | | P2 | | |
| 009 | 231469-9 | RESSORT 4 6811DW | | 1 | | P2 | | |
| 010 | 419665-1 | LEVIER D'INTERRUPTEUR | | 1 | | P2 | | |
| 011 | 140904-5 | CARCASSE PRINCIPALE | | 1 | | P24 | | |
| C10 | 263005-3 | CHEVILLE CAOUTCHOUC 6 | | 1 | | P2 | | |
| 012 | 451328-3 | BOUTON COUVERCLE | | 1 | | P2 | | |
| 013 | 961004-6 | CIRCLIP MOD S EXT 8 | | 1 | | P2 | | |
| 014 | 264028-4 | ECROU HEX M10 | | 1 | | P1 | | |
| 015 | 452480-0 | BOUTON | | 1 | | P7 | | |
| 016 | 232185-6 | RESSORT PLAT | | 2 | | P5 | | |
| 017 | 346110-2 | CAME PLATE | | 1 | | P1 | | |
| 018 | 911128-8 | VIS TETE RONDE M4X16 | | 1 | | P1 | | |
| 019 | 451329-1 | MANCHON A POUSSIERE | | 1 | | P2 | | |
| 020 | 266326-2 | VIS 4x18 | | 2 | | P2 | | |
| 021 | 419281-9 | COUVERCLE ARRIERE BBS610 | | 1 | | P6 | | |
| 022 | 231004-3 | RESSORT 18-3 S | | 1 | | P7 | | |
| 023 | 421007-7 | COUSSIN CAOUTCHOUC | | 1 | | P10 | | |
| 024 | 319011-7 | BASE AVANT | | 1 | | P18 | | |
| 025 | 319009-4 | BASE | | 1 | | P16 | | |
| 026 | 231698-4 | RESSORT DE TORSION 7 | | 1 | | P1 | | |
| 027 | 451392-4 | PIED | | 1 | | P1 | | |
| 028 | 266326-2 | VIS 4x18 | | 4 | | P2 | | |
| 029 | 638571-3 | AIMANT | | 1 | | P14 | | |
| 030 | 452479-5 | GUIDE VENTILATEUR | | 1 | | P1 | | |
| 031 | 266292-3 | VIS 4X65 | | 2 | | P2 | | |
| 032 | 620264-6 | CONTROLEUR | | 1 | | P21 | | |
| 033 | 210017-7 | ROULEMENT A BILLES 607DDW | | 1 | | P19 | | |
| 034 | 519272-1 | INDUIT DC18V | | 1 | | P20 | | |
| D10 | | INC. 33,35,36 | | | | | | |
| 035 | 240052-1 | VENTILATEUR 46 | | 1 | | P1 | | |
| 036 | 211088-7 | ROULEMENT A BILLES 6000DDW | | 1 | | | | |
| 037 | 140753-0 | SUPPORT COMPLET | | 1 | | P15 | | |
| C10 | 263002-9 | CHEVILLE CAOUTCHOUC 4 | | 2 | | P1 | | |
| 038 | 266326-2 | VIS 4x18 | | 4 | | P2 | | |
| 039 | 222172-3 | POULIE 4-24L | | 1 | | P2 | | |
| 040 | 225007-7 | COURROIE POL V 4-241 | | 1 | | P18 | | |
| 041 | 452478-7 | COUVERCLE DE COURROIE | | 1 | | P4 | | |
| 042 | 911128-8 | VIS TETE RONDE M4X16 | | 1 | | P1 | | |
| 043 | 222173-1 | POULIE 4-33.5 | | 1 | | P3 | | |
| 044 | 211088-7 | ROULEMENT A BILLES 6000DDW | | 1 | | | | |

| Position | Référence pièce | Description | Echelle | QTE | N/O | Option 1 | Option 2 | COMMENTAIRE |
|----------|-----------------|------------------------------|---------|-----|-----|----------|----------|-------------|
| 045 | 161061-6 | BLOC DE COUPE | | 1 | | P34 | | |
| 046 | 211032-4 | ROULEMENT A BILLES 608ZZ | | 1 | | P9 | | |
| 047 | A-82921 | T.C.T. MINI PLANER BLADE | | 1 | | | | |
| 048 | 343433-9 | CONTRE-FER PLAQTTE 82MM(1P) | | 2 | | A9 | | |
| 049 | 345644-2 | EQUERRE DE REGLAGE | | 2 | * | P1 | | |
| 049-1 | 345644-2 | EQUERRE DE REGLAGE | S | 2 | | P1 | | |
| 050 | 265132-2 | VIS M4X5 | | 4 | | P1 | | |
| 051 | 187679-5 | JEU DE CONTRE FER 2PCES | | 1 | | P22 | | |
| 052 | 251609-3 | VIS HEX COLLE 6X17 | | 6 | | P3 | | |
| 053 | 815K71-8 | DKP180 NAME PLATE | | 1 | | | | |
| 054 | 688165-4 | PASSE-FIL | | 1 | | P1 | | |
| 055 | 644808-8 | SUPPORT | | 1 | | P5 | | |
| A01 | 165581-2 | GUIDE RULE | | 1 | | | | |
| A02 | 265785-7 | VIS M5X10 | | 1 | | P1 | | |
| A03 | 123062-2 | CALIBRE RGLAGE FERS 82MM | | 1 | | A20 | | |
| C10 | 911228-4 | VIS TETE RONDE M5X18 | | 2 | | P1 | | |
| C20 | 411086-3 | PLAQUE | | 1 | | P2 | | |
| A04 | 782209-3 | CLE A DOUILLE 9 | | 1 | | A11 | | |
| A05E | ***DC18RC | DC18RC FAST CHARGER | | 1 | | | | |
| A05G | ***DC18RC | DC18RC FAST CHARGER | | 1 | | | | |
| A05H | 821551-8 | COFFRET MAKPAC3 | | 1 | | A30 | | |
| C10 | 453974-8 | LOQUET | | 4 | | P1 | | |
| A05I | ***DC18RC | DC18RC FAST CHARGER | | 1 | | | | |
| A06E | 194204-5 | ACCU LI-ION BL1830 18V/3.0AH | | 2 | * | | | |
| A06G | 194204-5 | ACCU LI-ION BL1830 18V/3.0AH | | 2 | * | | | |
| A06H | 837808-7 | MOULAGE MAKPAC BKP180 | | 1 | | A13 | | |
| A06I | 196399-0 | BATTERIE BL1840 SET 18V 4A | | 2 | * | A78 | | |
| A06-1E | 194204-5 | ACCU LI-ION BL1830 18V/3.0AH | O | 2 | | | | |
| A06-1G | 194204-5 | ACCU LI-ION BL1830 18V/3.0AH | O | 2 | | | | |
| A06-1I | 196399-0 | BATTERIE BL1840 SET 18V 4A | O | 2 | * | A78 | | |
| A06-2I | 197265-4 | BATTERY BL1840B SET | < | 2 | | | | |
| A07E | 450128-8 | BATTERY COVER | | 1 | | P1 | | |
| A07G | 450128-8 | BATTERY COVER | | 1 | | P1 | | |
| A07H | 803H80-1 | DKP180ZJ INDICATION LABEL | | 1 | | | | |
| A07I | 450128-8 | BATTERY COVER | | 1 | | P1 | | |
| A08E | 824982-0 | COFFRET PLASTIQUE BKP180 | | 1 | | A30 | | |
| C10 | 162271-8 | CLIP COFFRET | | 2 | | A3 | | |
| C20 | 450990-1 | POIGNEE | | 1 | | A3 | | |
| A08G | 821551-8 | COFFRET MAKPAC3 | | 1 | | A30 | | |
| C10 | 453974-8 | LOQUET | | 4 | | P1 | | |
| A08H | 803H81-9 | DKP180ZJ PLASTIC CASE LABEL | | 2 | | | | |
| A08I | 821551-8 | COFFRET MAKPAC3 | | 1 | | A30 | | |
| C10 | 453974-8 | LOQUET | | 4 | | P1 | | |
| A09E | 837295-0 | INNER TRAY | | 1 | | | | |
| A09G | 837808-7 | MOULAGE MAKPAC BKP180 | | 1 | | A13 | | |
| A09I | 837808-7 | MOULAGE MAKPAC BKP180 | | 1 | | A13 | | |
| A10G | 803H78-8 | DKP180RFJ INDICATION LABEL | | 1 | | | | |
| A10I | 804G41-8 | DKP180RMJ INDICATION LABEL | | 1 | | | | |

