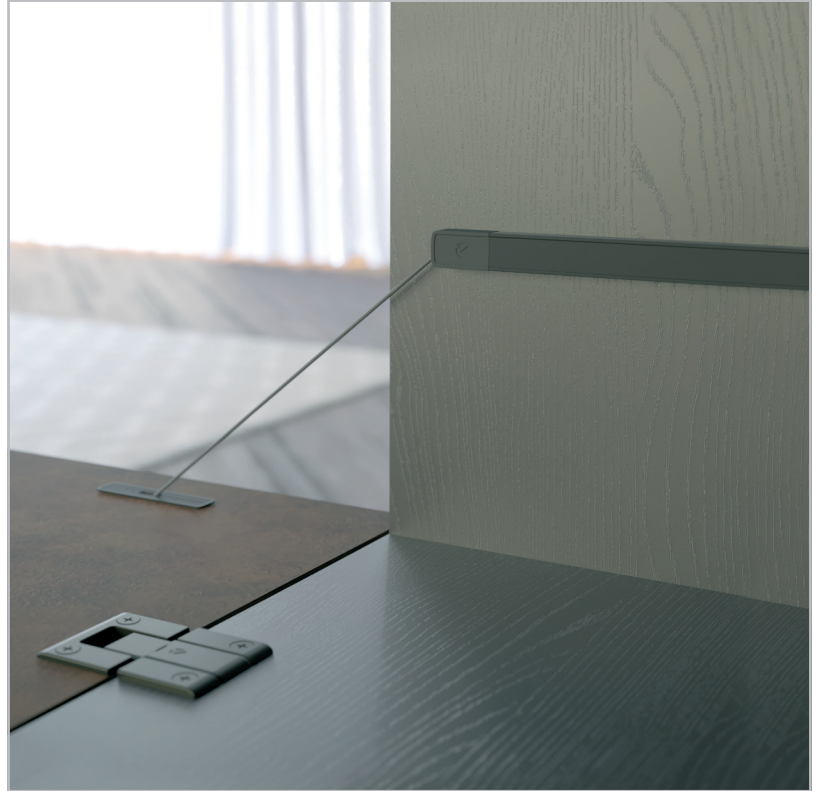




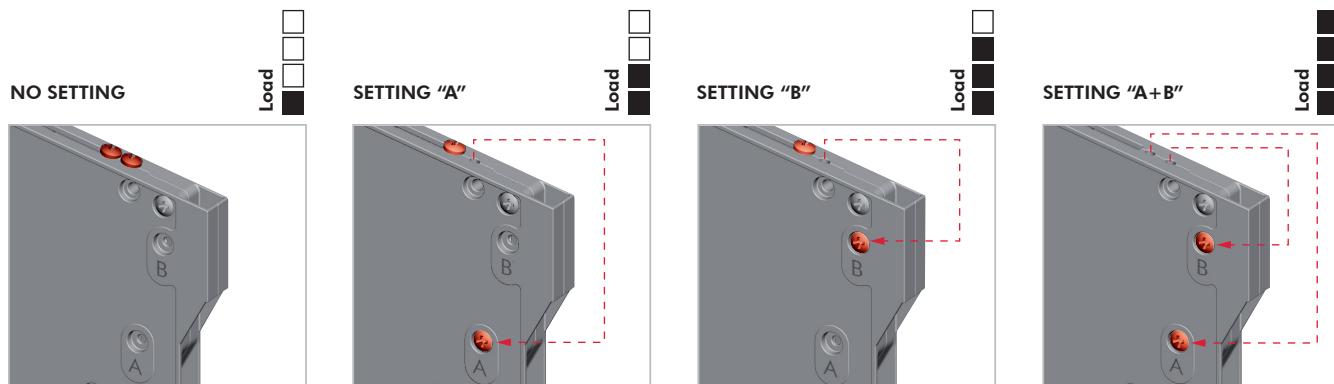
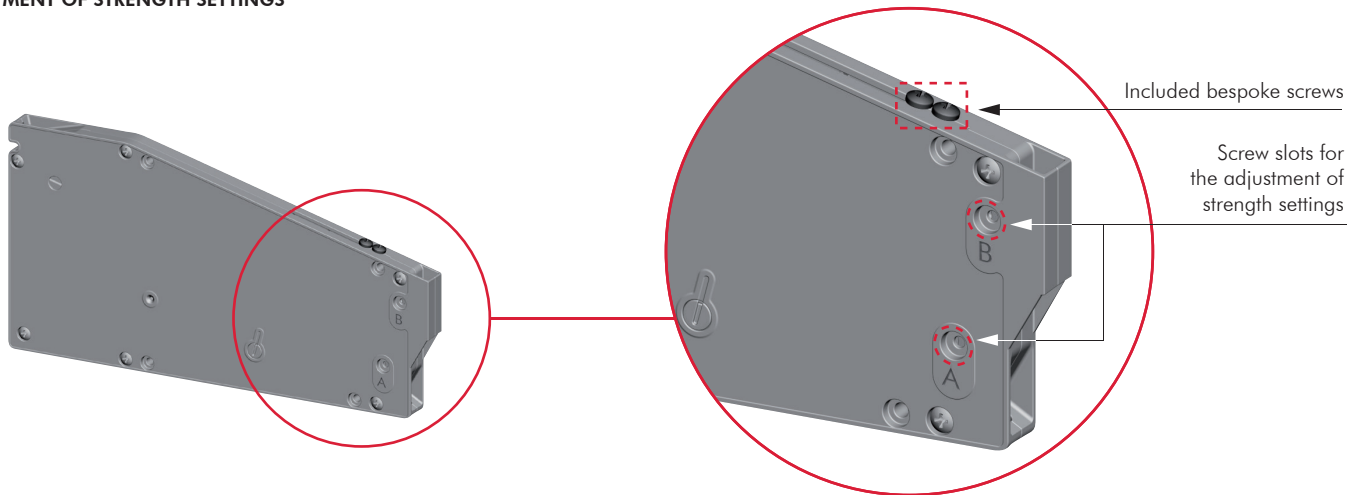
## KIARO



PAT. PENDING

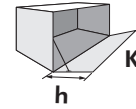


### ADJUSTMENT OF STRENGTH SETTINGS

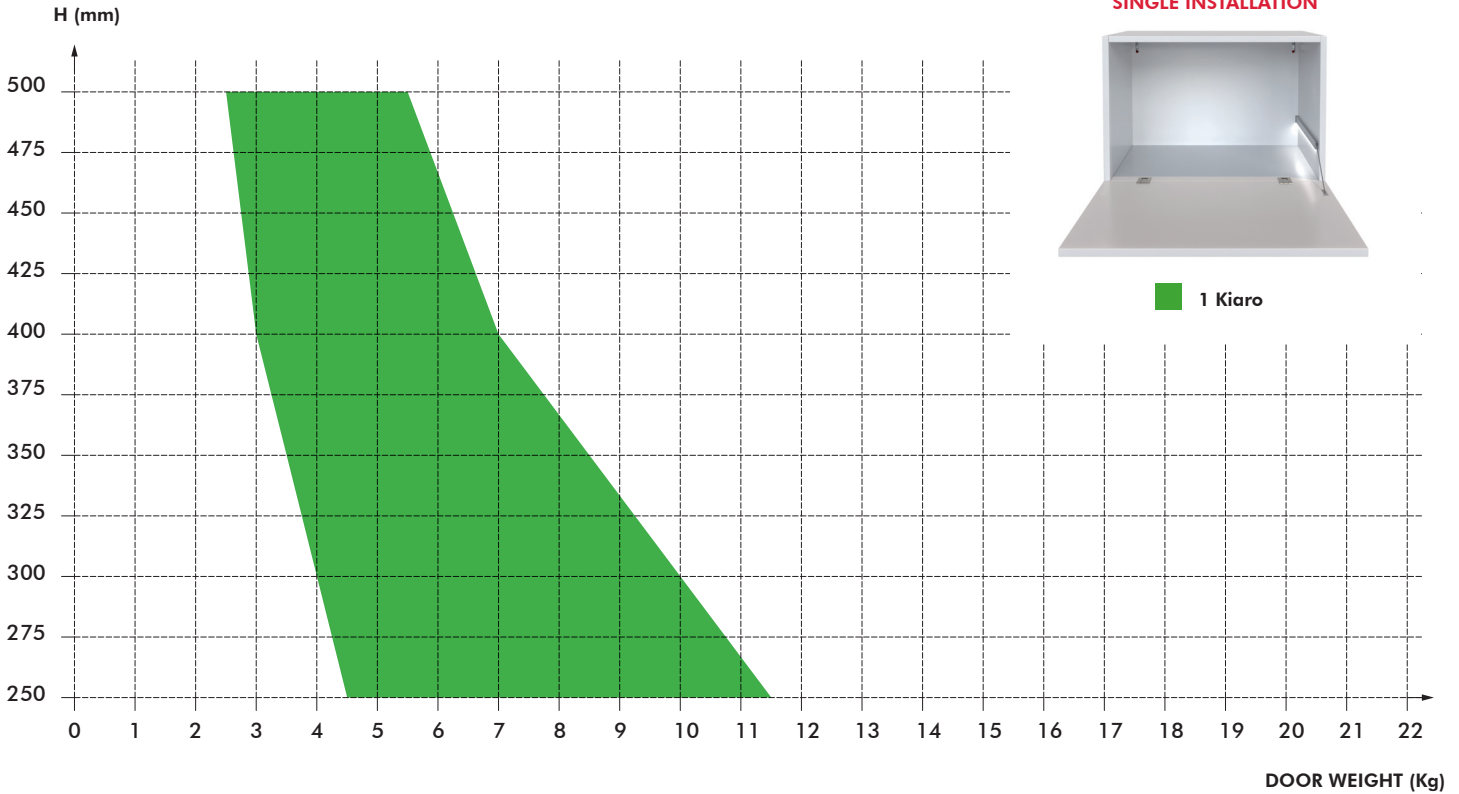




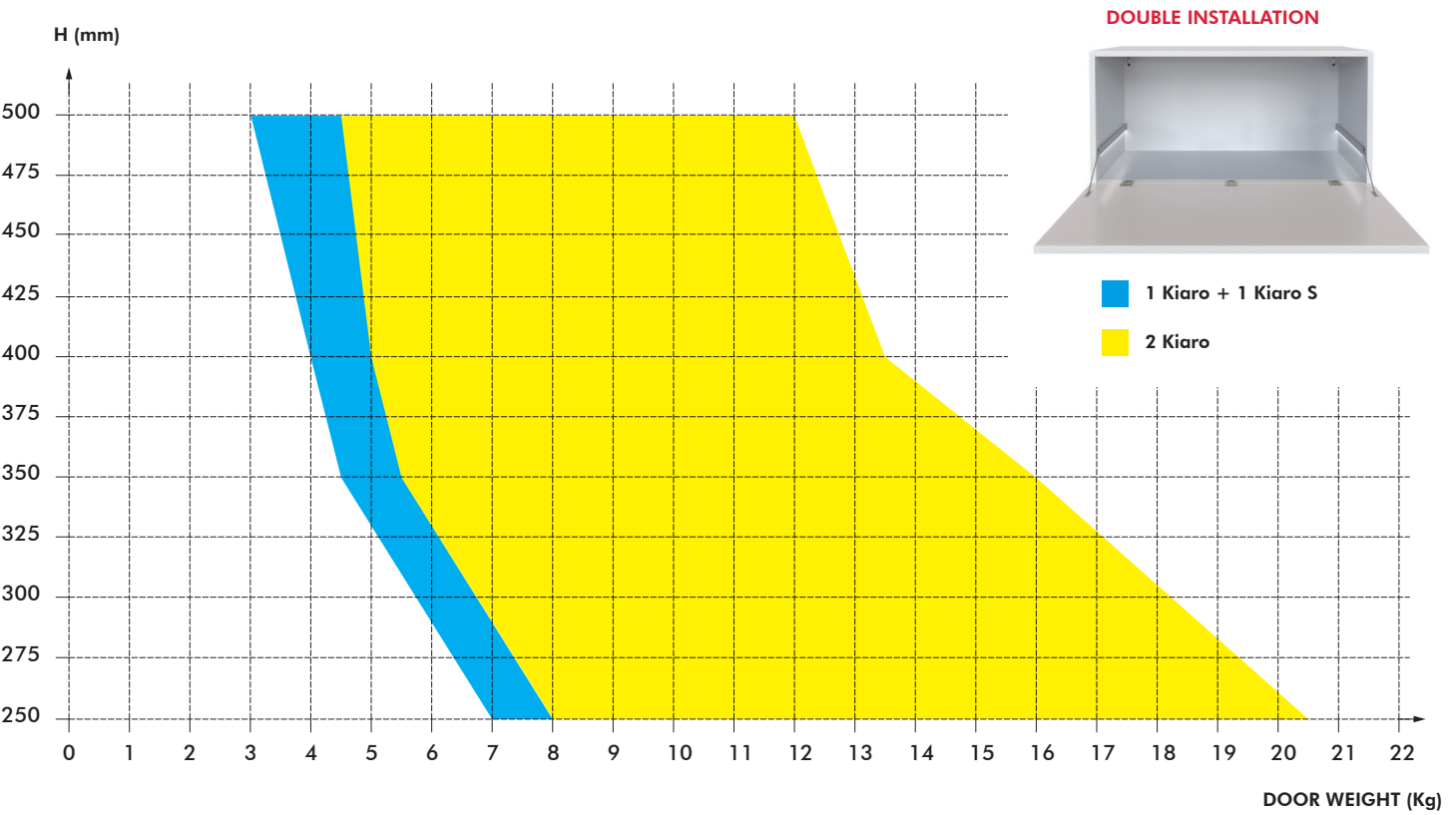
## SOFT OPENING



Kg = Door weight including the possible handle.



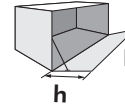
8



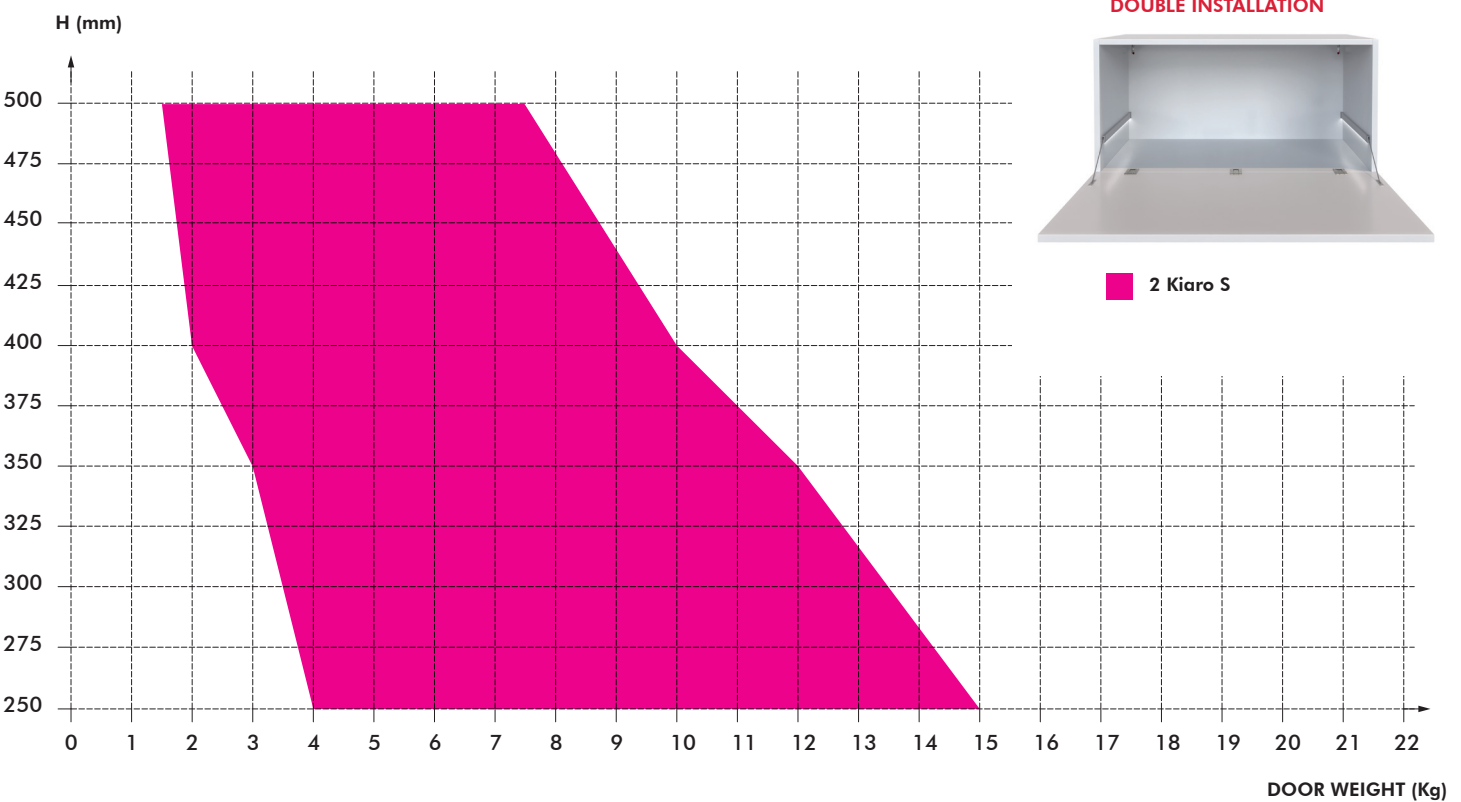
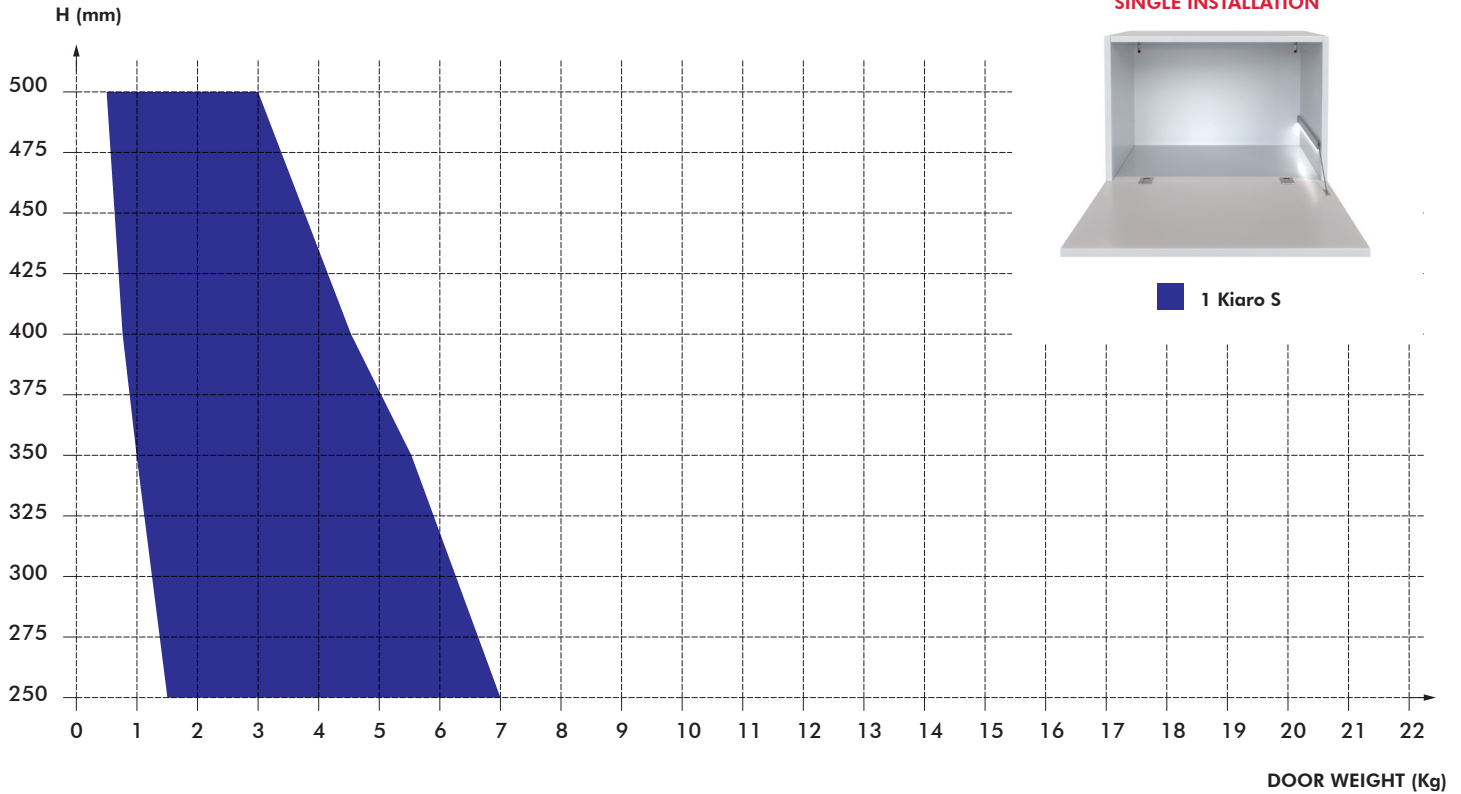
In case the door weight/dimensions are bigger or smaller than those reported on the charts, our technical department is at your disposal to test further cases.



## FRICITION OPENING

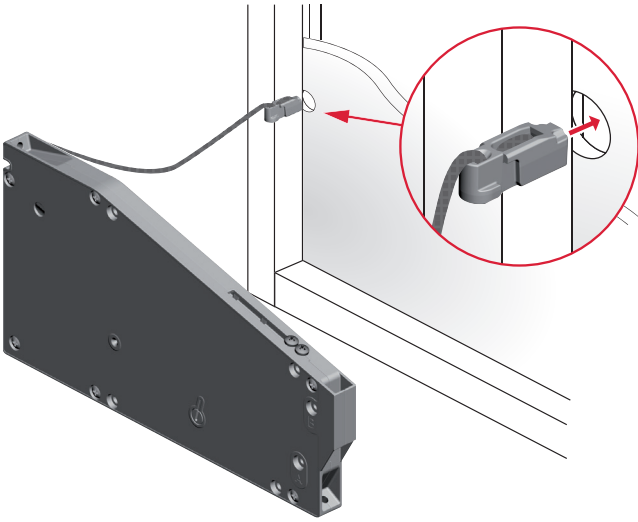


Kg = Door weight including the possible handle.

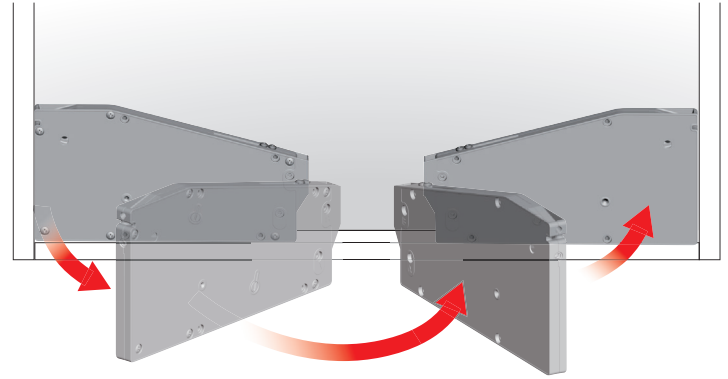


In case the door weight/dimensions are bigger or smaller than those reported on the charts, our technical department is at your disposal to test further cases.

## MECHANISM INSTALLATION

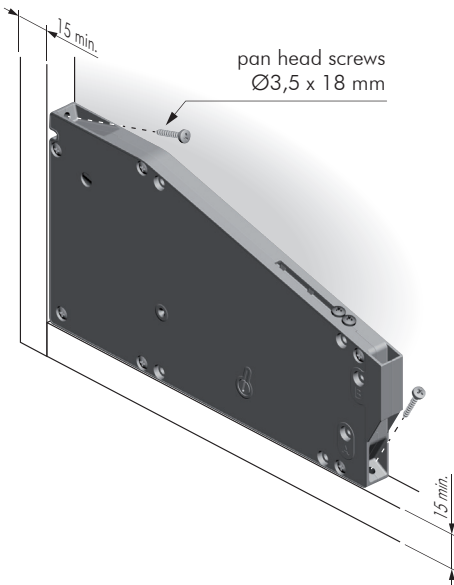


## UNHANDED MECHANISM

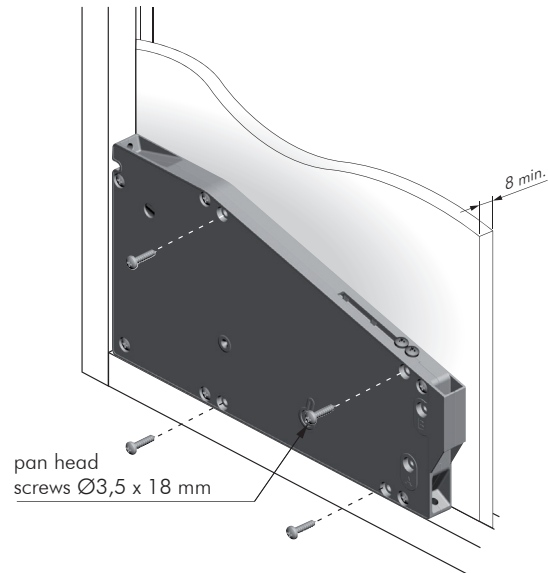


## MECHANISM FIXING

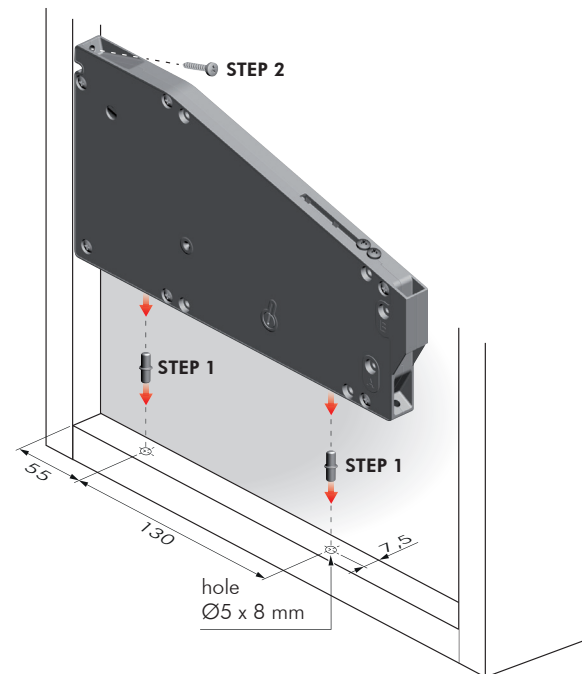
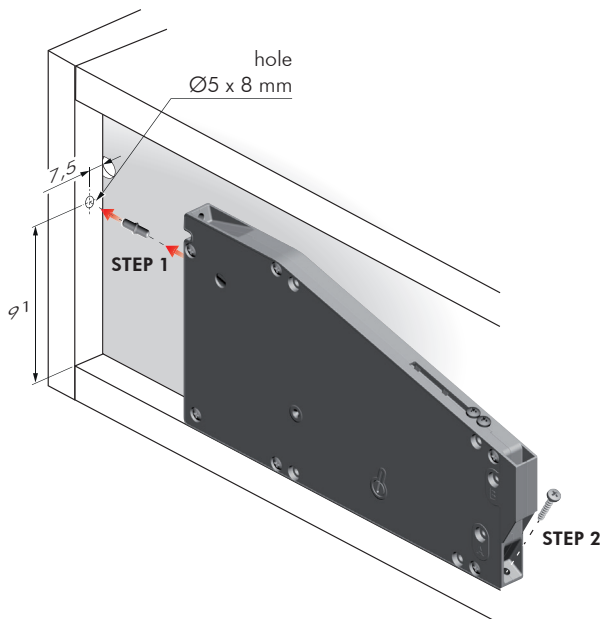
On the bottom and on the side panel with screws



On the back panel with screws

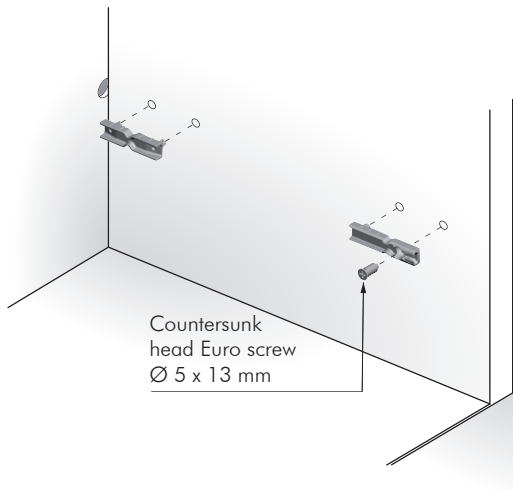


On the bottom and on the side panel with pin and screws

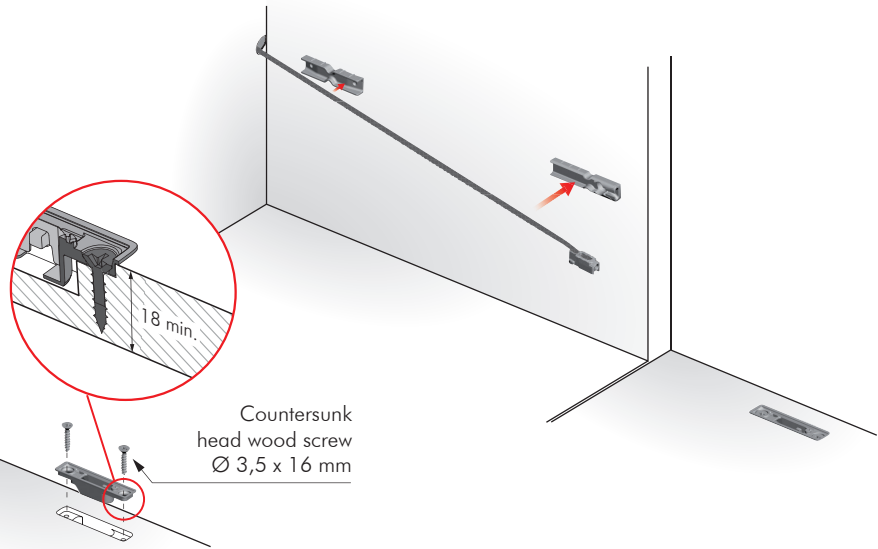




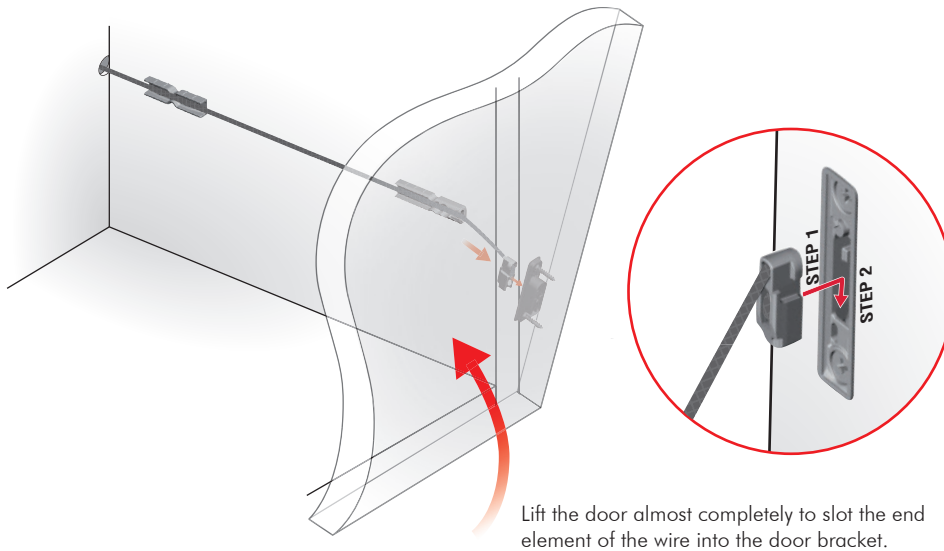
## BRACKETS INSTALLATION



## WIRE INSTALLATION



## WIRE INSERTION ONTO THE DOOR BRACKET



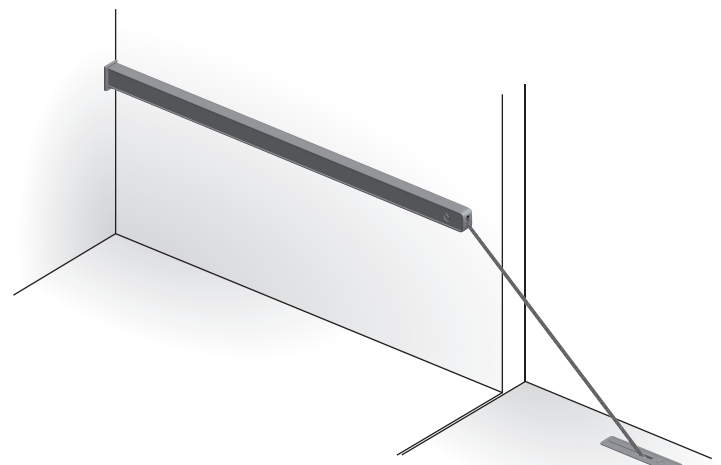
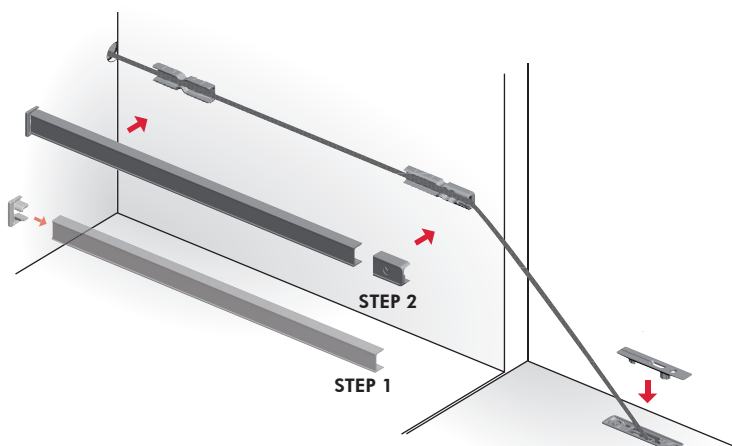
### STEP 1



### STEP 2

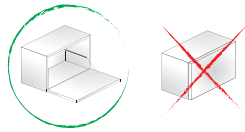
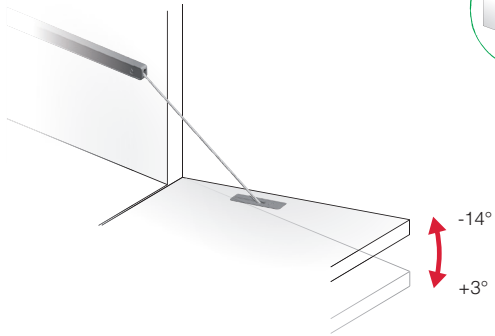


## COVER CAP AND ALUMINIUM LATERAL PROFILE INSERTION



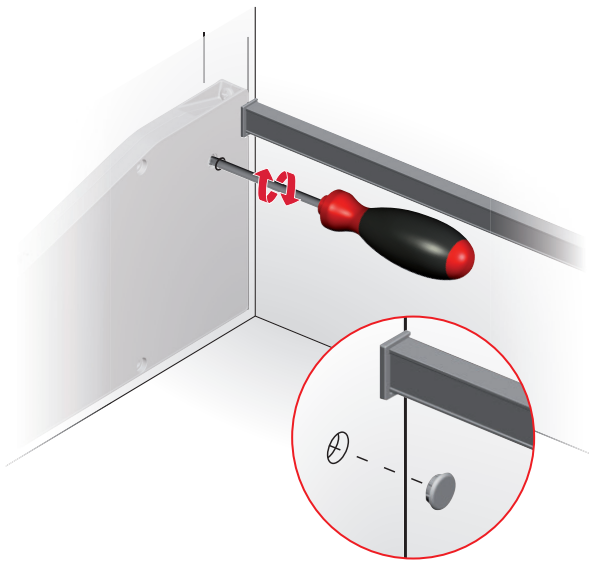
Place the cover cap on the door bracket before lifting the door.

## DOOR OPENING ANGLE ADJUSTMENT

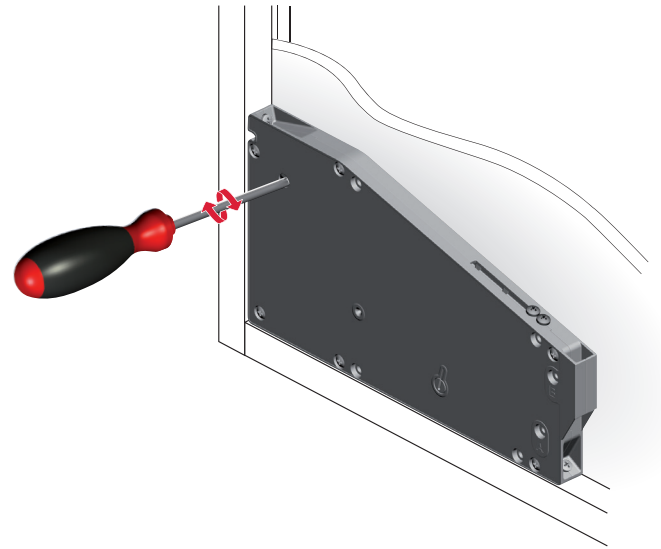


**VERY IMPORTANT:**  
The opening angle adjustment can be carried out only with open door.

### FROM THE INSIDE OF THE CABINET



### FROM THE BACKSIDE OF THE CABINET



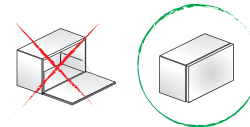
8

## ADJUSTMENT OF STRENGTH SETTINGS

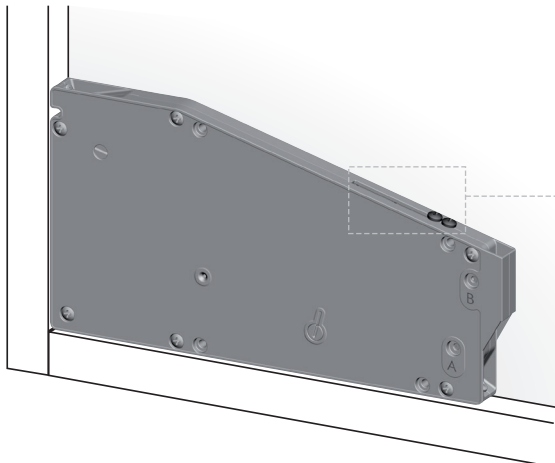
Possibility to adjust the settings of the mechanism also upon completed assembly.  
For details refer to the related section.

**VERY IMPORTANT:**  
Before proceeding, make sure:

- 1) The door is completely closed.



- 2) The mechanism is completely in position.



**OK**

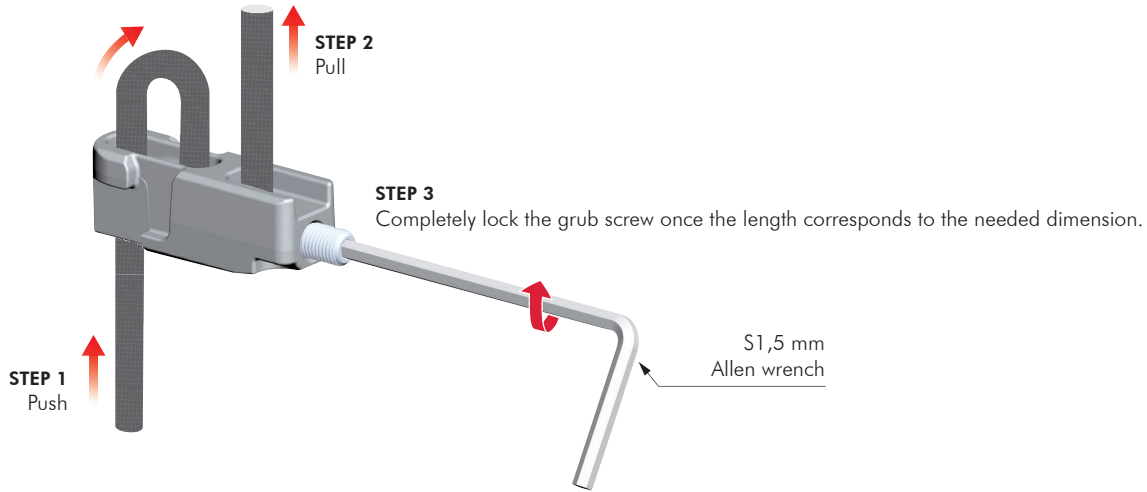
**NO**

In this case put the small flap in position with a screwdriver.

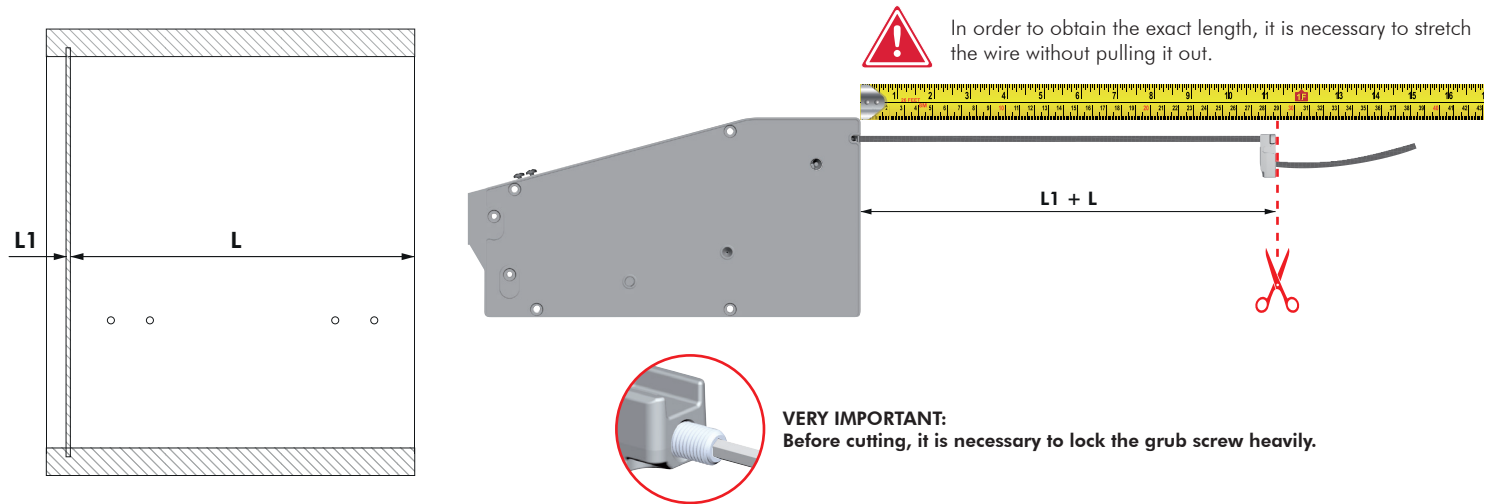


## INSTRUCTIONS FOR WIRE CUTTING

### INSERTION OF THE WIRE INTO THE END PART AND LOCKING WITH M3 GRUBSCREW

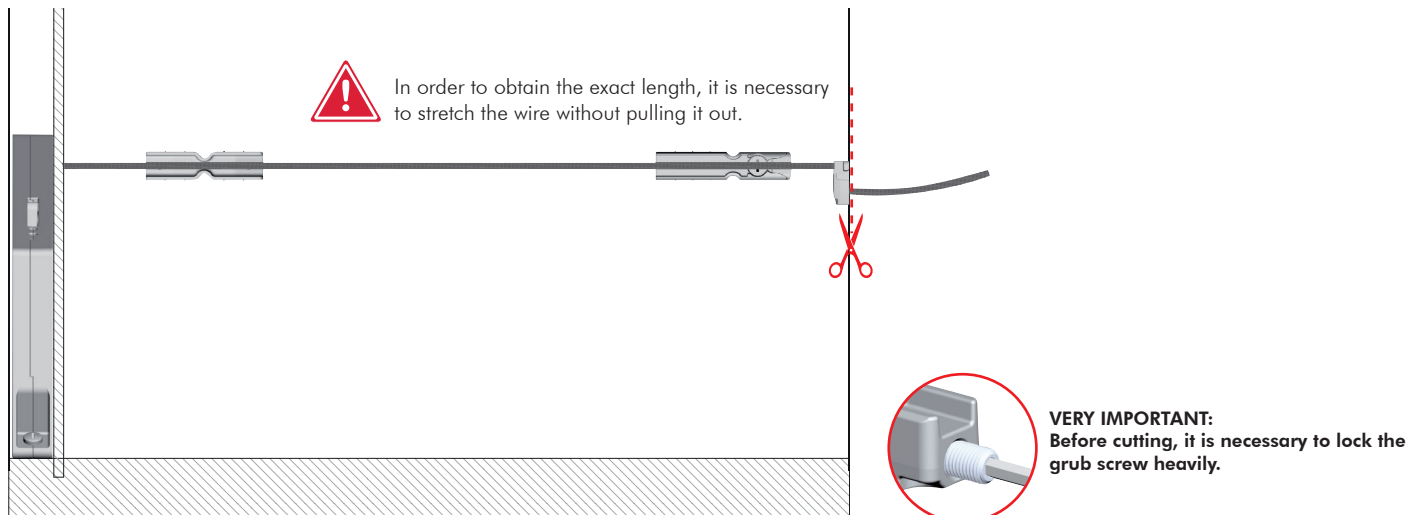


### WIRE CUTTING WITH UNMOUNTED MECHANISM



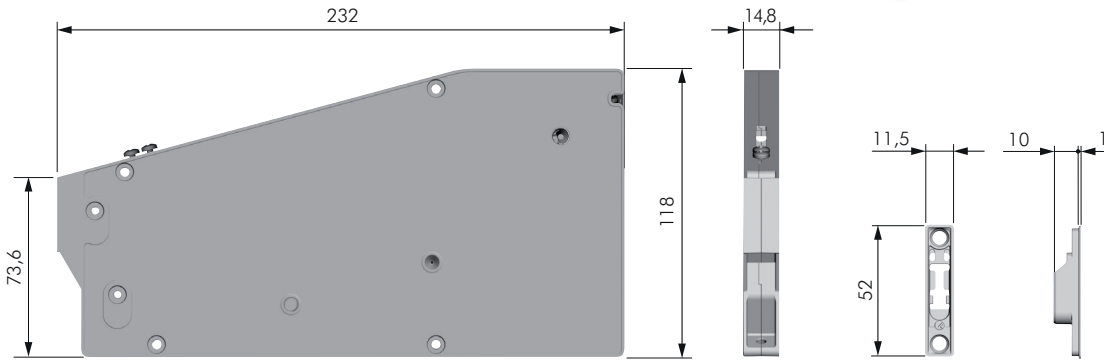
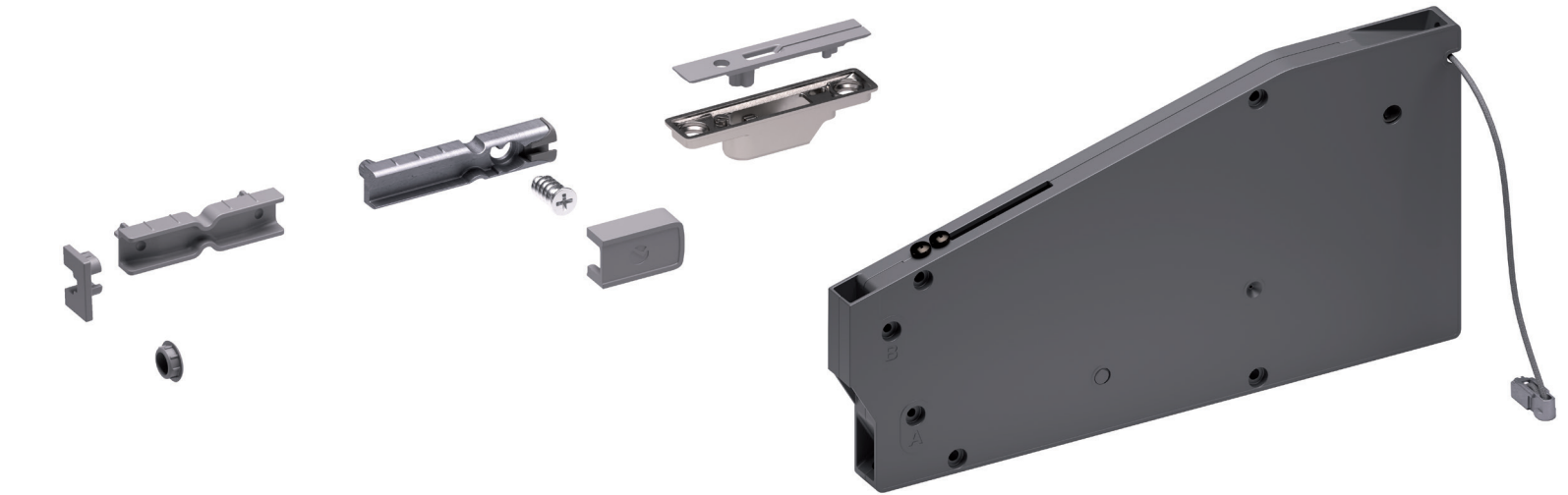
8

### WIRE CUTTING WITH MOUNTED MECHANISM





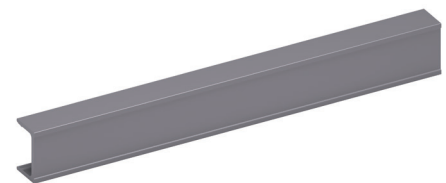
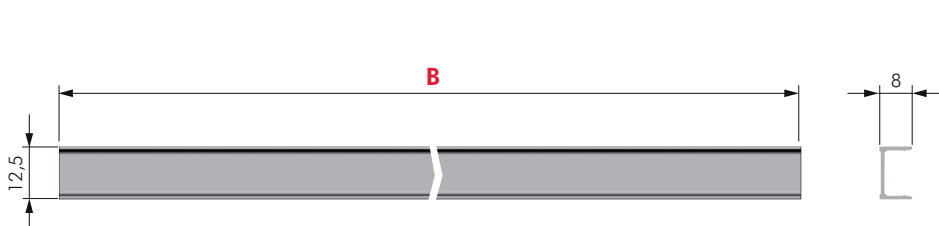
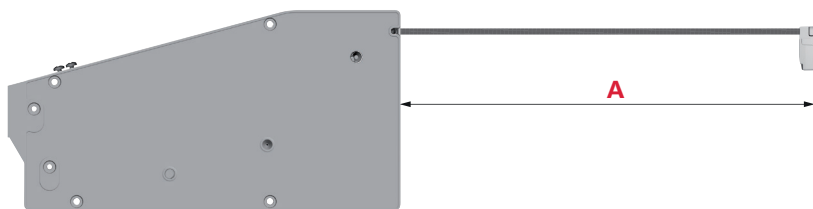
# OPENING SYSTEMS FOR LIFT UP AND DROP DOWN DOORS



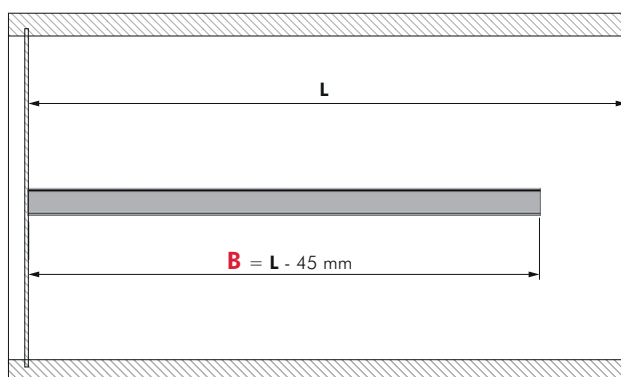
ZA	EP	ST	= 12 pcs.
			<b>A</b> (mm)
<b>KIARO</b>	<b>46006000YA</b>	<b>YQ</b>	600
<b>KIARO S</b>	<b>46106000YA</b>	<b>YQ</b>	

NOTE: Possibility to supply the wire with customized length (A).

8



### CUT TO SIZE RULE:



AL	= 12 pcs.		
			<b>B</b> (mm)
<b>46205500UT</b>	<b>FV</b>		550

NOTE: Possibility to supply the aluminium profile with customized length (B).

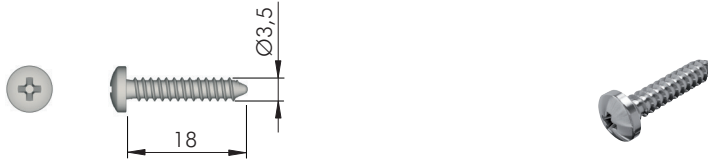
Finishes matching between cover caps and alu. profiles:

YA → UT  
YQ → FV





## ACCESSORIES FOR MECHANISM FIXING

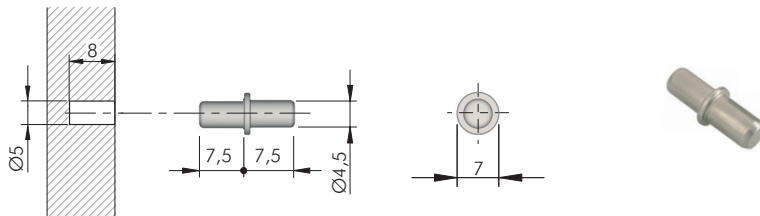


ST

= 10.000 pcs.



**60103150ZN**



ST

= 5000 pcs.



**10101010ZN**



## ACCESSORY FOR DOOR BRACKET FIXING



ST

= 10.000 pcs.



**60101390ZN**



## ACCESSORY FOR LOCKING THE GRUB SCREW



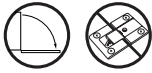
ST

= 1000 pcs.

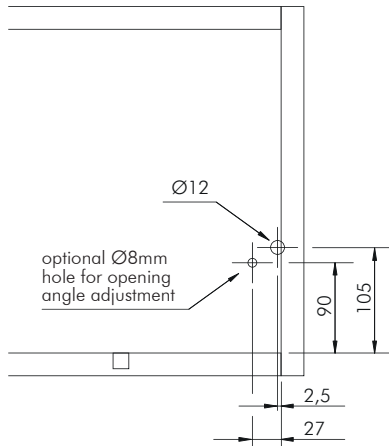


**62501050ZN**

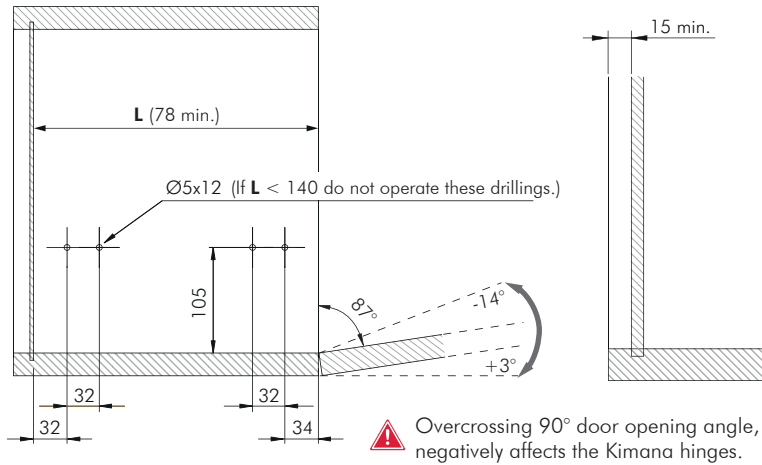
## KIARO WITH KIMANA HINGE



### BACK-PANEL DRILLING OPERATIONS

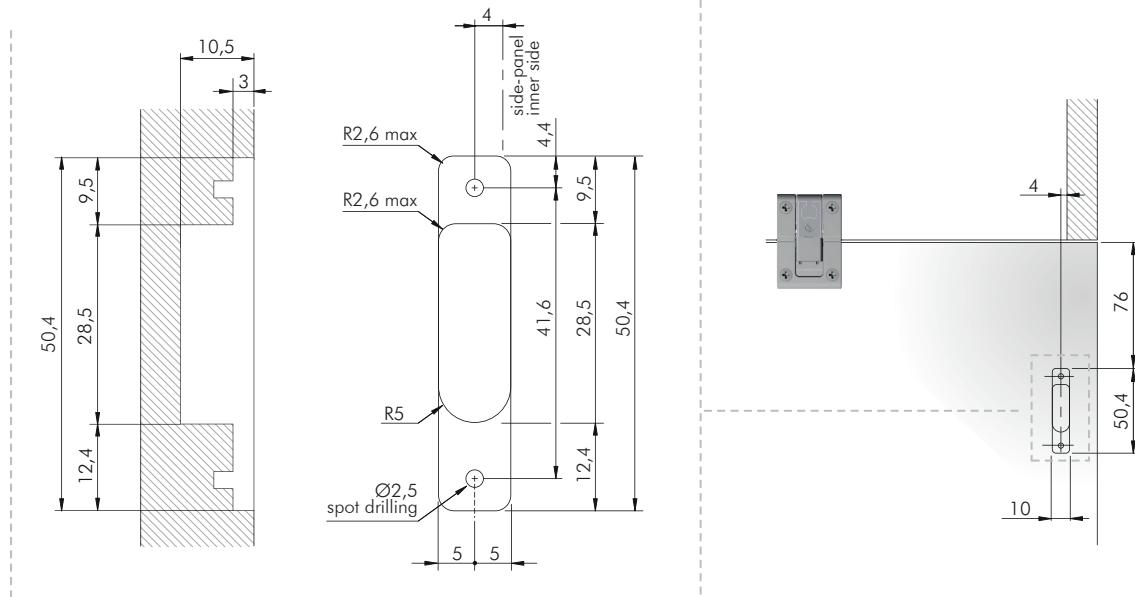


### SIDE-PANEL DRILLING OPERATIONS



In case of door without handles it is recommended to use **K Push Tech with buffer**.

### DOOR PANEL DRILLING OPERATIONS



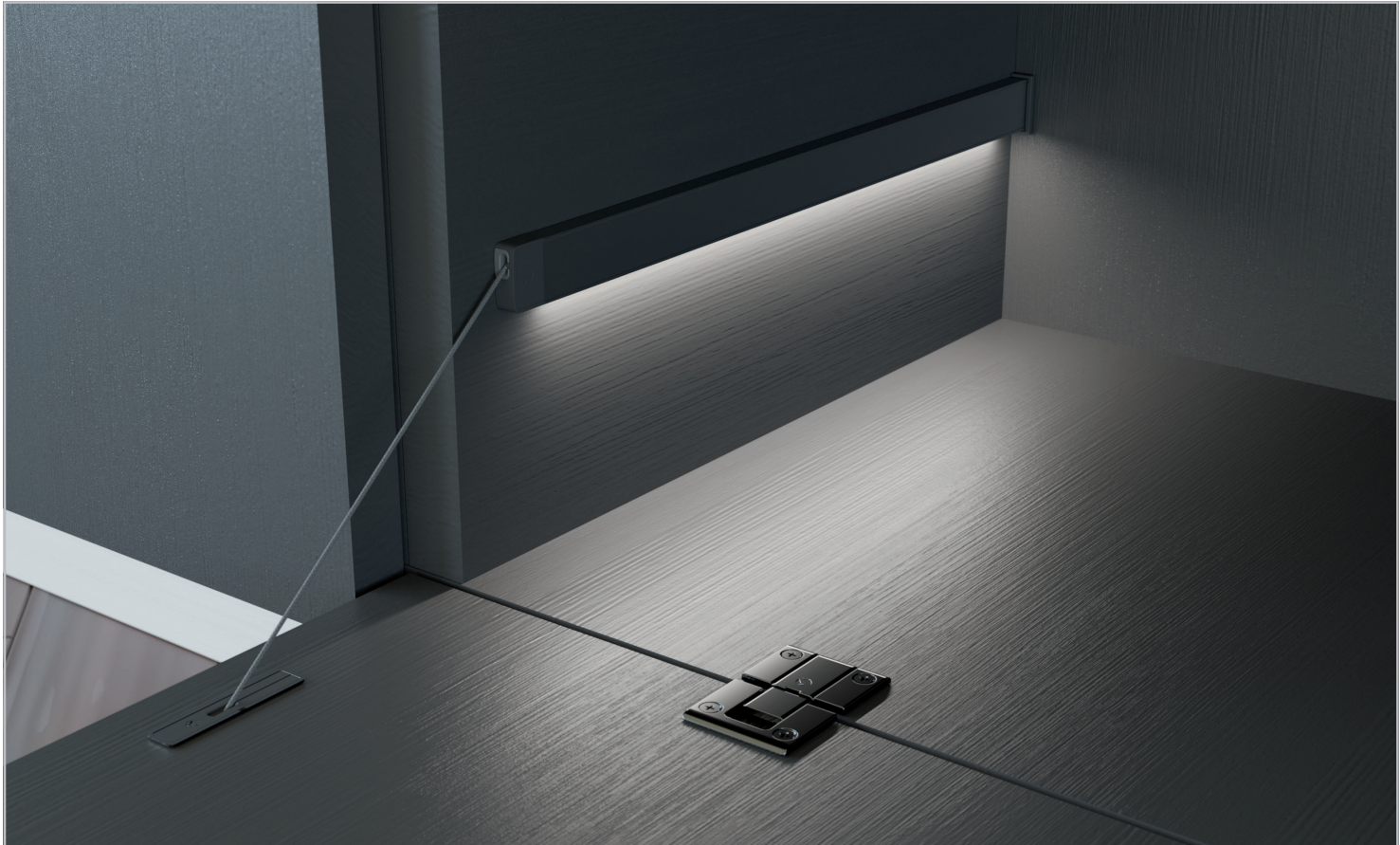
## KIARO WITH STANDARD UNSPRUNG HINGES



In case other hinges than KIMANA are used, it is necessary to contact an authorized dealer for a correct drilling scheme. For this purpose, use the form on the Italiana Ferramenta website (product KIARO) to provide the required specifications.



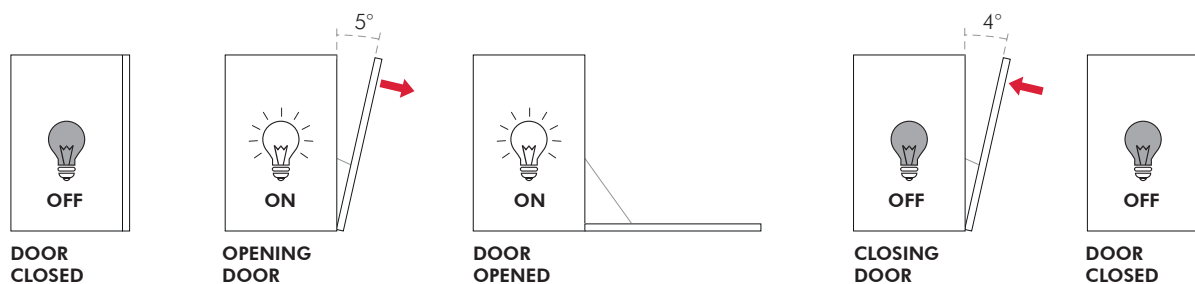
## KIARO LED



The mechanism can be supplied with an integrated device operating as an on-off switch for the internal light, coordinated with the door opening and closing, adding a homely ambiance and a touch of luxury.

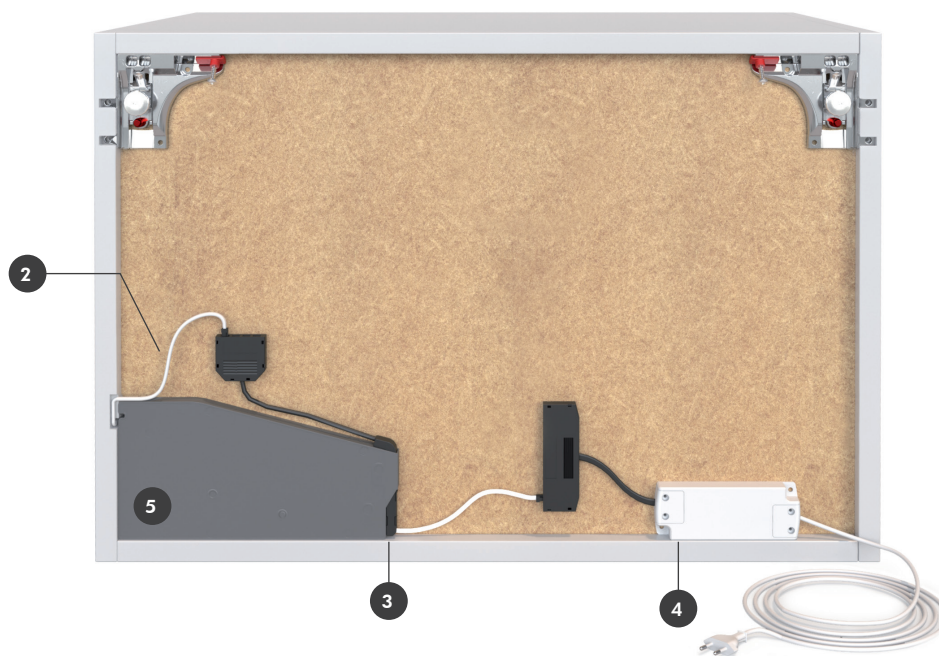
The lighting device of KIARO is to be installed on the concealed mechanism and can work either for the lateral profile with integrated LED strip or for other lighting appliances placed inside the cabinet.

Thanks to this bespoke device, it is no longer required to make special drilling operations to install visible opening detectors.





## COMPONENTS FOR APPLICATIONS WITH 1 KIARO LED



1 1 x KIARO LED ALUMINIUM PROFILE (page 8.14)  
1 x COVER CAPS SET (page 8.14)

2 1 x LED FLEXIBLE STRIP (page 8.15)

3 1 x SENSOR FOR KIARO LED (page 8.14)

4 1 x CHARGER (page 8.15)

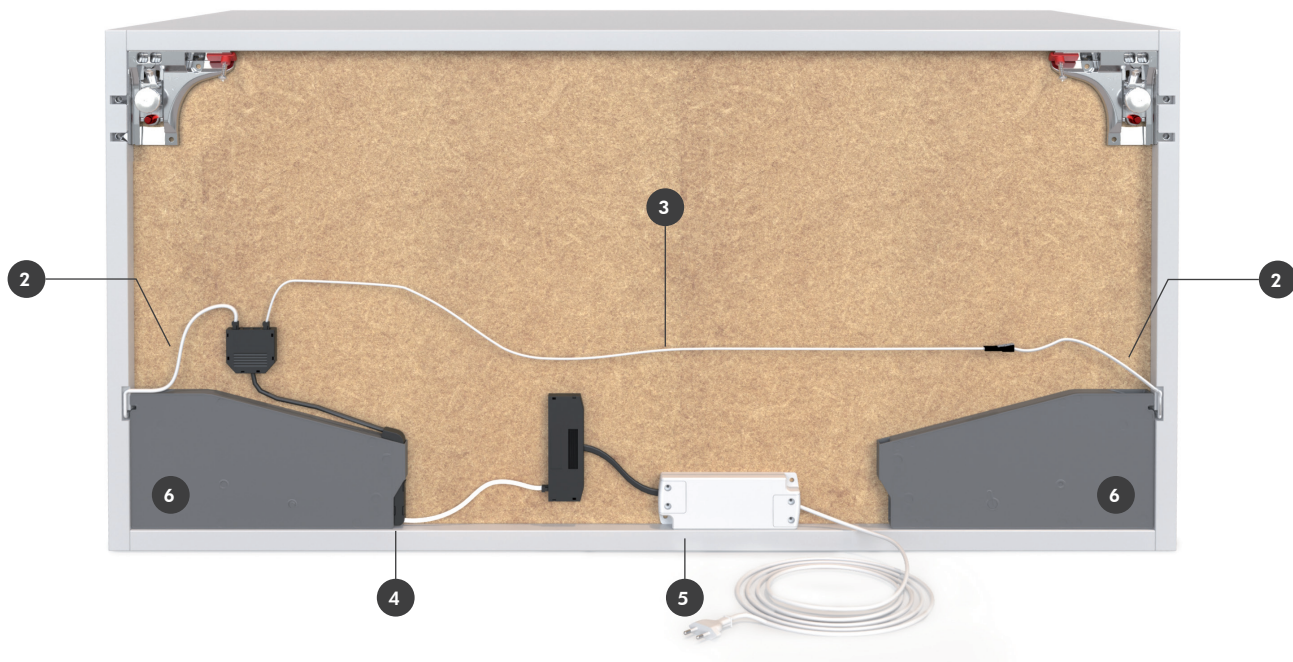
5 KIT MECHANISM KIARO or KIARO S (with door brackets) (page 8.8)



For the correct mechanism settings please refer to the dedicated section.



## COMPONENTS FOR APPLICATIONS WITH 2 KIARO LED



1 2 x KIARO LED ALUMINIUM PROFILE (page 8.14)  
1 x COVER CAPS SET (page 8.14)

2 2 X LED FLEXIBLE STRIP (page 8.15)

3 1 X EXTENSION CABLE (page 8.16)

4 1 X SENSOR FOR KIARO LED (page 8.14)

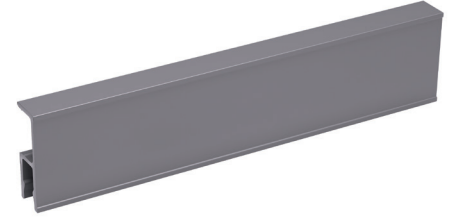
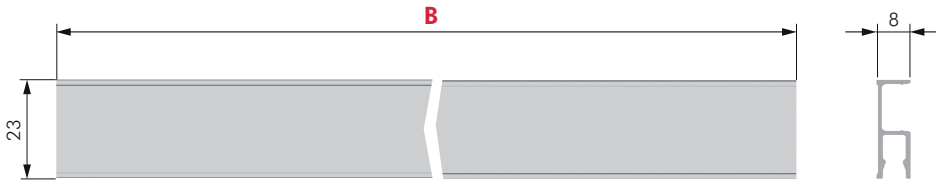
5 1 X CHARGER (page 8.15)

6 KIT MECHANISM KIARO or KIARO S (with door brackets) (page 8.8)

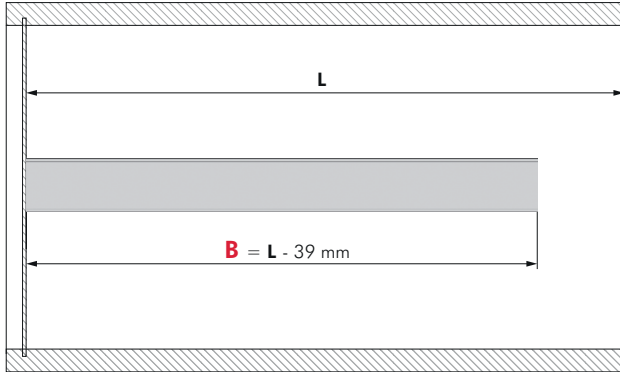


For the correct mechanism settings please refer to the dedicated section.

## KIARO LED ALUMINIUM PROFILE



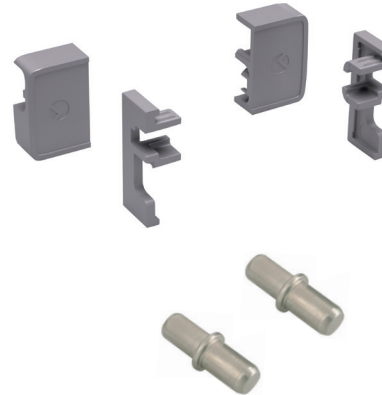
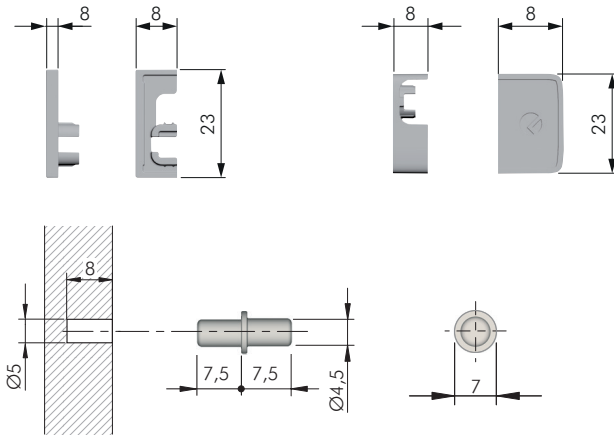
CUT TO SIZE RULE:



AL	= 12 pcs.
46505500UT	FV
	<b>B (mm)</b> 550

NOTE: Possibility to supply the aluminium profile with customized length (B).

## COVER CAPS SET

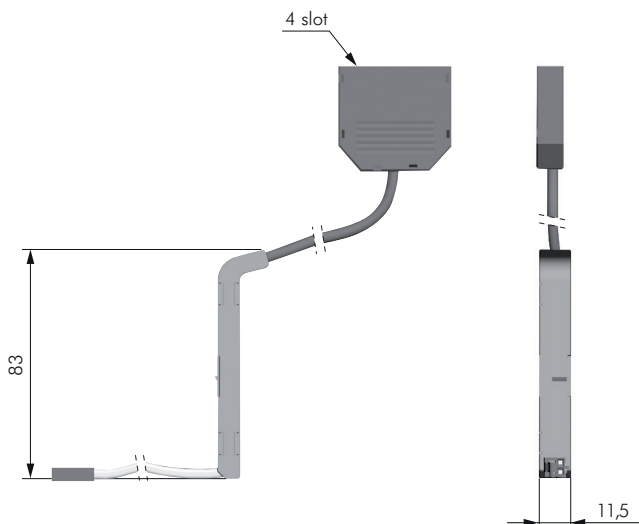


EP	= 1 pc.
46303140EW	EE

NOTE: Finishes matching between cover caps and alu. profiles:

EW → UT  
EE → FV

## SENSOR FOR KIARO LED

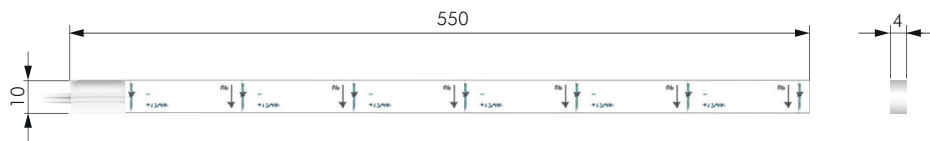


Maximum output:  
30 Watt with light 12Vdc  
60 Watt with light 24Vdc

4670600000	= 12 pcs.
------------	-----------

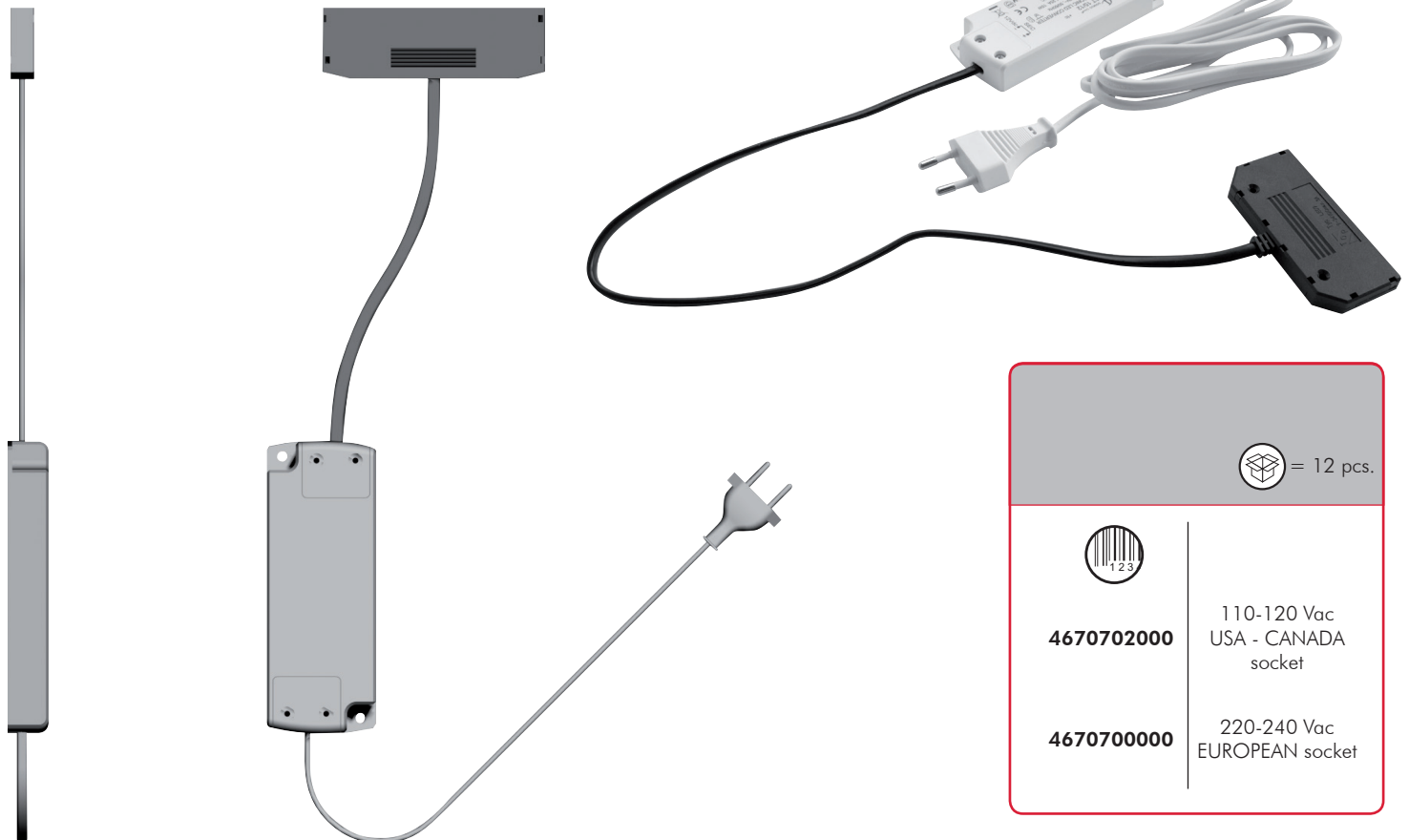


## LED FLEXIBLE STRIP



= 12 pcs.	
123 <b>46601000AB</b>	<b>LED Colour temperature</b> 4000 K

## CHARGER



= 12 pcs.	
123 <b>4670702000</b>	110-120 Vac USA - CANADA socket
<b>4670700000</b>	220-240 Vac EUROPEAN socket

The chargers images shown here are for illustrative purposes only.



## EXTENSION CABLE



Length: 2000 mm

= 12 pcs.

123

4670601000

## CUSTOMER LIGHTING CONNECTORS

8



Length: 150 mm

Male connector

= 12 pcs.

123

4670602000



Length: 150 mm

Female connector

= 12 pcs.

123

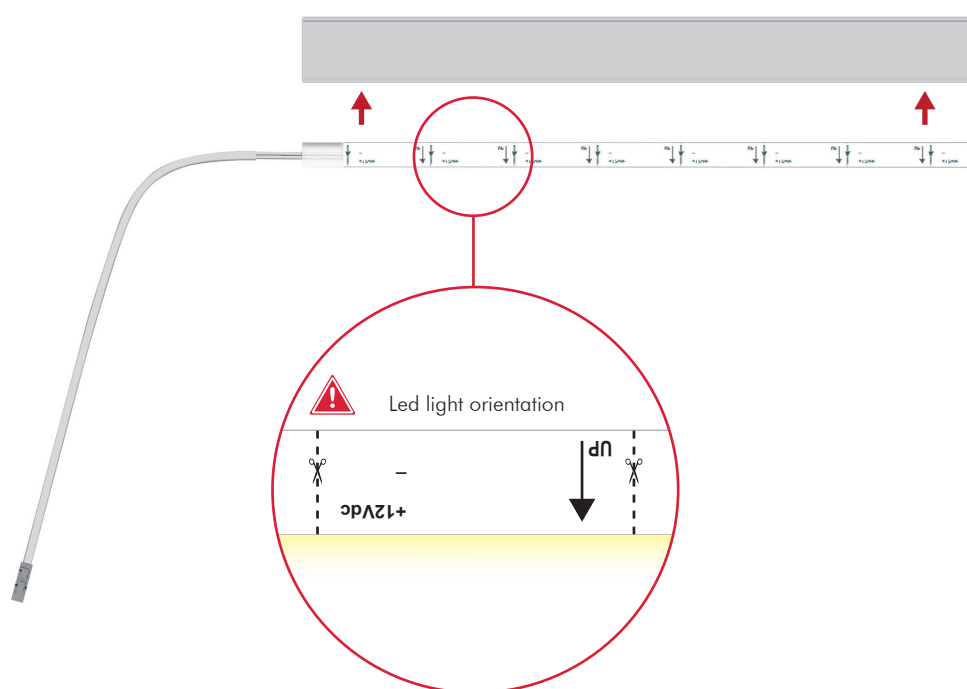
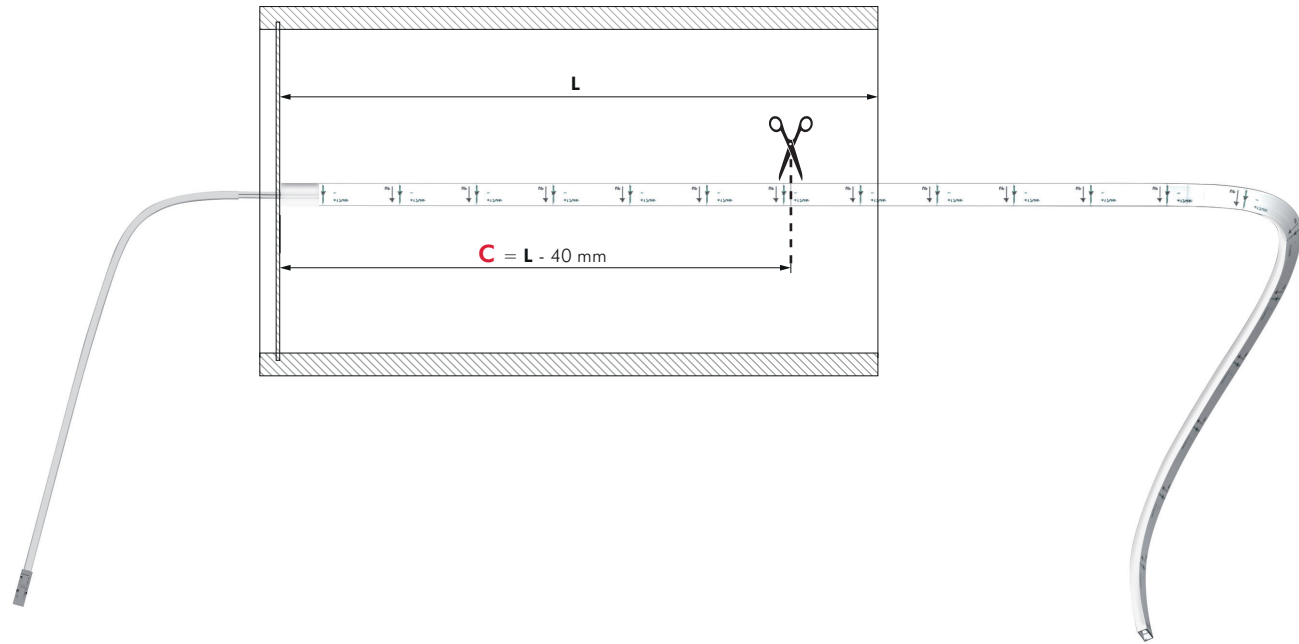
4670603000





## KIARO LED INSTALLATION

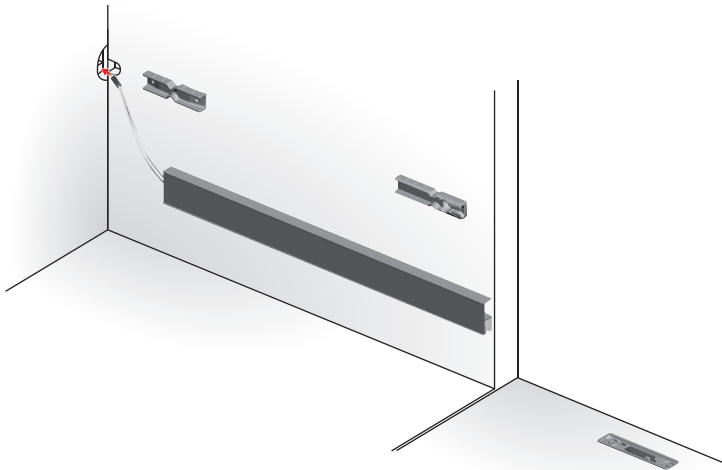
HOW TO CUT ON SIZE AND INSTALL THE LED FLEXIBLE STRIP.



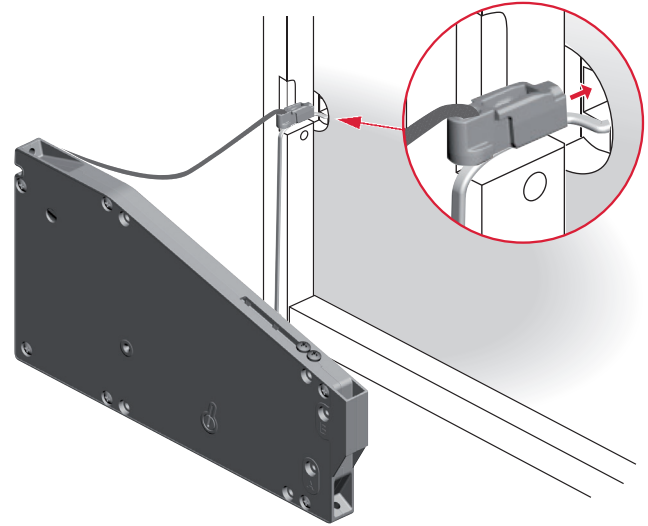


# OPENING SYSTEMS FOR LIFT UP AND DROP DOWN DOORS

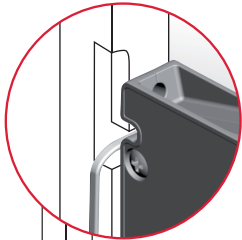
LED STRIP ELECTRICAL WIRE INSERTION THROUGH THE BACKSIDE HOLE



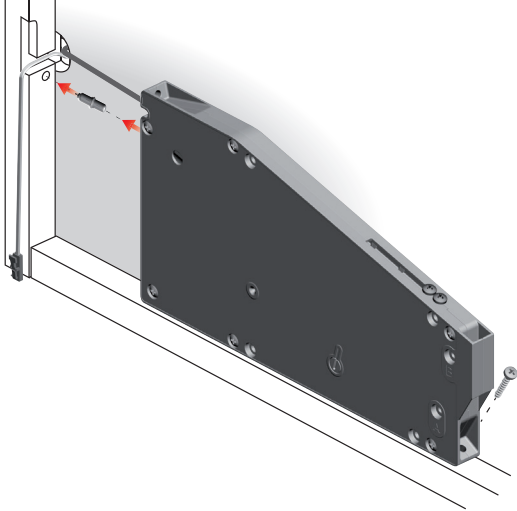
MECHANISM INSTALLATION



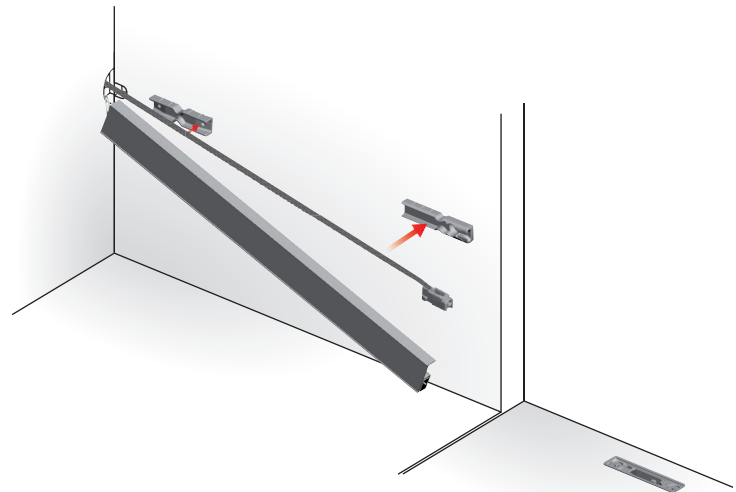
MECHANISM FIXING



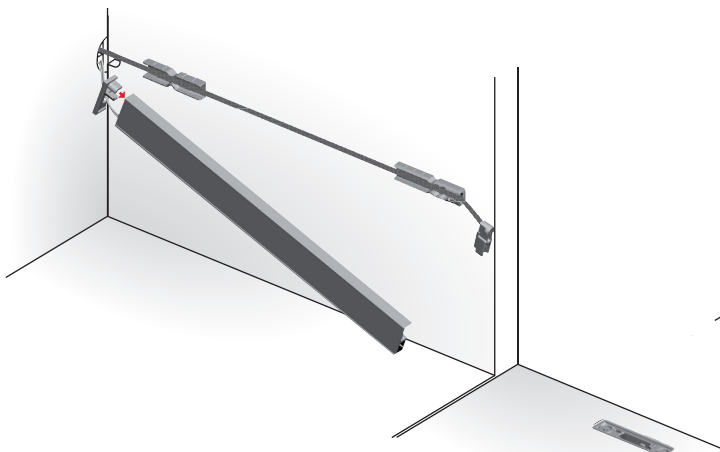
Pull the power cable of the led strip through the drilling spot on the cabinet side, before fixing the main mechanism.



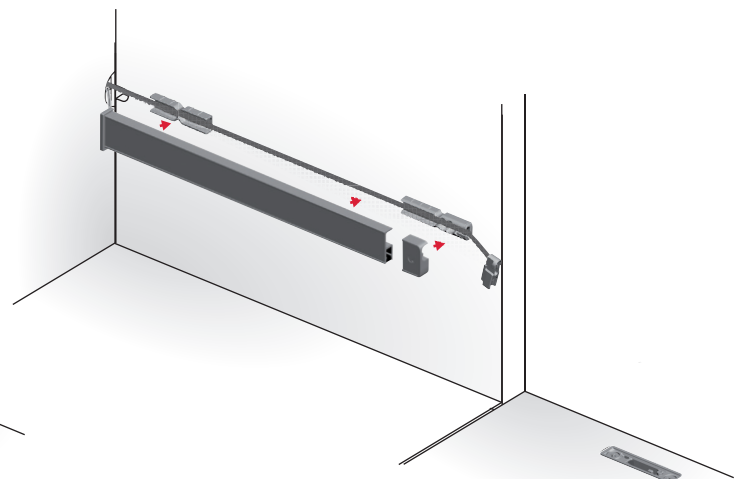
WIRE INSTALLATION



INSERTION OF THE BACKSIDE COVER FOR ALU. PROFILE

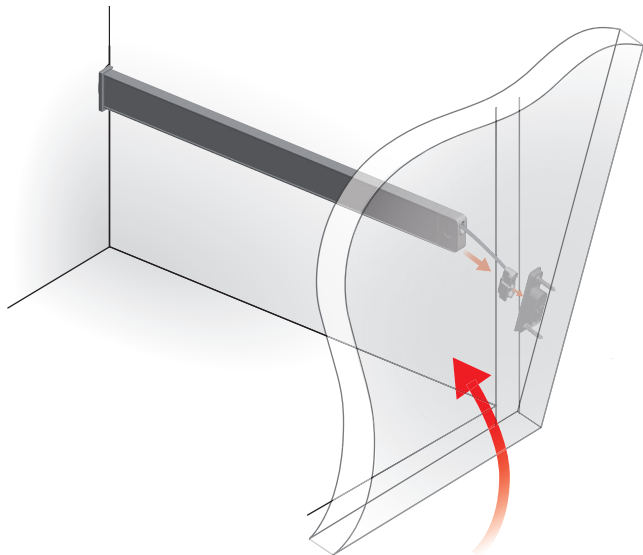


COVER CAPS AND ALUMINIUM LATERAL PROFILE INSERTION

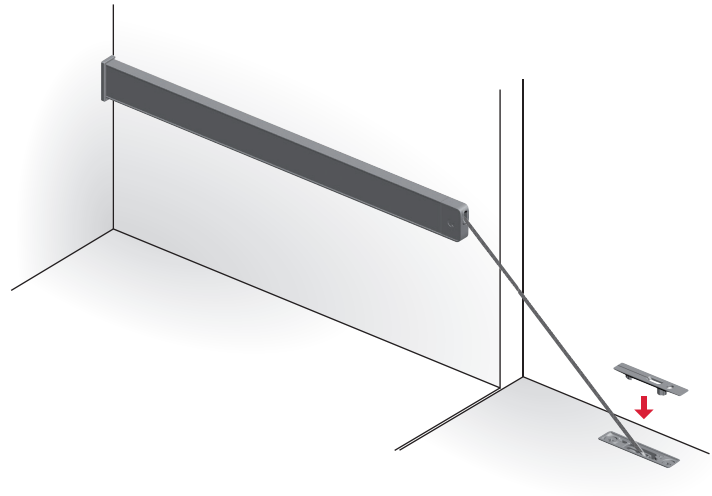




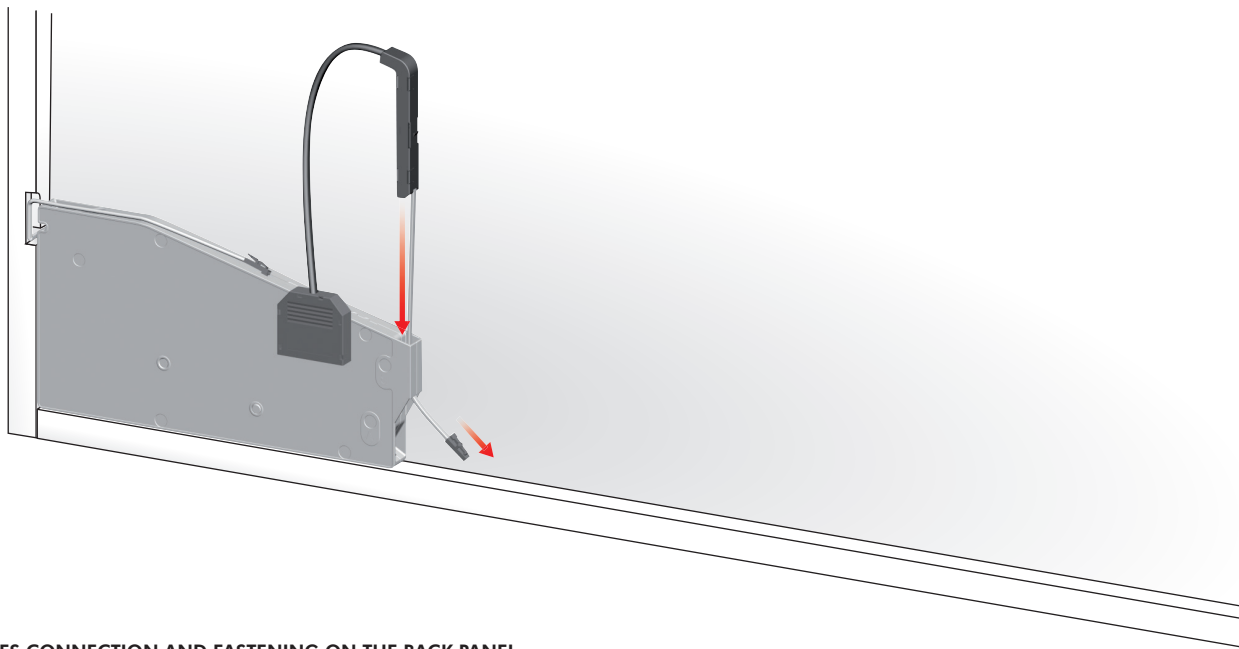
## WIRE INSERTION ONTO THE DOOR BRACKET



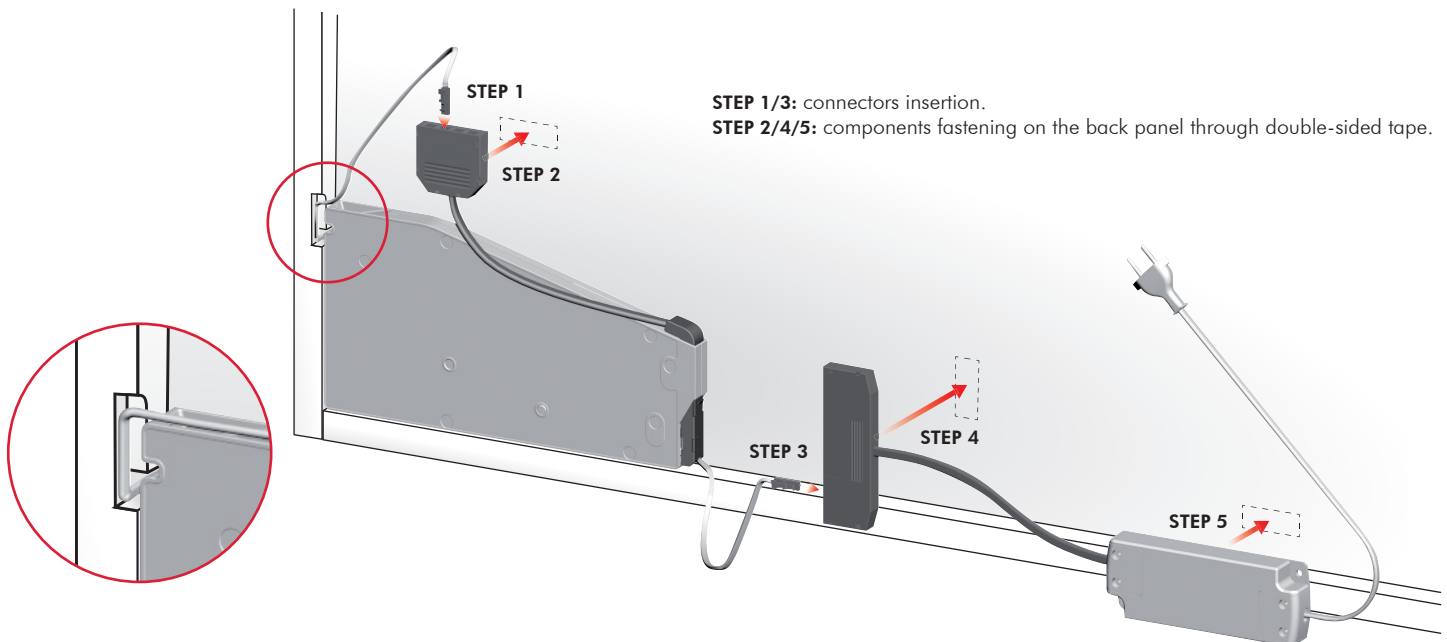
## COVER CAP FOR DOOR BRACKET INSERTION



## SENSOR INSTALLATION

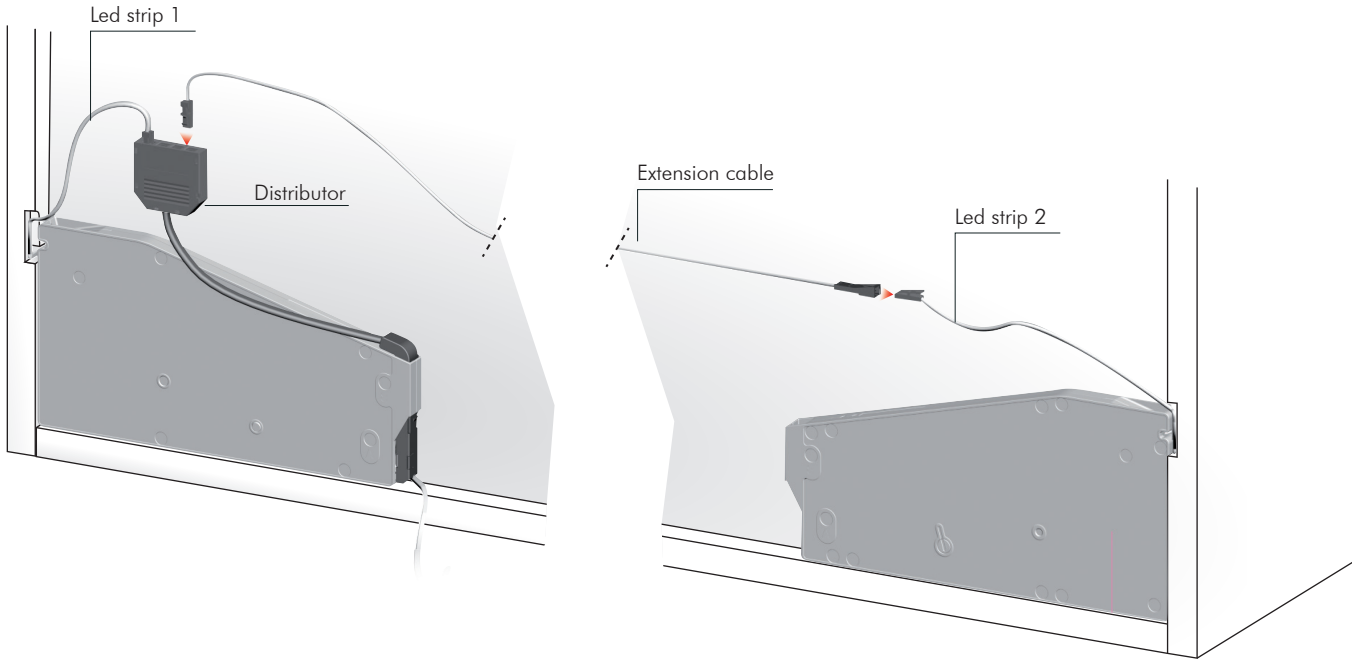


## DEVICES CONNECTION AND FASTENING ON THE BACK PANEL.



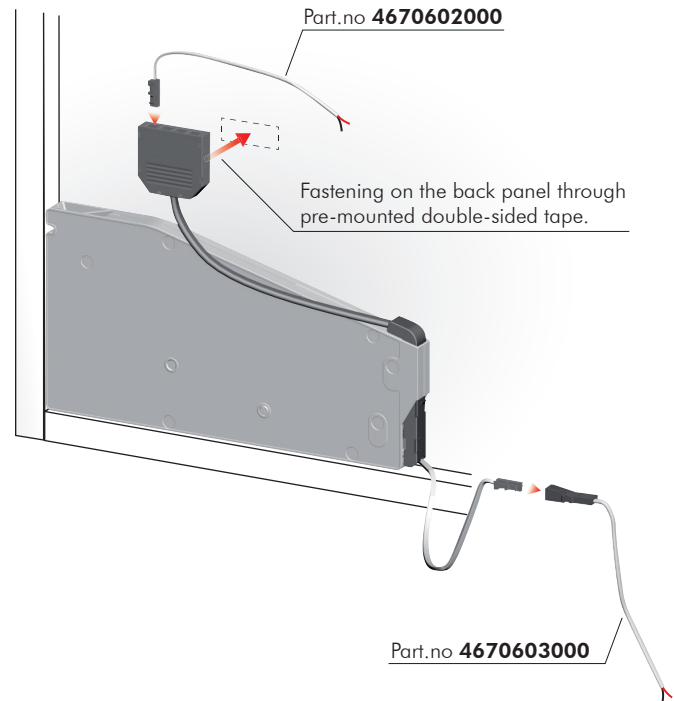
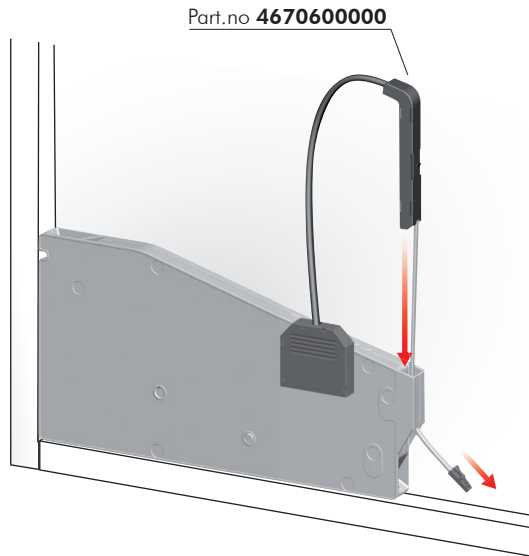


## EXTENSION CABLE CONNECTION WITH LED STRIP CONNECTORS

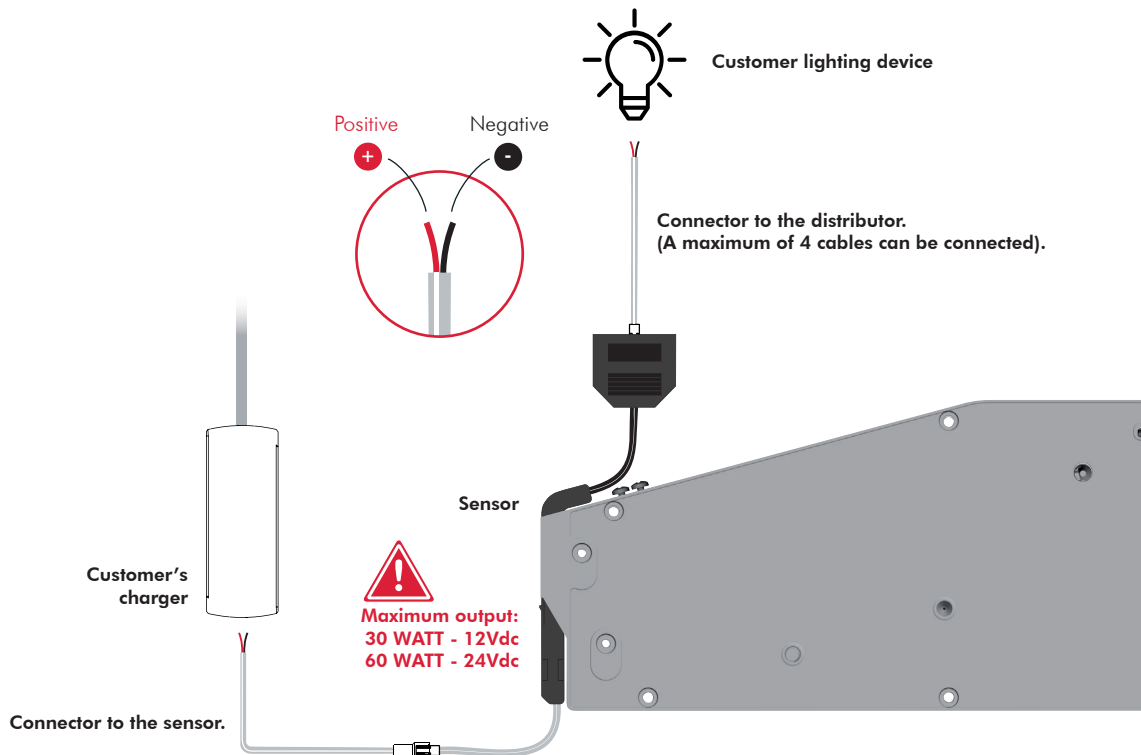




## KIARO WIRING DIAGRAM FOR CUSTOMER LIGHTING



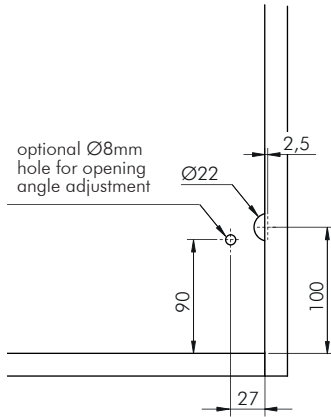
Each door must be connected to only one sensor, no matter how many mechanism are installed.



## KIARO LED WITH KIMANA HINGE

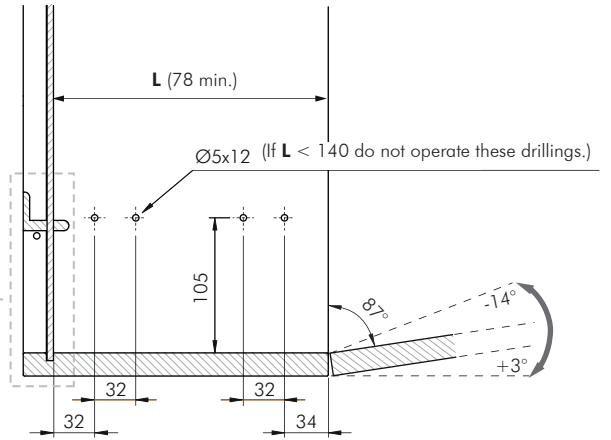
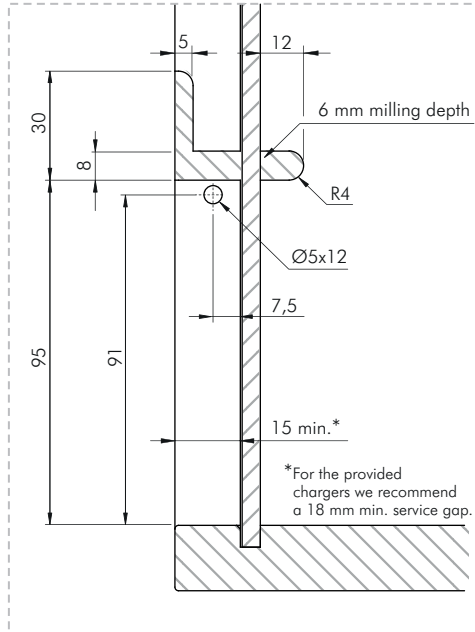


### BACK-PANEL DRILLING OPERATIONS



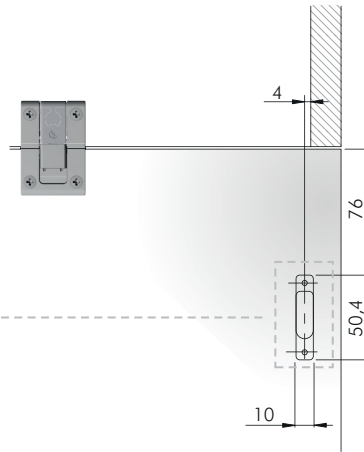
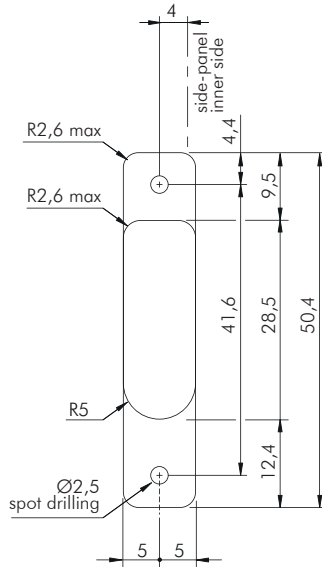
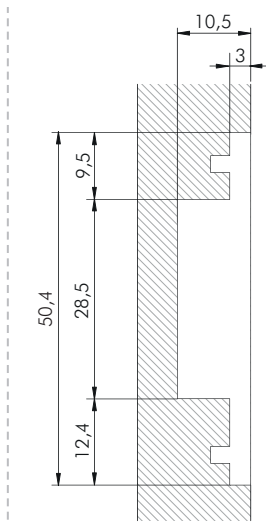
In case of door without handles it is recommended to use **K Push Tech with buffer**.

### SIDE-PANEL DRILLING OPERATIONS



**⚠** Overcrossing 90° door opening angle, negatively affects the Kimana hinges.

### DOOR PANEL DRILLING OPERATIONS



## KIARO LED WITH STANDARD UNSPRUNG HINGES



In case other hinges than KIMANA are used, it is necessary to contact an authorized dealer for a correct drilling scheme. For this purpose, use the form on the Italiana Ferramenta website (product KIARO) to provide the required specifications.

# OTHER APPLICATIONS OF KIARO

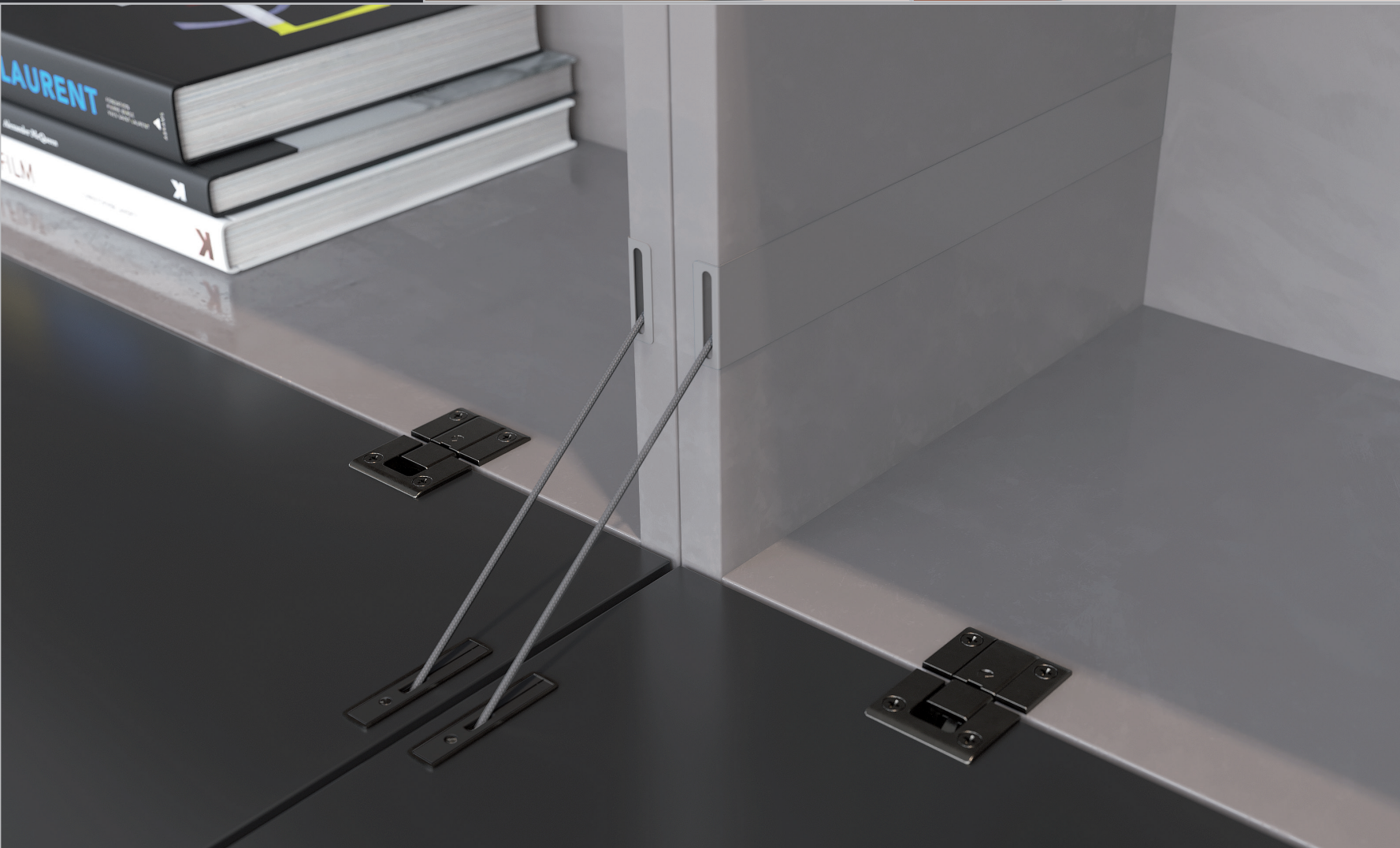
*Door bracket for  
screw fixing without  
milling on the door*



*Door bracket for  
aluminium doors*



*Kiara Skin*



# Kiara Fox



# Kiara Deck

