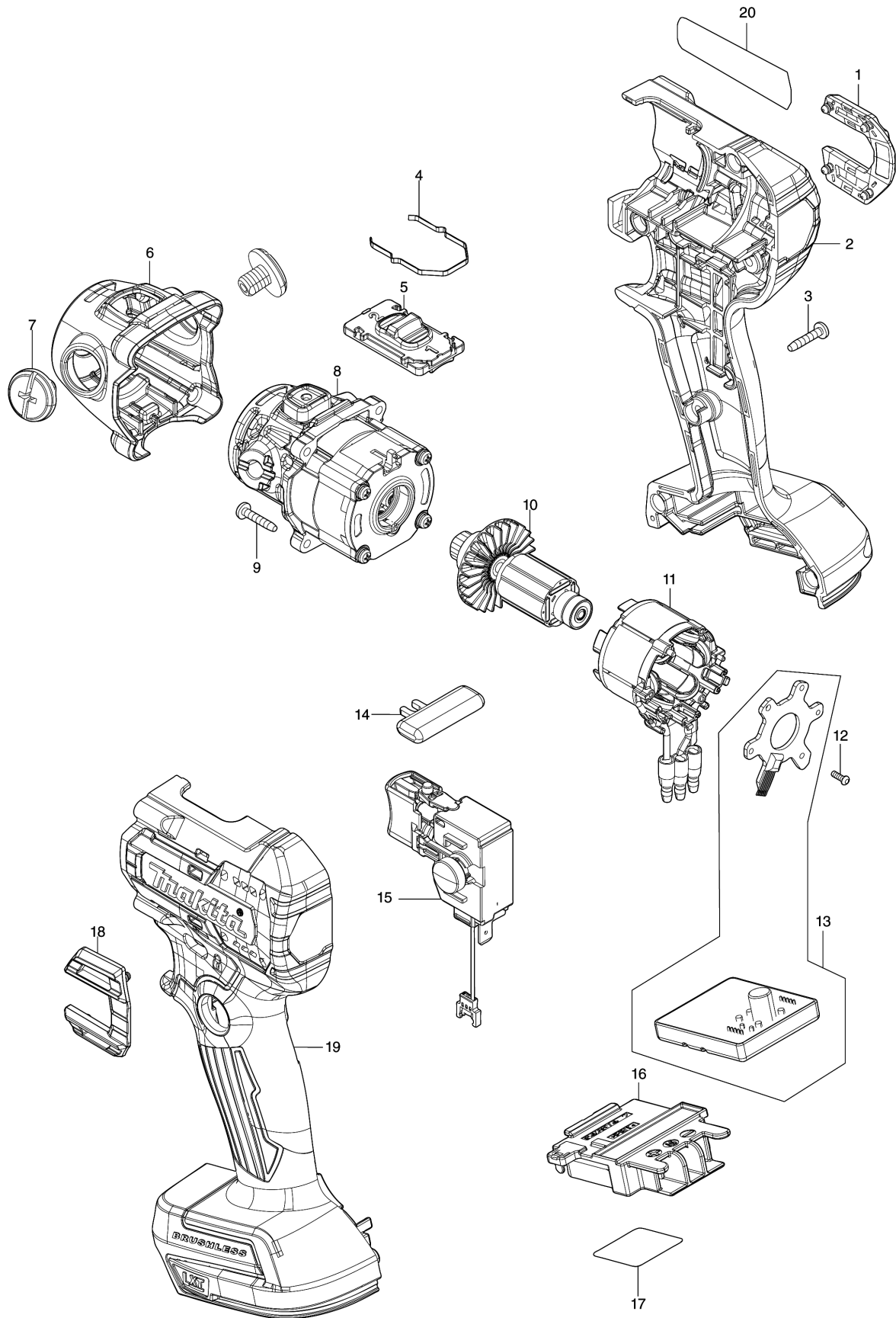


Model No.DPV300 75MM CORDLESS SANDER POLISHER



## Model No.DPV300 75MM CORDLESS SANDER POLISHER

Position	Référence pièce	Description	Echange	QTE	New/Old	Option 1	Option 2	COMMENTAIRE
001	422613-1	DUST COVER		1				
002	191P12-1	HOUSING SET		1				
C10	8028C3-7	INDICATION LABEL		1				
C20	263005-3	CHEVILLE CAOUTCHOUC 6		2		65	P2	
D10		INC. 19						
003	266130-9	VIS PT 3X16		7		0	P1	
004	232659-7	LEAF SPRING		1				
005	127720-2	SPEED CHANGE LEVER ASSEMBLY		1				
C10	232636-9	COMPRESSION SPRING 3		2				
006	413228-5	HEAD COVER		1				
007	413229-3	+ROUND HEAD SCREW M8X10		2				
008	127721-0	GEAR ASSEMBLY		1				
009	266130-9	VIS PT 3X16		4		0	P1	
010	619663-7	ROTOR		1				
011	629A36-2	STATOR		1				
012	266490-9	VIS PT 2X6		3			P1	
013	620D22-4	CONTROLLER		1				
014	412697-7	LOCK OFF BUTTON		1				
015	651489-1	SWITCH C3JW-4B-L6		1				
016	643874-2	TERMINAL		1			P5	
017	858B92-3	DPV300 SERIAL NO. LABEL		1				
018	422613-1	DUST COVER		1				
019	191P12-1	HOUSING SET		1				
C10	8028C3-7	INDICATION LABEL		1				
C20	263005-3	CHEVILLE CAOUTCHOUC 6		2		65	P2	
D10		INC. 2						
020	858B84-2	DPV300 NAME PLATE		1				
A01	140X75-2	GRIP 30 COMPLETE		1				
A02	191N90-9	SPONGE PAD 80 SET		1				
A03	191N91-7	SPONGE PAD 80 SET		1				
A04	191N92-5	WOOL PAD 80 SET		1				
A05	743124-6	PAD 50		1				
A06	743125-4	PAD 75		1				
A07	743126-2	ADAPTER		1				
A08	821550-0	COFFRET MAKPAC2		1		8	A28	
C10	453974-8	LOQUET		4		0	P1	
A09	835V03-5	INNER TRAY		1				
A10A	8027Y1-9	DPV300ZJ PLASTIC CASE LABEL		2				
A10B	8027Y3-5	DPV300RTJ PLASTIC CASE LABEL		2				
A11A	8027Y0-1	DPV300ZJ INDICATION LABEL		1				
A11B	8027Y2-7	DPV300RTJ INDICATION LABEL		1				
A12B	197280-8	BATTERIE BL1850B 18V 5A		2			A45	

Please order the parts with part number.

Print Date 8/2/2021

## Model No.DPV300 75MM CORDLESS SANDER POLISHER

Position	Référence pièce	Description	Echange	QTE	New/Old	Option 1	Option 2	COMMENTAIRE
A13B	450128-8	BATTERY COVER		1		0	P1	
A14B	***DC18RC	DC18RC FAST CHARGER		1			A42	
D10		COMPO-PARTS						

Please order the parts with part number.

Print Date 8/2/2021