



# Batten Holder

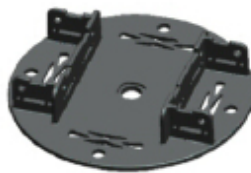


## DPH-2-PP-SA + Base Support



DPH2 Plot  
35-53mm

+



Base Support  
2mm

+

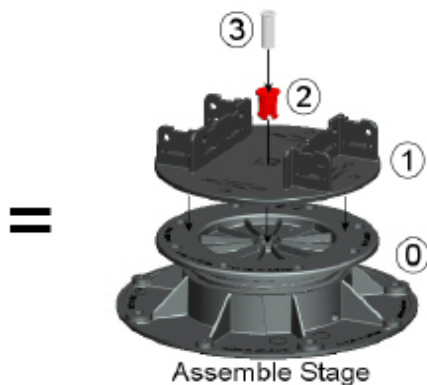


Rack Medium

+



Pin clips  
25mm



Assemble Stage

=



complete Assemble  
37-55mm



# Applications

