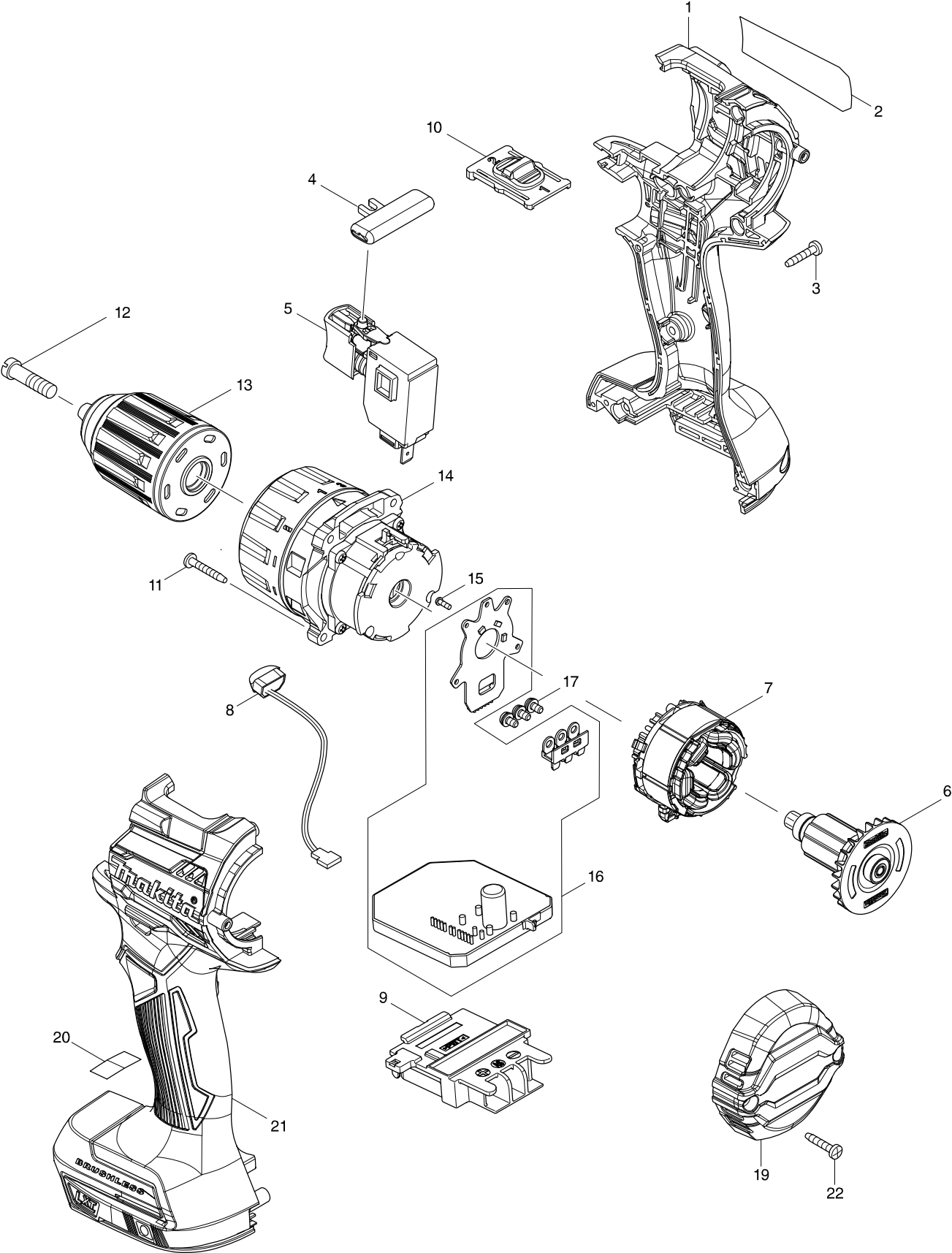


Numéro du modèle DDF484 CORDLESS DRIVER DRILL



Numéro du modèle DDF484 CORDLESS DRIVER DRILL

Position	Référence pièce	Description	Echelle	QTE	N/O	Option 1	Option 2	COMMENTAIRE
001	183E71-3	HOUSING SET		1				
C10	263005-3	RUBBER PIN 6		2		P2		
C20	252126-6	HEX. LOCKING NUT M4-7		2		P2		
D10		INC. 21						
002	852M14-1	DDF484 NAME PLATE		1				
003	266429-2	TAPPING SCREW 3X16		7		P1		
004	419041-9	F/R CHANGE LEVER		1		P1		
005	650710-5	SWITCH C3JW-4B		1				
006	619406-7	ROTOR		1				
007	629225-3	STATOR		1				
008	620549-0	LED CIRCUIT		1				
009	643874-2	TERMINAL		1				
010	123738-1	SPEED CHANGE LEVER ASSEMBLY		1				
C10	233438-6	COMPRESSION SPRING 4		2		P1		
011	251497-8	TAPPING SCREW 3X20		4				
012	251468-5	- FLAT HEAD SCREW M6X22		1		P1		
013	766027-7	KEYLESS DRILL CHUCK 13		1				
014	123737-3	GEAR ASSEMBLY		1				
015	266490-9	TAPPING SCREW PT 2X6		3				
016	620548-2	CONTROLLER		1				
017	652069-6	FLAT HEAD SCREW M3X6		3				
019	456967-4	REAR COVER		1				
021	183E71-3	HOUSING SET		1				
C10	263005-3	RUBBER PIN 6		2		P2		
C20	252126-6	HEX. LOCKING NUT M4-7		2		P2		
D10		INC. 1						
022	266429-2	TAPPING SCREW 3X16		2		P1		
A01	251314-2	+ SCREW M4X12		1		P1		
A02	346317-0	HOOK		1		A3		
A03	784637-8	+/- BIT 2-45		1		A4		
A04B	821550-0	CONNECTOR PLASTIC CASE (TYPE2)		1		A28		
C10	453974-8	LATCH		4		P1		
A04C	821550-0	CONNECTOR PLASTIC CASE (TYPE2)		1		A28		
C10	453974-8	LATCH		4		P1		
A04D	821550-0	CONNECTOR PLASTIC CASE (TYPE2)		1		A28		
C10	453974-8	LATCH		4		P1		
A05B	450128-8	BATTERY COVER		1		P1		
A05C	450128-8	BATTERY COVER		1		P1		
A05D	450128-8	BATTERY COVER		2		P1		
A06B	***DC18RC	DC18RC FAST CHARGER		1				
D10		COMPO-PARTS						
A06C	***DC18RC	DC18RC FAST CHARGER		1				
D10		COMPO-PARTS						
A06D	***DC18RC	DC18RC FAST CHARGER		1				
D10		COMPO-PARTS						
A07B	197265-4	BATTERY BL1840B SET		2				
A07C	197280-8	BATTERY BL1850B SET		2				
A07D	197600-6	BATTERY BL1830B SET		3				

