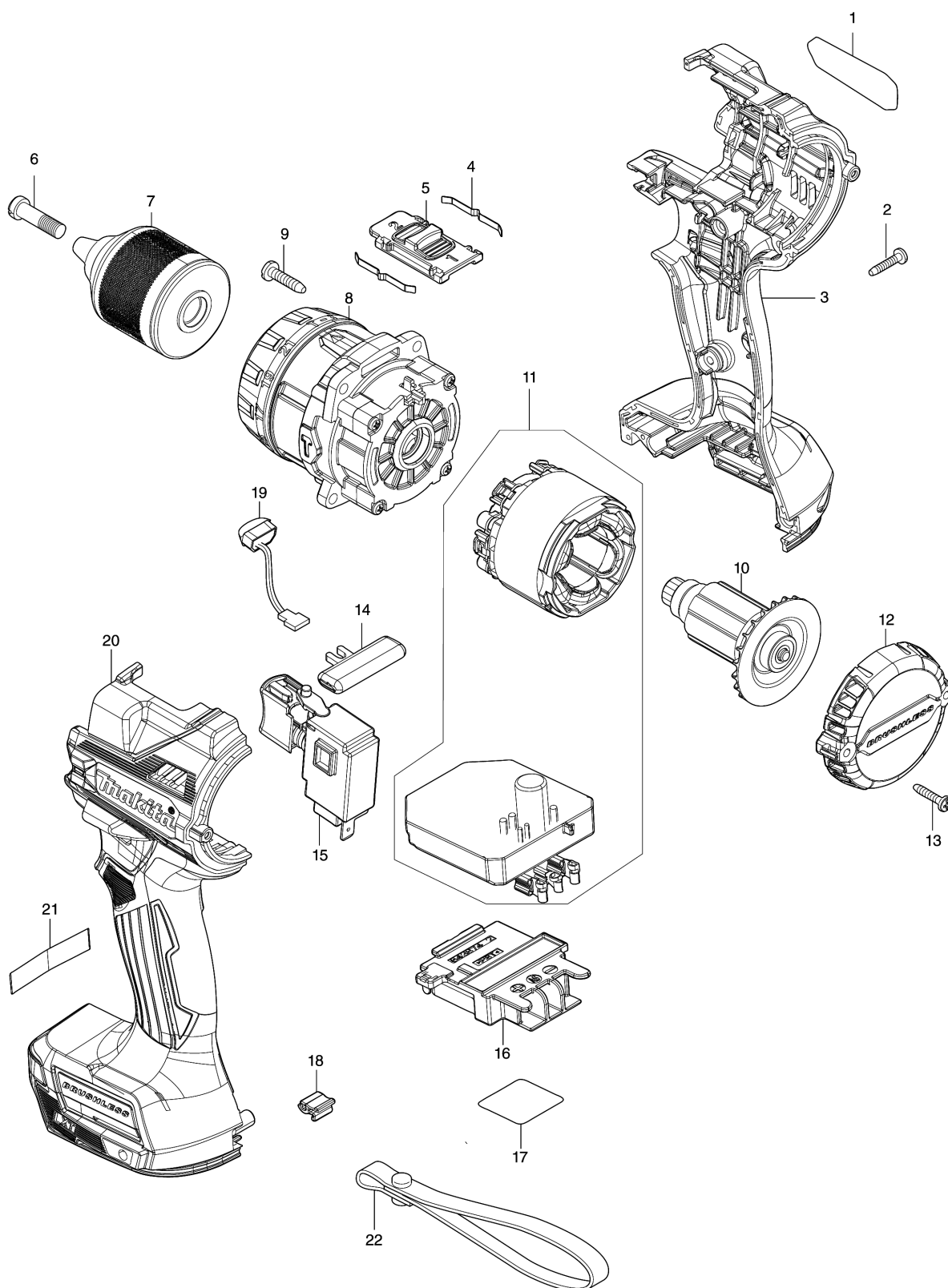


Model No.DHP486 CORDLESS HAMMER DRIVER DRILL



Model No.DHP486 CORDLESS HAMMER DRIVER DRILL

Position	Référence pièce	Description	Echange	QTE	New/Old	Option 1	Option 2	COMMENTAIRE
001	811B29-1	DHP486 NAME PLATE		1				
002	266130-9	VIS PT 3X16		7		0	P1	
003	183R83-4	HOUSING SET		1				
C10	263005-3	CHEVILLE CAOUTCHOUC 6		2		65	P2	
C20	252126-6	ECROU NYLSTOP HEX M4-7		2		65	P2	
D10		INC. 20						
004	232220-0	RESSORT A LAMES		2		0	P1	
005	127494-5	SPEED CHANGE LEVER ASSEMBLY		1				
C10	233438-6	RESSORT DE COMPRESSION 4		2		0	P1	
006	251468-5	VIS TETE PLATE (-) M6X22		1		0	P1	
007	763252-1	KEYLESS DRILL CHUCK 13		1				
008	127698-9	GEAR ASSEMBLY		1	*			
008-1	122A92-6	GEAR ASSEMBLY	<	1				
009	266326-2	VIS 4x18		4		65	P2	
010	619656-4	ROTOR		1				
011	629A33-8	STATOR COMPLETE		1				
012	413405-9	REAR COVER		1				
013	266130-9	VIS PT 3X16		2		0	P1	
014	419041-9	LEVIER DE POSITION		1		0	P1	
015	651443-5	SWITCH C3JR-4B		1				
016	643874-2	TERMINAL		1			P5	
017	811B36-4	DHP486 SERIAL NO. LABEL		1				
018	424517-3	COUSSIN		1		0	P1	
019	620549-0	CIRCUIT LED		1			P6	
020	183R83-4	HOUSING SET		1				
C10	263005-3	CHEVILLE CAOUTCHOUC 6		2		65	P2	
C20	252126-6	ECROU NYLSTOP HEX M4-7		2		65	P2	
D10		INC. 3						
A01	122576-8	GUIDE DE PROFONDEUR		1		1	A7	
A02	127701-6	GRIP ASSEMBLY		1				
C10	140U91-6	POLE COMPLETE		1				
C20	140X19-2	ARM R COMPLETE		1				
C30	265785-7	VIS M5X10		1		0	P1	
C40	266886-4	BOULON HEX M8X65		1			P1	
C50	312A63-3	ARM L		1				
C60	931202-6	ECROU HEX STANDARD 5->252156-7		1			P2	
C70	962055-2	RONDELLE		1			P6	
A03	251314-2	VIS M4X12		2		0	P1	
A04	346317-0	CROCHET		1		0	A3	
A05	452947-8	SUPPORT D'EMBOU		1		6	A2	
A06	784637-8	EMBOU DBL (-+) 2-45 1P		2		1	A4	
A07B	821550-0	COFFRET MAKPAC2		1		8	A28	
C10	453974-8	LOQUET		4		0	P1	
A08B	837916-4	MOULAGE MAKPAC BDF343		1		3	A13	

Please order the parts with part number.

Print Date 24/5/2021

Model No.DHP486 CORDLESS HAMMER DRIVER DRILL

Position	Référence pièce	Description	Echange	QTE	New/Old	Option 1	Option 2	COMMENTAIRE
A09B	8030X6-3	DHP486RTJ INDICATION LABEL		1				
A10B	8030X7-1	DHP486RTJ PLASTIC CASE LABEL		2				
A11B	450128-8	BATTERY COVER		1		0	P1	
A12B	197280-8	BATTERIE BL1850B 18V 5A		2			A45	
A13B	***DC18RC	DC18RC FAST CHARGER		1			A42	

Please order the parts with part number.

Print Date 24/5/2021