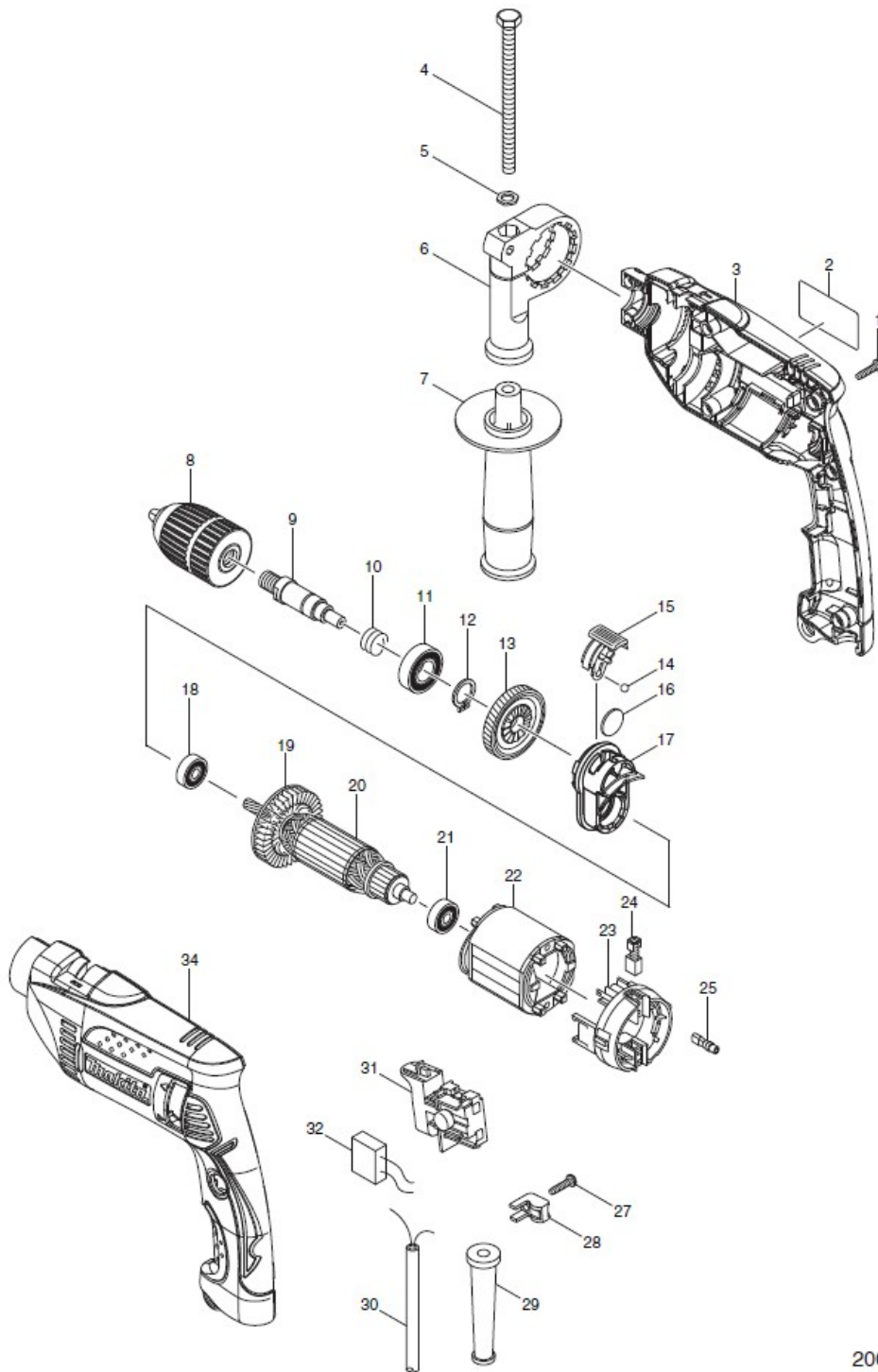


Perceuse à Percussion HP1641



2008/04
HP1641

Perceuse à Percussion HP1641



Item	Parts_No.	Parts_Description	Qty	Unit
1	265995-6	TAPPING SCREW 4X18	7	PC.
2	866006-6	HP1641 NAME PLATE	1	PC.
3	188611-2	HOUSING SET	1	SET
3	345399-9	PLATE	2	PC.
3		INC. 34	0	
4	265583-9	HEX. BOLT M8X120	1	PC.
5	345280-4	HEX. WASHER	1	PC.
6	417630-4	GRIP BASE	1	PC.
7	152489-9	GRIP 36 COMPLETE	1	PC.
8	192692-0	KEYLESS DRILL CHUCK	1	PC.
9	324397-6	SPINDLE	1	PC.
10	233389-3	COMPRESSION SPRING 15	1	PC.
11	211201-7	BALL BEARING 6002LLB	1	PC.
12	961055-9	RETAINING RING S-15	1	PC.
13	226579-5	HELICAL GEAR 45	1	PC.
14	216018-3	STEEL BALL 5.0	1	PC.
15	418319-7	CHANGE LEVER	1	PC.
16	345354-1	PLATE 19	1	PC.
17	153831-7	CAM HOLDER COMPLETE	1	PC.
18	210023-2	BALL BEARING 627DDW	1	PC.
19	240067-8	FAN 55	1	PC.
20	517458-1	ARMATURE ASS'Y 220-240V	1	PC.
20		INC. 181921	0	
21	211028-5	BALL BEARING 627LB	1	PC.
22	633568-7	FIELD 220-240V	1	PC.
23	638237-5	BRUSH HOLDER UNIT	1	PC.
24	191962-4	CARBON BRUSH CB-419	1	SET
25	686038-5	RECEPTACLE SLEEVE	2	PC.
27	265995-6	TAPPING SCREW 4X18	1	PC.
28	687260-7	STRAIN RELIEF	1	PC.
29	682502-4	CORD GUARD 8-85	1	PC.
30	665383-1	POWER SUPPLY CORD 1.0-2-2.0	1	PC.
31	650570-5	SWITCH TG843TB-2	1	PC.
32	645200-1	NOISE SUPPRESSOR	1	PC.
34	188611-2	HOUSING SET	1	SET
34	345399-9	PLATE	2	PC.
34		INC. 3	0	
A01	324219-0	DEPTH GAUGE	1	PC.
A02	824724-2	PLASTIC CARRYING CASE	1	PC.
A02	183091-7	SLIDE LATCH RL SET	1	SET
A02-1	824923-6	PLASTIC CARRYING CASE	1	
A02A	824674-1	PLASTIC CASE	1	PC.
A02A	417496-2	LATCH	2	PC.
A02A	417497-0	HANDLE	1	PC.
A02A	418263-8	PLASTIC CASE LID	1	PC.
A02A	418264-6	PLATE	3	PC.
A03	D-08660	DRILL BIT ASSORTMENT	1	SET
A04	809489-7	HP1641K1X MODEL NO. LABEL	1	