

**SHORT RALLENTY ARM (150 MM)**
**02041**
**Functions**

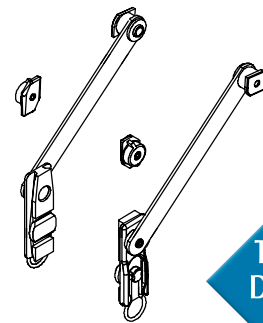
The arm limits the opening of an aluminium bottom-hung window by slowing down its stroke during the stop stage. Short arm (150 mm) for standard-height bottom-hung windows.

**Finish**

Rough

**Packaging**

Box of 10 pieces


**Technical features**

Rallenty slows down the window at the end of its opening stroke, thus preventing the worrying and annoying slam as the window closes (patented Giesse system).

Rallenty is completely fitted to the guide with just one 2.5 mm Allen key adjustment. No need for profile drilling or machining. Fit Rallenty once the entire frame has been assembled. There is no need to insert plates or other fittings in the channels prior to final assembly.

The device can therefore be fitted to existing frames without having to dismantle them.

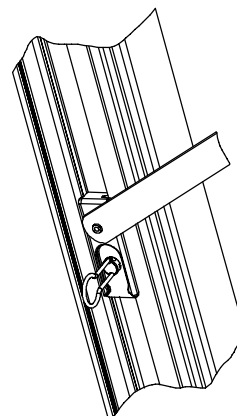
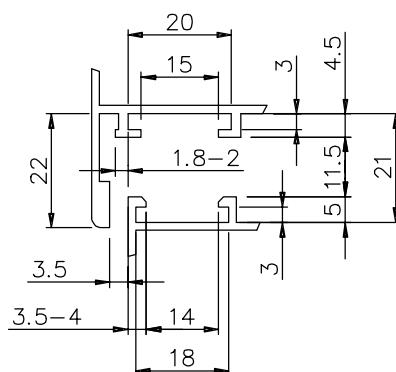
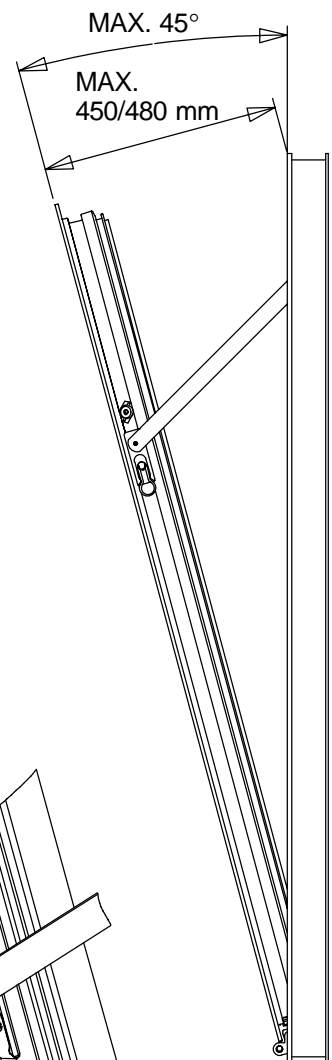
Rallenty has a simple lever to release it easily from the opening frame. The release is very easy to operate and means that the window is easy to clean from the outside.

Using Rallenty, the bottom-hung window can be fitted to the frame without having to cut the channels.

In this way, the window frame manufacturer can forget an operation which is standard on all other types of frame, which reduces the time required and, therefore, production costs.

All the materials used to produce Rallenty are corrosion-proofed and, therefore, are not altered over time in any way.

Every article refers to a pair of arms. The right side (DX) and left side (SX) arms are identified for correct application.


**Mainly used with the following series:**

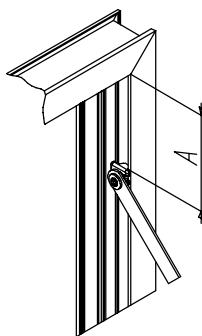
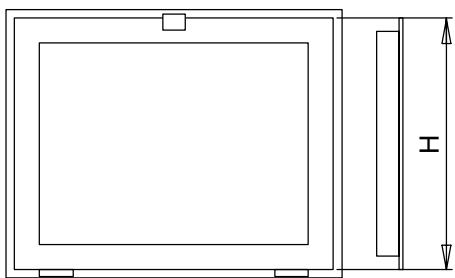
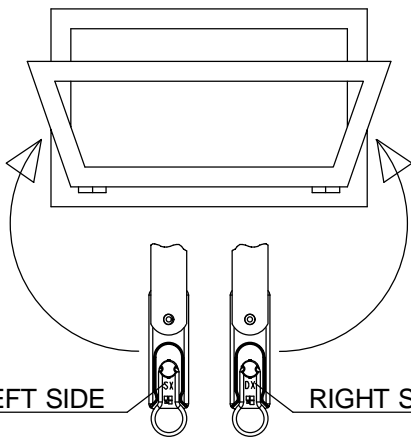
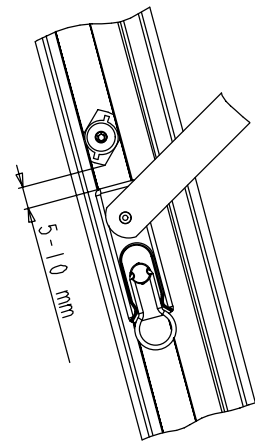
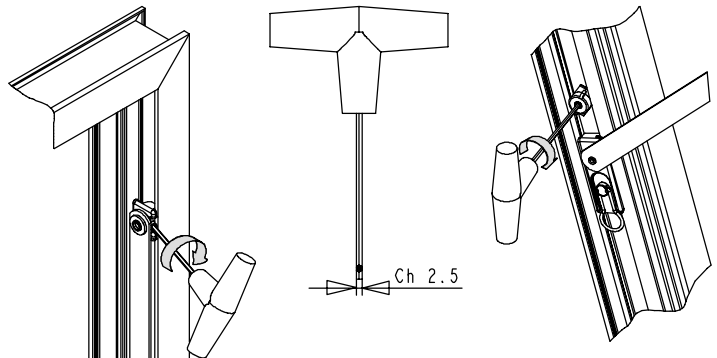
SEE THE GIESSE ACCESSORIES INDEX (WHERE-USED)

**Parts**

Limit switch cam with grub screws

**Materials**

- Stainless steel arm
- Stainless steel spring lever
- Stainless steel pins, washers and grub screw
- GS500 Zamak cams
- Nylon and glass fibre slider



SELECTING THE ARM	
H = 250 ÷ 500 mm	SHORT ARM (150 mm)

H = WINDOW HEIGHT  
 P = WINDOW WEIGHT  
 A = ARM SECURING POSITION

ARM SECURING POSITION					
H	< 500 mm		> 500 mm		
P	< 15 kg	15 ÷ 50 kg	< 15 kg	15 ÷ 50 kg	50 ÷ 70 kg
with short arm	A = 1/2 H (MAX)	A = 1/3 H (MAX)	-	-	-