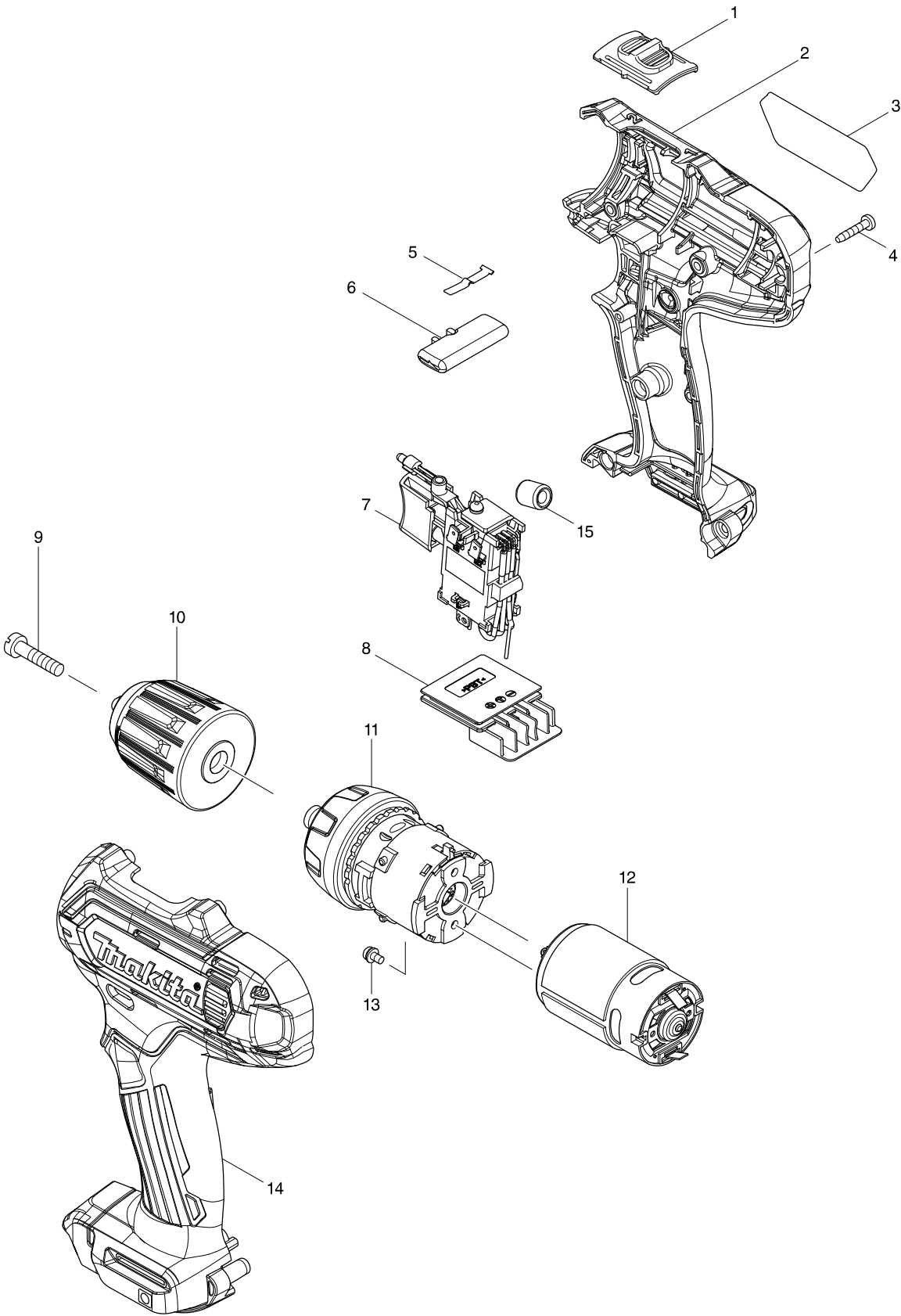


Numéro du modèle DF331D CORDLESS DRIVER DRILL



# Numéro du modèle DF331D CORDLESS DRIVER DRILL

Position	Référence pièce	Description	Echelle	QTE	N/O	Option 1	Option 2	COMMENTAIRE
001	126233-0	SPEED CHANGE LEVER ASSEMBLY		1		P1		
C10	231433-0	COMPRESSION SPRING 4		2		P1		
002	183B50-3	HOUSING SET		1				
C10	252126-6	HEX. LOCKING NUT M4-7		2		P2		
D10		INC. 14						
003	851H36-8	DF331D NAME PLATE		1				
004	266429-2	TAPPING SCREW 3X16		9		P1		
005	232239-9	LEAF SPRING		1		P1		
006	456039-5	F/R CHANGE LEVER		1				
007	632F42-8	SWITCH UNIT		1				
C10	620463-0	LED CIRCUIT		1				
C20	632F65-6	LINE FILTER UNIT		1				
008	644813-5	TERMINAL		1				
009	251451-2	- PAN HEAD SCREW M5X22		1		P4		
010	763228-8	KEYLESS DRILL CHUCK 10		1				
011	123503-8	GEAR ASS'Y		1				
012	629169-7	DC MOTOR		1				
013	911003-8	PAN HEAD SCREW M3X6		2		P2		
014	183B50-3	HOUSING SET		1				
C10	252126-6	HEX. LOCKING NUT M4-7		2		P2		
D10		INC. 2						
015	688164-6	LINE FILTER		1		P1		
A01	251314-2	+ SCREW M4X12		1		P1		
A02	346909-5	HOOK		1				
A03	784244-7	+ BIT 2-50		1		A2		
A04	456128-6	BATTERY COVER		1				
D10		COMPO-PARTS						
A05A	***DC10WC	DC10WC BATTERY CHARGER		1				
A05B	***DC10SA	DC10SA BATTERY CHARGER		1				
A06A	197394-3	BATTERY BL1020B SET		2				
A06B	197402-0	BATTERY BL1040B SET		2				
A07A	821661-1	PLASTIC CARRYING CASE		1				
C10	417724-5	LATCH		2		P2		
A07B	784244-7	+ BIT 2-50		1		A2		
A08B	821549-5	CONNECTOR PLASTIC CASE (TYPE1)		1		A26		
C10	453974-8	LATCH		4		P1		
A09B	838312-9	INNER TRAY		1				
A10B	807K64-9	DF331DSMJ INDICATION LABEL		1				
A11B	807K65-7	DF331DSMJ PLASTIC CASE LABEL		2				