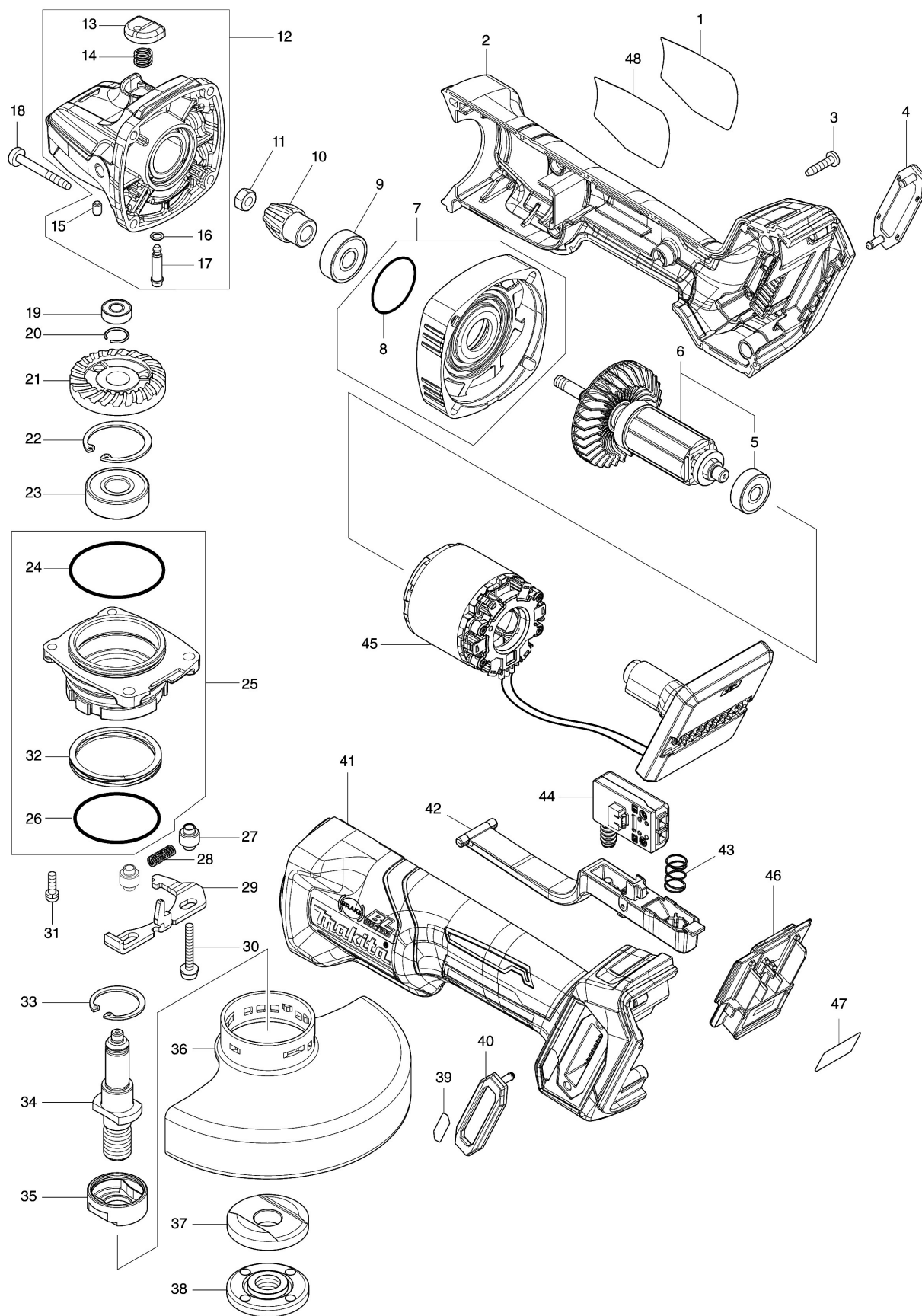


Model No.GA013G 125MM CORDLESS ANGLE GRINDER



Model No.GA013G 125MM CORDLESS ANGLE GRINDER

Position	Référence pièce	Description	Echange	QTE	New/Old	Option 1	Option 2	COMMENTAIRE
001	8008U5-3	CLEAR LABEL		1				
002	183P29-8	MOTOR HOUSING SET		1				
C10	263005-3	RUBBER PIN 6		2		65	P2	
D10		INC. 41						
003	266326-2	TAPPING SCREW 4X18		5		65	P2	
004	422563-0	DUST COVER		1				
005	210023-2	BALL BEARING 627DDW		1		2	P90	
006	519595-7	ROTOR ASS'Y		1				
D10		INC. 5						
007	136190-4	GEAR HOUSING COVER ASS'Y		1				
D10		INC. 8						
008	213445-5	O-RING 26		1		0	P1	
009	210042-8	BALL BEARING 629LLB		1		2	P10	
010	226976-5	SPIRAL BEVEL GEAR 10		1				
011	252186-8	HEX. NUT M6		1		0	P1	
012	136198-8	GEAR HOUSING ASS'Y		1				
D10		INC. 13-17						
013	412234-7	PIN CAP		1				
014	233072-2	COMPRESSION SPRING 8		1		0	P1	
015	263002-9	RUBBER PIN 4		1		0	P1	
016	213960-9	O RING 5		1		0	P1	
017	256546-6	SHOULDER PIN 4		1			P1	
018	266048-4	TAPPING SCREW 4X40		4		0	P1	
019	210033-9	BALL BEARING 696ZZ		1		65	P2	
020	233950-6	RING SPRING 11		1		0	P1	
021	226862-0	SPIRAL BEVEL GEAR 37		1				
022	962151-6	RETAINING RING R-32		1		1	P1	
023	211129-9	BALL BEARING 6201DDW		1		45	P19	
024	213622-9	O RING 45		1		0	P1	
025	136262-5	BEARING BOX ASS'Y		1				
D10		INC. 24,26,32						
026	213510-0	O RING 36		1		1	P4	
027	327322-6	SLEEVE 4		2				
028	232490-1	COMPRESSION SPRING 4		1				
029	347641-4	LEVER B		1				
030	911159-7	PAN HEAD SCREW M4X30		2		0	P1	
031	911138-5	P.H.SCREW M4X20 WITH WR		2		0	P1	
032	232542-8	SCROW WAVE SPRING 41		1				
033	962105-3	RETAINING RING R-26		1		1	P1	
034	326672-6	SPINDLE		1			P11	
035	310514-4	LEAD FLANGE		1		4	P13	
036	347480-2	WHEEL COVER 125		1				
037	224447-6	INNER FLANGE 42B		1			P7	
038	224554-5	LOCK NUT 14-45		1		2	P15	

Please order the parts with part number.

Print Date 23/7/2020

Model No.GA013G 125MM CORDLESS ANGLE GRINDER

Position	Référence pièce	Description	Echange	QTE	New/Old	Option 1	Option 2	COMMENTAIRE
039	8007R2-2	XGT LOGO LABEL		1				
040	422563-0	DUST COVER		1				
041	183P29-8	MOTOR HOUSING SET		1				
C10	263005-3	RUBBER PIN 6		2		65	P2	
D10		INC. 2						
042	140T33-4	SWITCH LEVER COMPLETE		1				
043	233263-5	COMPRESSION SPRING 9		1				
044	651083-9	SWITCH C3XA-1PSPM		1				
045	629480-7	STATOR COMPLETE		1				
046	632P65-6	TERMINAL UNIT		1				
047	856Y42-0	GA013G SERIAL NO. LABEL		1				
048	856Y36-5	GA013G NAME PLATE		1				
A01	158237-4	GRIP 36 COMPLETE		1			P8	
A02	A-80656	GRINDING WHEEL 125 WA36N		1			A5	
A03	782423-1	LOCK NUT WRENCH 35		1			P3	
A04B	412393-7	BATTERY COVER		2				
A05B	***DC40RA	DC40RA FAST CHARGER		1				
D10		COMPO-PARTS						
A06B	191B26-6	BATTERY BL4040 SET		2				
A07	821552-6	CONNECTOR PLASTIC CASE (TYPE4)		1		4	A31	
C10	453974-8	LATCH		4		0	P1	
A08A	8013M3-4	GA013GZ01 INDICATION LABEL		1				
A08B	8013M9-2	GA013GM201 INDICATION LABEL		1				
A09A	8013M4-2	GA013GZ01 PLASTIC CASE LABEL		2				
A09B	8013N0-7	GA013GM201 PLASTIC CASE LABEL		2				
A10	835E79-0	INNER TRAY		1				

Please order the parts with part number.

Print Date 23/7/2020