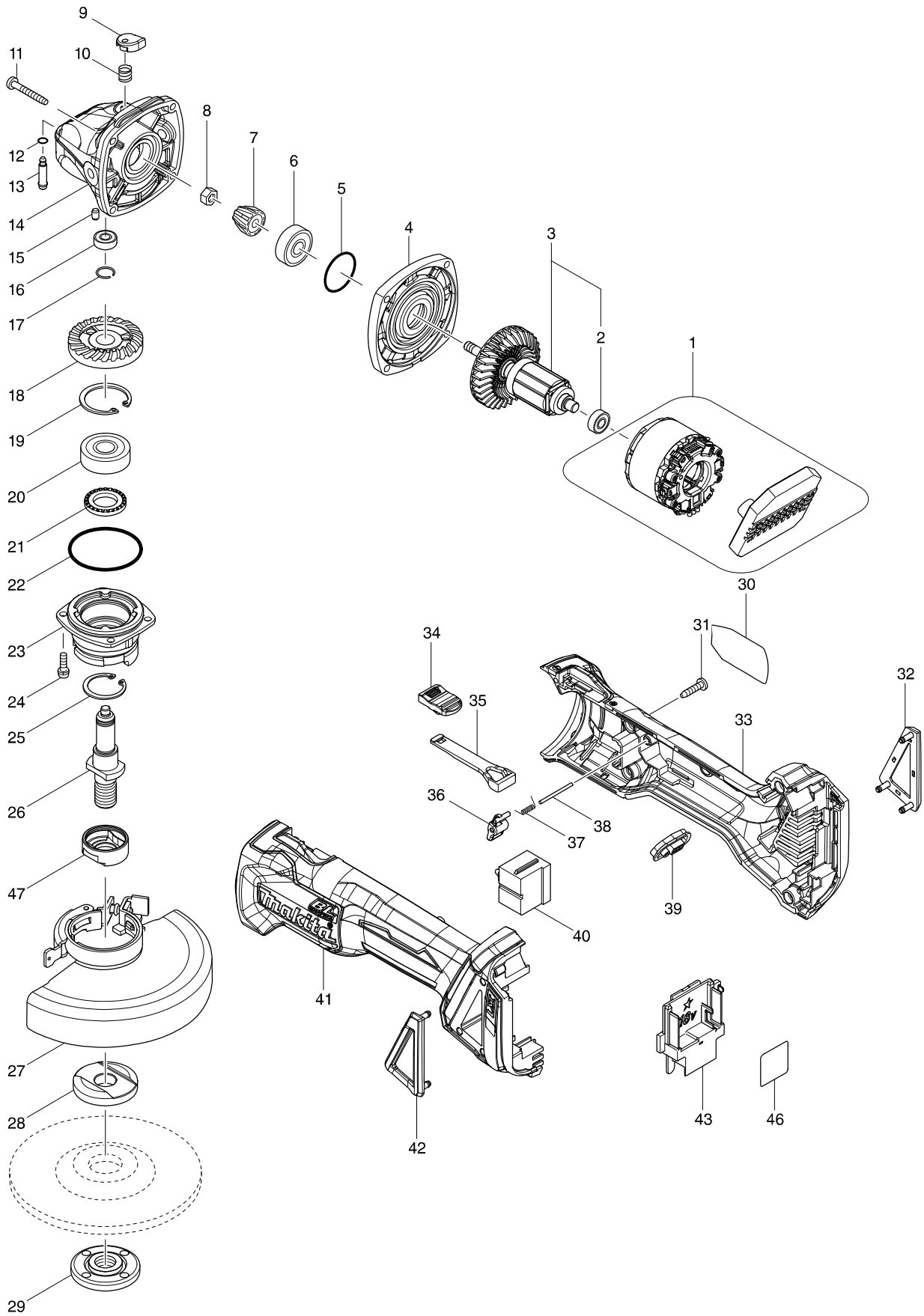


Numéro du modèle DGA506 125MM CORDLESS ANGLE GRINDER



Position	Référence pièce	Description	Echelle	QTE	N/O	Option 1	Option 2	COMMENTAIRE
001	629201-7	STATOR COMPLETE		1			P39	
002	210034-7	ROULEMENT A BILLE 607LLB		1	*	0	P3	
002-1	210169-4	BALL BEARING 607LLB	<	1				
003	519378-5	ROTOR ASSY		1	*		P25	
D10		INC. 2			*			
003-1	510329-1	ROTOR ASSY	<	1				
D10		INC. 2						
004	319214-3	GEAR HOUSING COVER		1			P8	
005	213445-5	O-RING 26		1		0	P1	
006	210042-8	ROULEMENT A BILLES 629LLB		1		2	P10	
007	227541-3	SPIRAL BEVEL GEAR 10		1			P6	
008	252186-8	ECROU M6		1		0	P1	
009	417771-6	POUSSOIR		1		0	P1	
010	233072-2	RESSORT 8		1		0	P1	
011	266361-0	VIS 4X30		4		0	P1	
012	213960-9	O RING 5		1		0	P1	
013	256546-6	SHOULDER PIN 4		1			P1	
014	319213-5	GEAR HOUSING		1			P13	
015	263002-9	CHEVILLE CAOUTCHOUC 4		1		0	P1	
016	210033-9	ROULEMENT A BILLE 696ZZ		1		65	P2	
017	233950-6	CIRCLIP 11		1		0	P1	
018	227641-9	SPIRAL BEVEL GEAR 37		1			P11	
019	962151-6	CIRCLIP R-32		1		1	P1	
020	211129-9	ROULEMENT A BILLES 6201DDW		1		45	P19	
021	262153-5	ANNEAU 16		1		0	P1	
022	213622-9	O RING 45		1		0	P1	
023	319399-5	BEARING BOX		1			P8	
024	911121-2	VIS TETE RONDE M4X14		4		0	P1	
025	962105-3	CIRCLIP MOD R INT 26		1		1	P1	
026	326672-6	SPINDLE		1			P11	
027	123145-8	CARTER DE PROTECTION SS OUTIL		1		25	P11	
C10	213009-5	O RING 4		1		0	P1	
C20	265180-1	VIS M5X16		1		0	P1	
028	224447-6	INNER FLANGE 42B		1			P7	
029	224554-5	ECROU 14-45		1		2	P15	
030	851Y86-5	DGA506 NAME PLATE		1				
031	266326-2	VIS 4x18		5		65	P2	
032	455450-8	DUST COVER R		1			P5	
033	187998-9	MOTOR HOUSING SET		1			P17	
C10	263005-3	CHEVILLE CAOUTCHOUC 6		2		65	P2	
D10		INC. 41						
034	455447-7	SWITCH KNOB		1			P1	
035	455446-9	SWITCH LEVER		1			P1	
036	455448-5	LEVER		1			P1	
037	231679-8	TORSION SPRING 2		1			P1	
038	268330-7	PIN 2		1			P1	
039	142901-7	INDICATOR PANEL COMPLETE		1			P1	
040	650579-7	INTERRUPTEUR BGA452		1		55	P14	

Position	Référence pièce	Description	Echelle	QTE	N/O	Option 1	Option 2	COMMENTAIRE
041	187998-9	MOTOR HOUSING SET		1			P17	
C10	263005-3	CHEVILLE CAOUTCHOUC 6		2	65		P2	
D10		INC. 33						
042	455449-3	DUST COVER L		1			P5	
043	643899-6	TERMINAL		1			P5	
046	851Y94-6	DGA506 SERIAL NO. LABEL		1				
047	310514-4	FLASQUE		1	4		P13	
A01	A-80656	GRINDING WHEEL 125 WA36N		1			A5	
A02	158237-4	GRIP 36 COMPLETE		1			P8	
A03	782423-1	CLE A ERGOTS 35		1			P3	
A04B	***DC18RC	DC18RC FAST CHARGER		1			A42	
D10		COMPO-PARTS						
A04C	***DC18RC	DC18RC FAST CHARGER		1			A42	
D10		COMPO-PARTS						
A04E	821551-8	COFFRET MAKPAC3		1	4		A30	
C10	453974-8	LOQUET		4	0		P1	
A05B	194204-5	ACCU LI-ION BL1830 18V/3.0AH		2	*		A40	
A05C	197280-8	BATTERY BL1850B SET		2			A45	
A05E	838175-3	INNER TRAY		1			A16	
A05-1B	197600-6	BATTERY BL1830B SET	<	2				
A06B	450128-8	BATTERY COVER		1	0		P1	
A06C	450128-8	BATTERY COVER		1	0		P1	
A06E	810N43-6	DGA506ZJ INDICATION LABEL		1				
A07B	821551-8	COFFRET MAKPAC3		1	4		A30	
C10	453974-8	LOQUET		4	0		P1	
A07C	821551-8	COFFRET MAKPAC3		1	4		A30	
C10	453974-8	LOQUET		4	0		P1	
A07E	810N44-4	DGA506ZJ PLASTIC CASE LABEL		2				
A08B	838175-3	INNER TRAY		1			A16	
A08C	838175-3	INNER TRAY		1			A16	
A09B	808R90-3	DGA506RFJ INDICATION LABEL		1	*			
A09C	808R94-5	DGA506RTJ INDICATION LABEL		1	*			
A09-1B	810N45-2	DGA506RFJ INDICATION LABEL	O	1				
A09-1C	810N49-4	DGA506RTJ INDICATION LABEL	O	1				
A10B	808R91-1	DGA506RFJ PLASTIC CASE LABEL		2	*			
A10C	808R95-3	DGA506RTJ PLASTIC CASE LABEL		2	*			
A10-1B	810N46-0	DGA506RFJ PLASTIC CASE LABEL	X	2				
A10-1C	810N50-9	DGA506RTJ PLASTIC CASE LABEL	X	2				