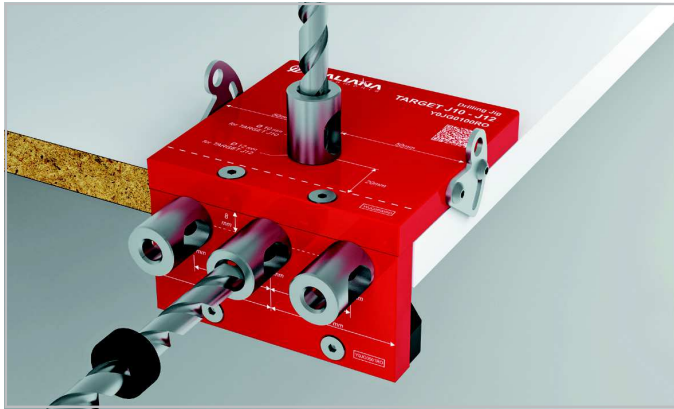
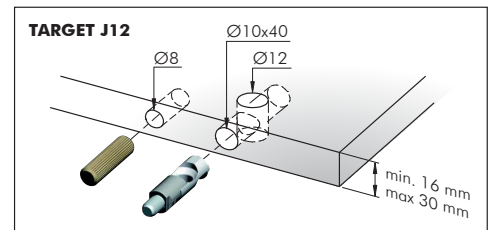
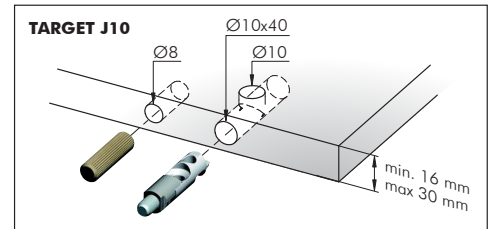
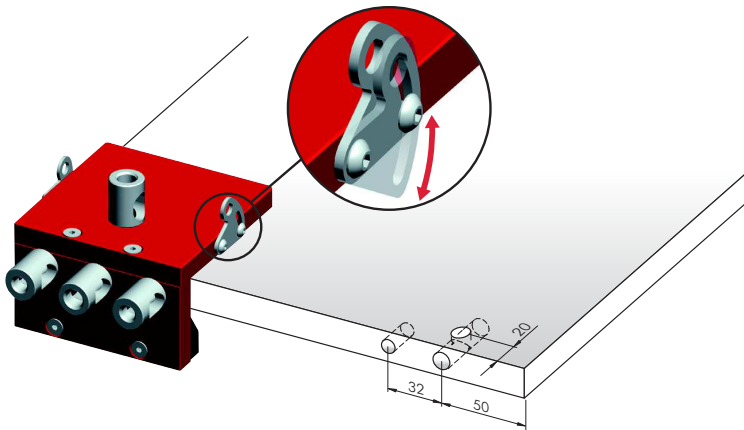


## DRILLING JIG TARGET J10-J12

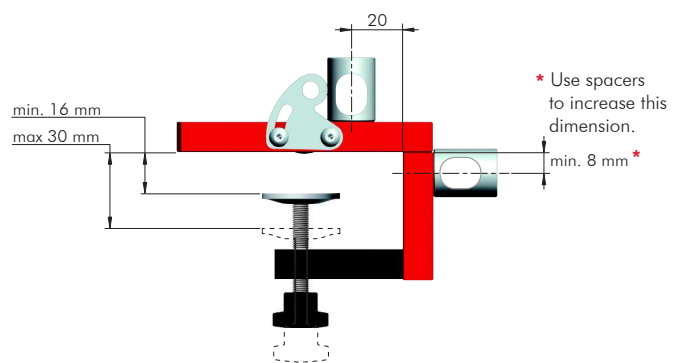
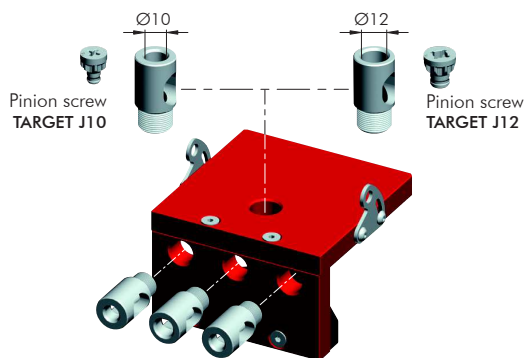


16 - 30 mm

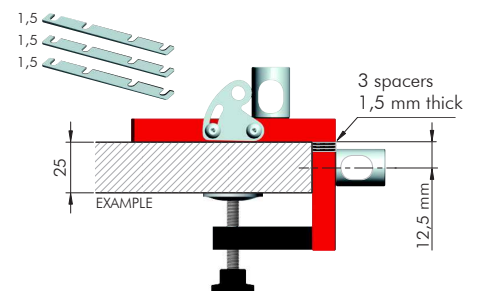
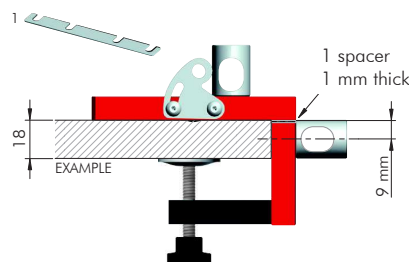
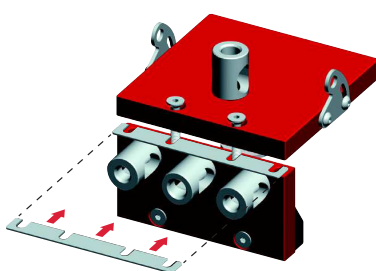
### GENERAL SPECIFICATIONS



### APPLICATION OPTIONS



### DRILLING SPACERS FOR OTHER PANEL THICKNESSES



## TARGET J10-J12 DRILLING JIG FOR PANEL THICKNESS 16 AND 18 mm

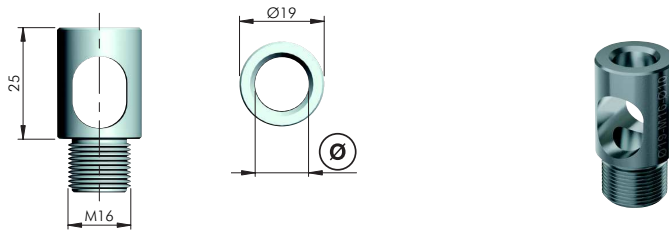


AL	ST	EP	= on request
<b>Y0JG0100RO</b>			

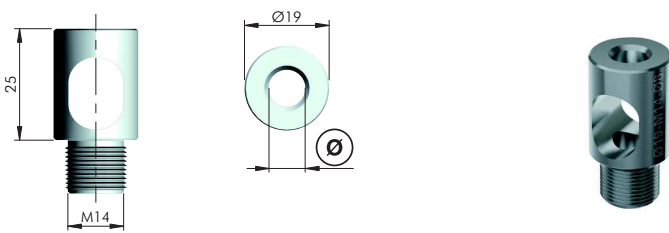
NOTE: The product code includes all the components shown in the picture.

4

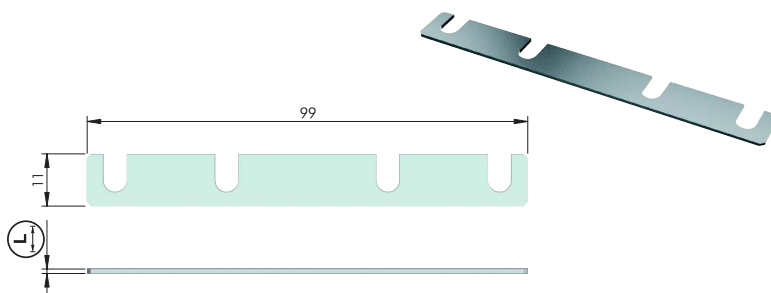
## TARGET J10-J12 DRILLING JIG ACCESSORIES



= M16			= on request
ST			
<b>Y0JG0507ZN</b>		Ø10	
<b>Y0JG0508ZN</b>		Ø12	

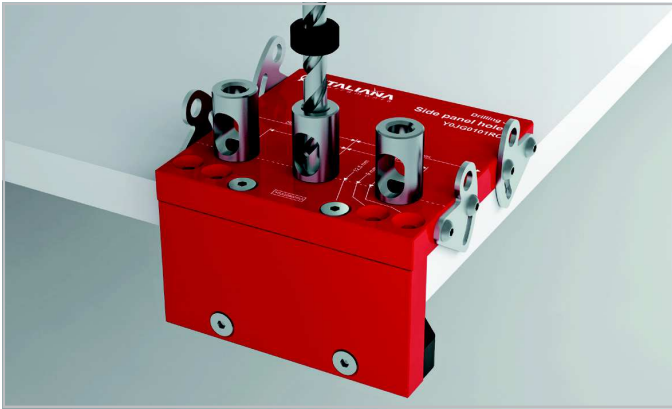


= M14			= on request
ST			
<b>Y0JG0505ZN</b>		Ø8	
<b>Y0JG0506ZN</b>		Ø10	



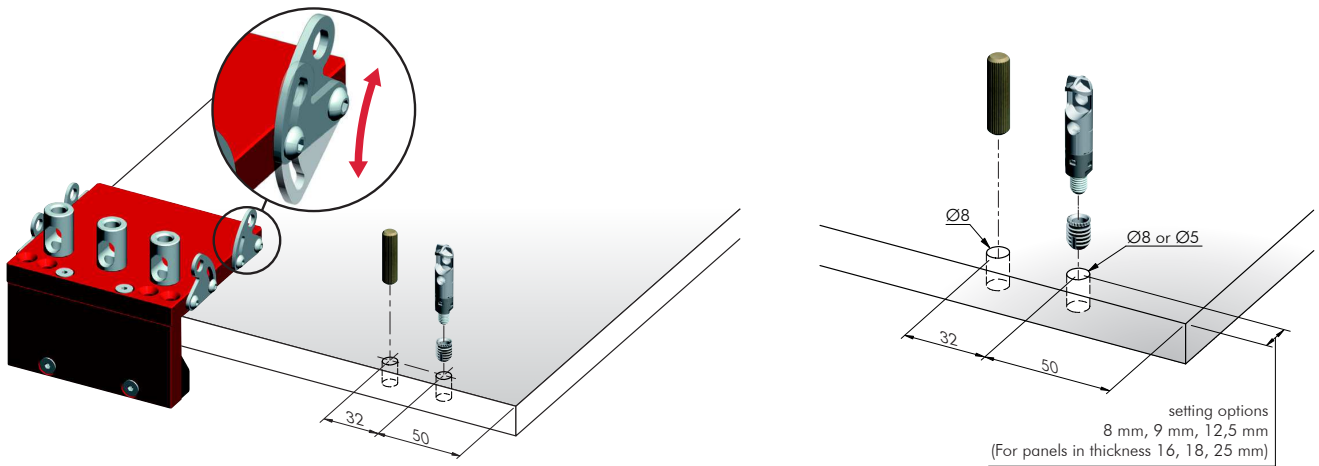
AL			= on request
<b>Y0JG0511GR</b>		1	
<b>Y0JG0512GR</b>		1,5	

## DRILLING JIG FOR SIDE PANELS

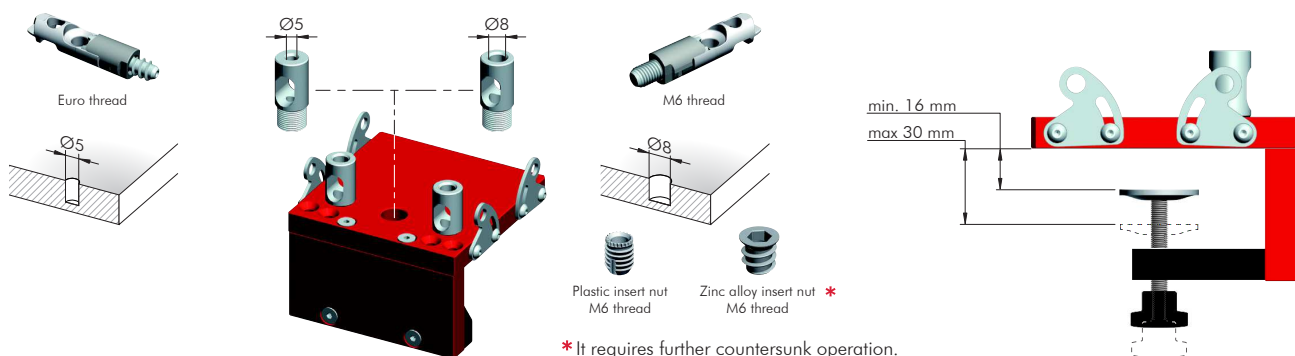
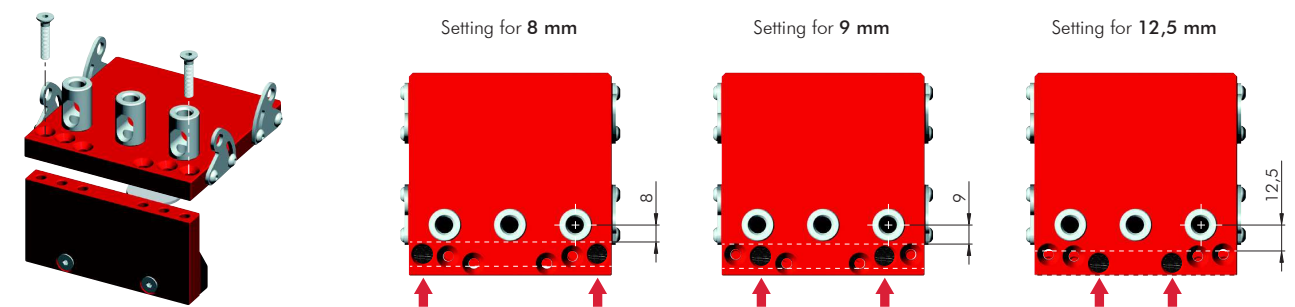


16 - 30 mm 1mm

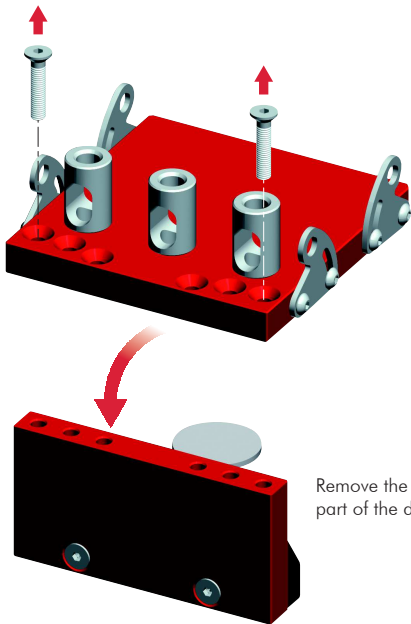
### GENERAL SPECIFICATIONS



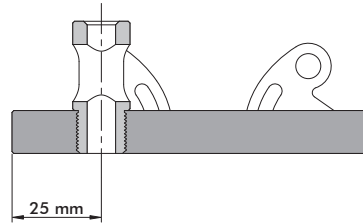
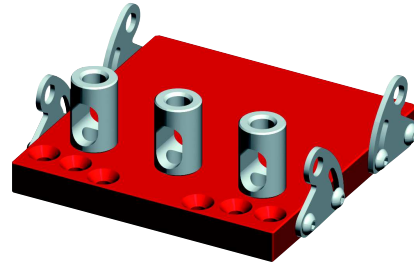
### APPLICATION OPTIONS



## SETTING FOR ALTERNATIVE POSITIONS OF BOTTOM PANELS AND FIXED SHELVES

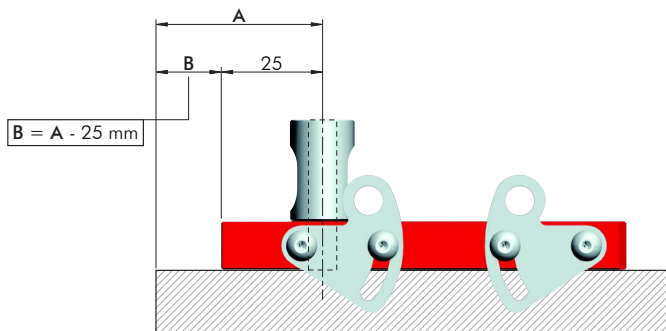
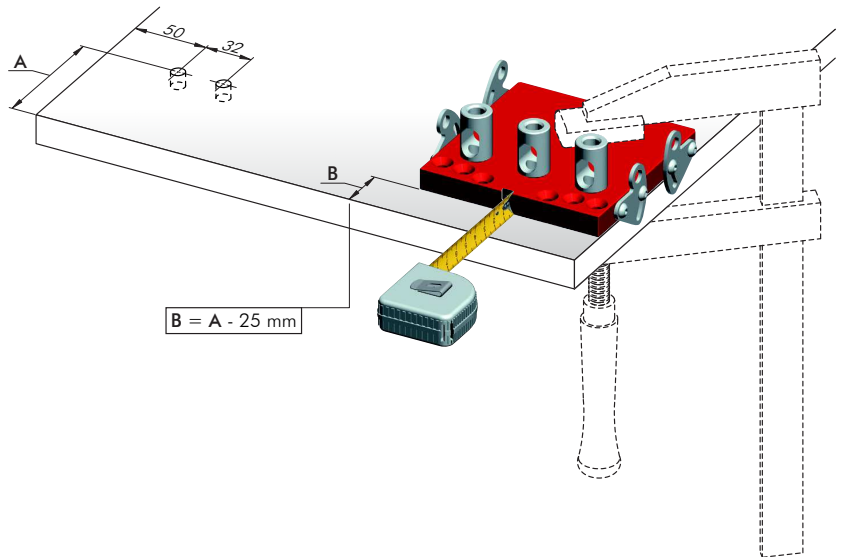
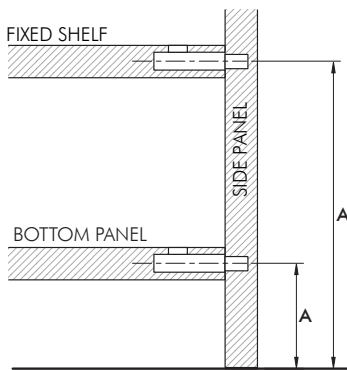


Remove the lower part of the drilling jig.



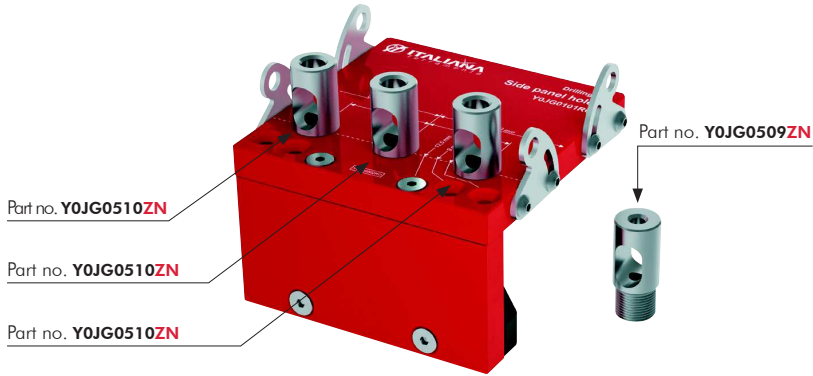
4

## DRILLING JIG POSITIONING





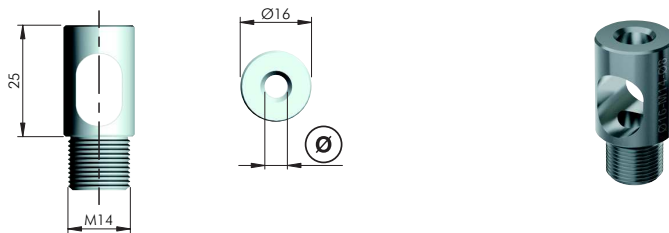
## DRILLING JIG FOR SIDE PANELS



AL	ST	EP	= on request
<b>Y0JG0101RO</b>			

NOTE: The product code includes all the components shown in the picture.

## DRILLING JIG FOR SIDE PANELS ACCESSORIES



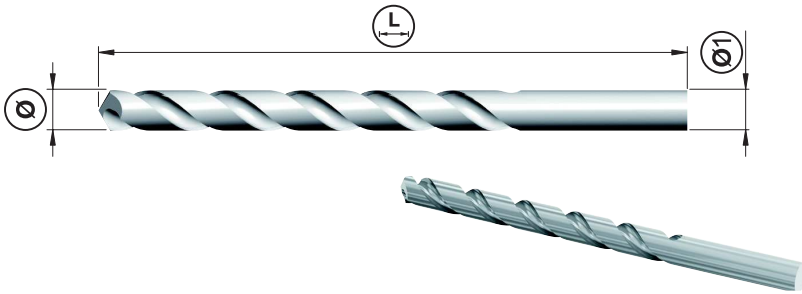
= M14		
ST	= on request	
<b>Y0JG0509ZN</b>		Ø5
<b>Y0JG0510ZN</b>		Ø8






## DRILLING JIG DEPTH STOP COLLARS



ST	= on request	
<b>Y0JG051600</b>		Ø5
<b>Y0JG051700</b>		Ø8
<b>Y0JG051800</b>		Ø10
<b>Y0JG051900</b>		Ø12

## DRILL BITS



HSS	= on request		
 			
<b>Y0JG052700</b>	Ø5	86	Ø5
<b>Y0JG052800</b>	Ø8	117	Ø8
<b>Y0JG052900</b>	Ø10	133	Ø10
<b>Y0JG053000</b>	Ø12	150	Ø10

NOTE: For drilling jig we recommend to use precision-ground steel drill bit HSS-G.