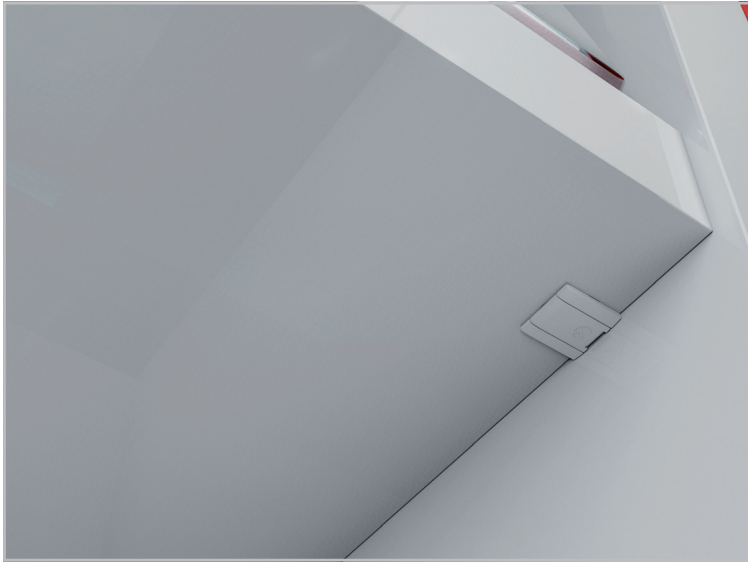


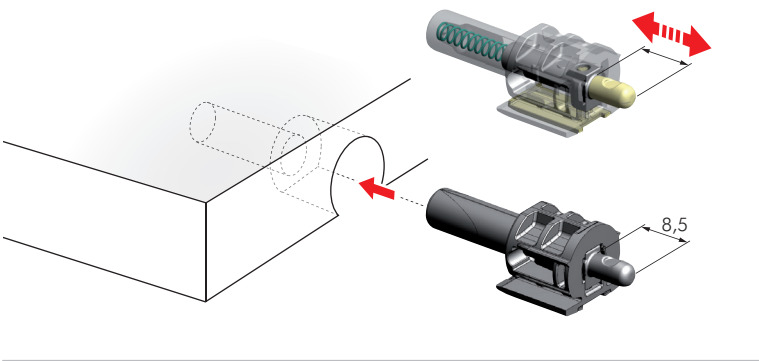


## KINTAI

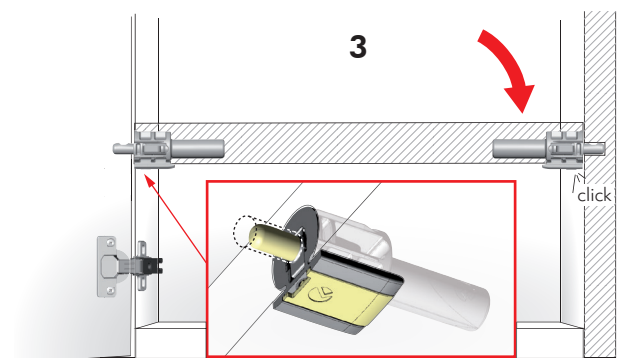
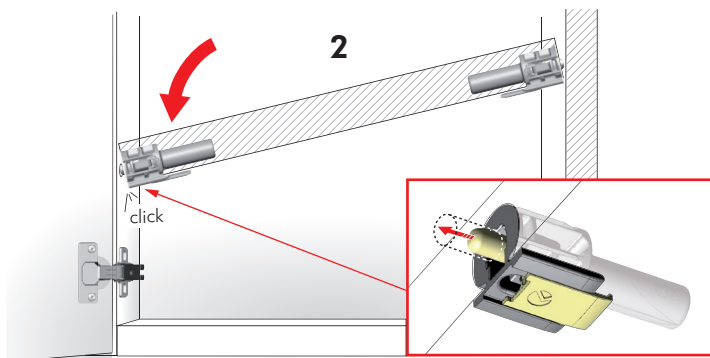
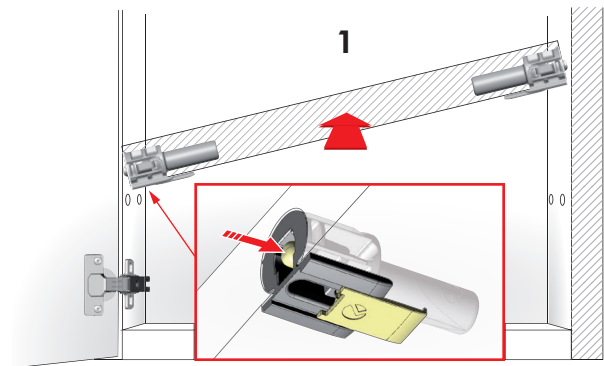


16 mm min. 1mm

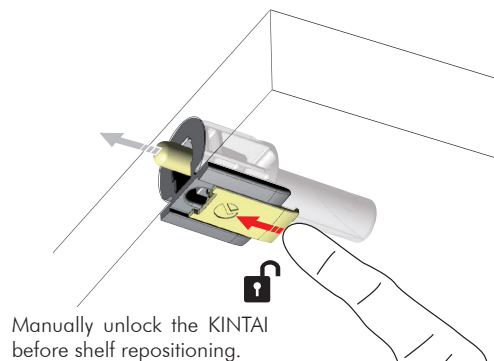
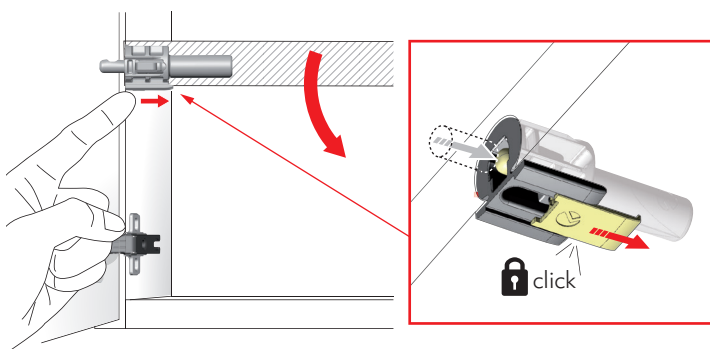
### INSTALLATION



### SHELF INSTALLATION



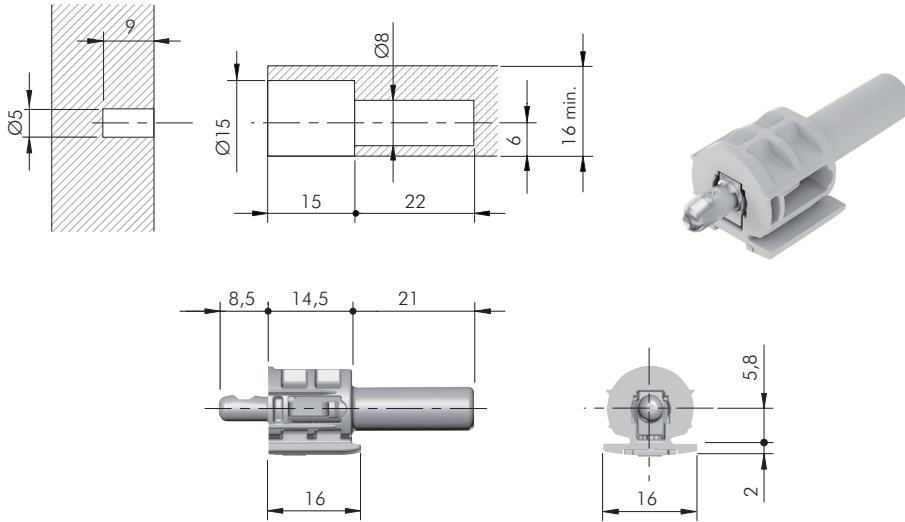
### SHELF REMOVAL FOR NEW REPOSITIONING



Manually unlock the KINTAI before shelf repositioning.

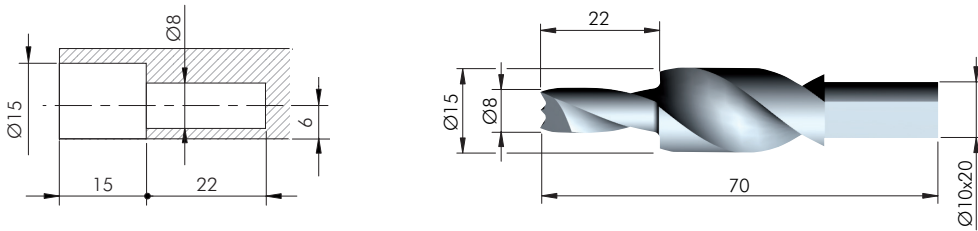
# SHELF SUPPORTS

1



= Ø 5 mm	
ZA EP	= 4000 pcs.
<b>12402000AB</b>	
<b>12402000EE</b>	
<b>12402000IJ</b>	

## DRILL BIT FOR KINTAI



HSS	= on request
<b>1085201000</b>	<b>R</b>
<b>1085202000</b>	<b>L</b>