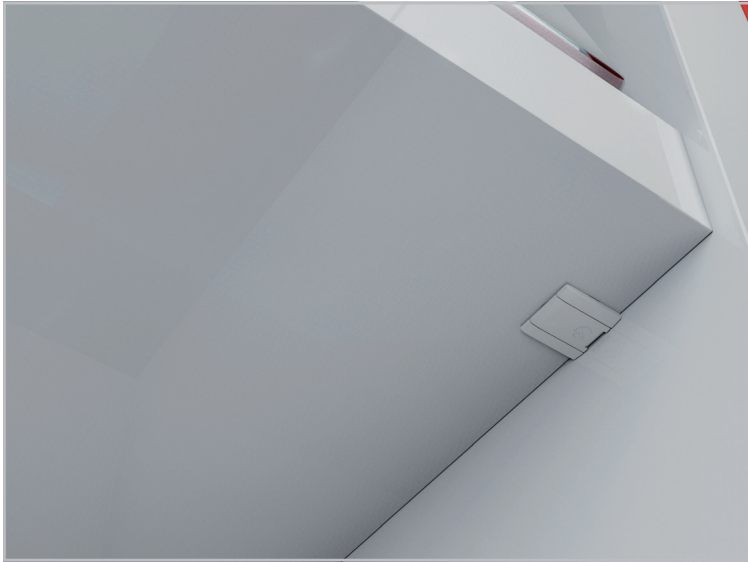


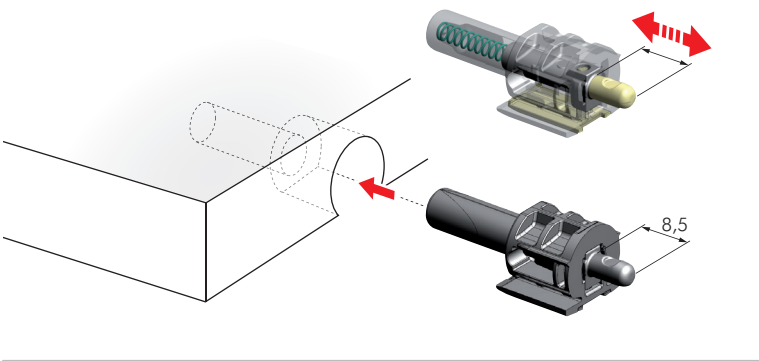


KINTAI

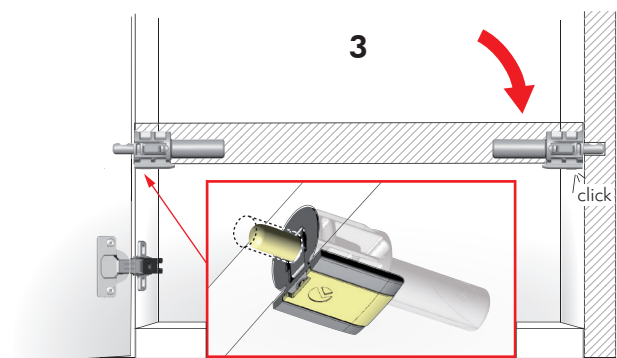
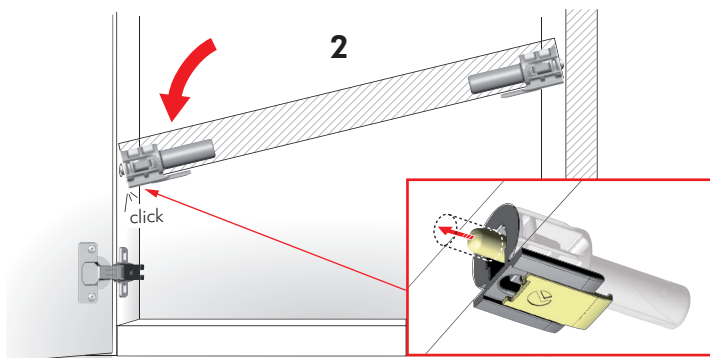
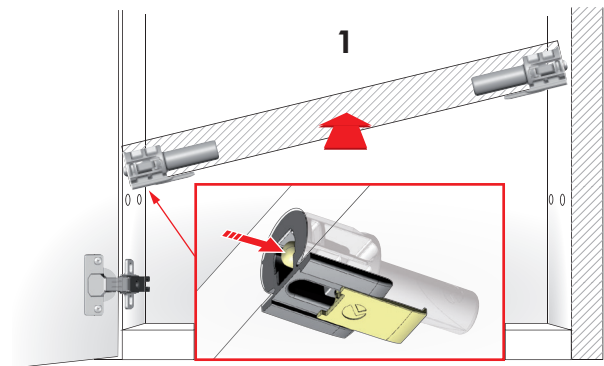


16 mm min. 1mm

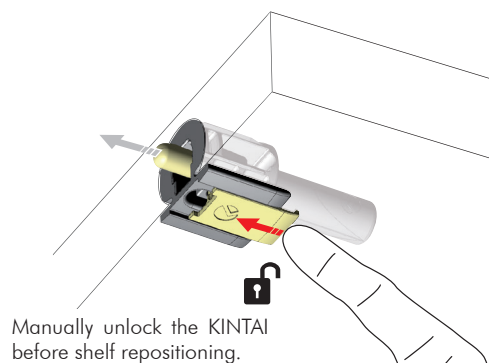
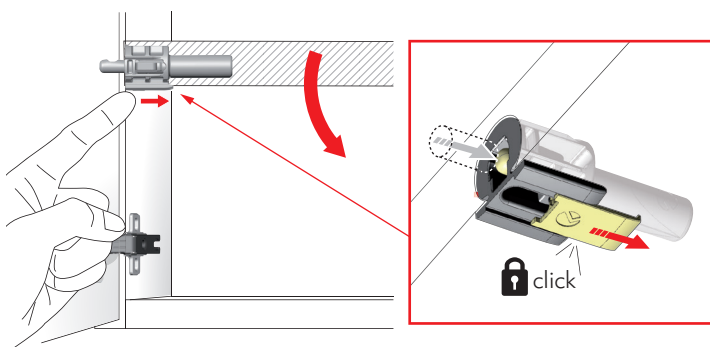
INSTALLATION



SHELF INSTALLATION



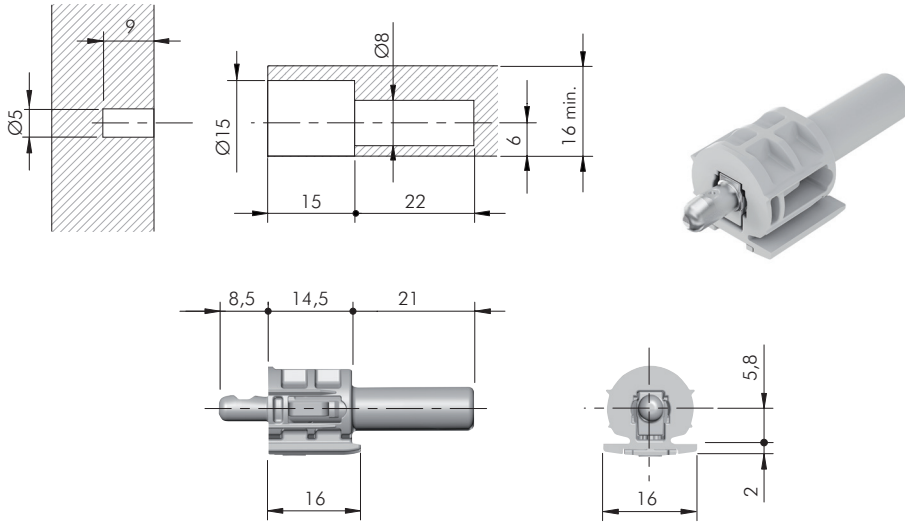
SHELF REMOVAL FOR NEW REPOSITIONING



Manually unlock the KINTAI before shelf repositioning.

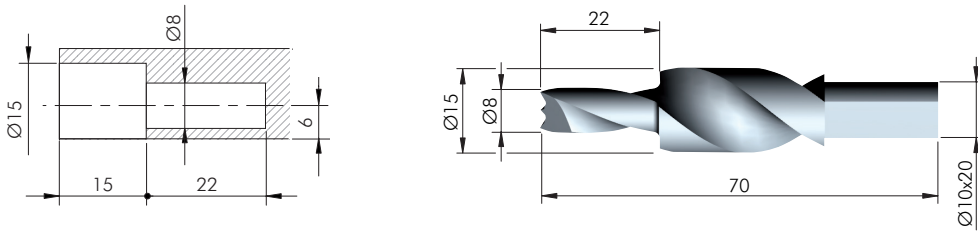
SHELF SUPPORTS

1



= Ø 5 mm	
ZA EP	= 4000 pcs.
12402000AB	
12402000EE	
12402000IJ	

DRILL BIT FOR KINTAI



HSS	= on request
1085201000	R
1085202000	L