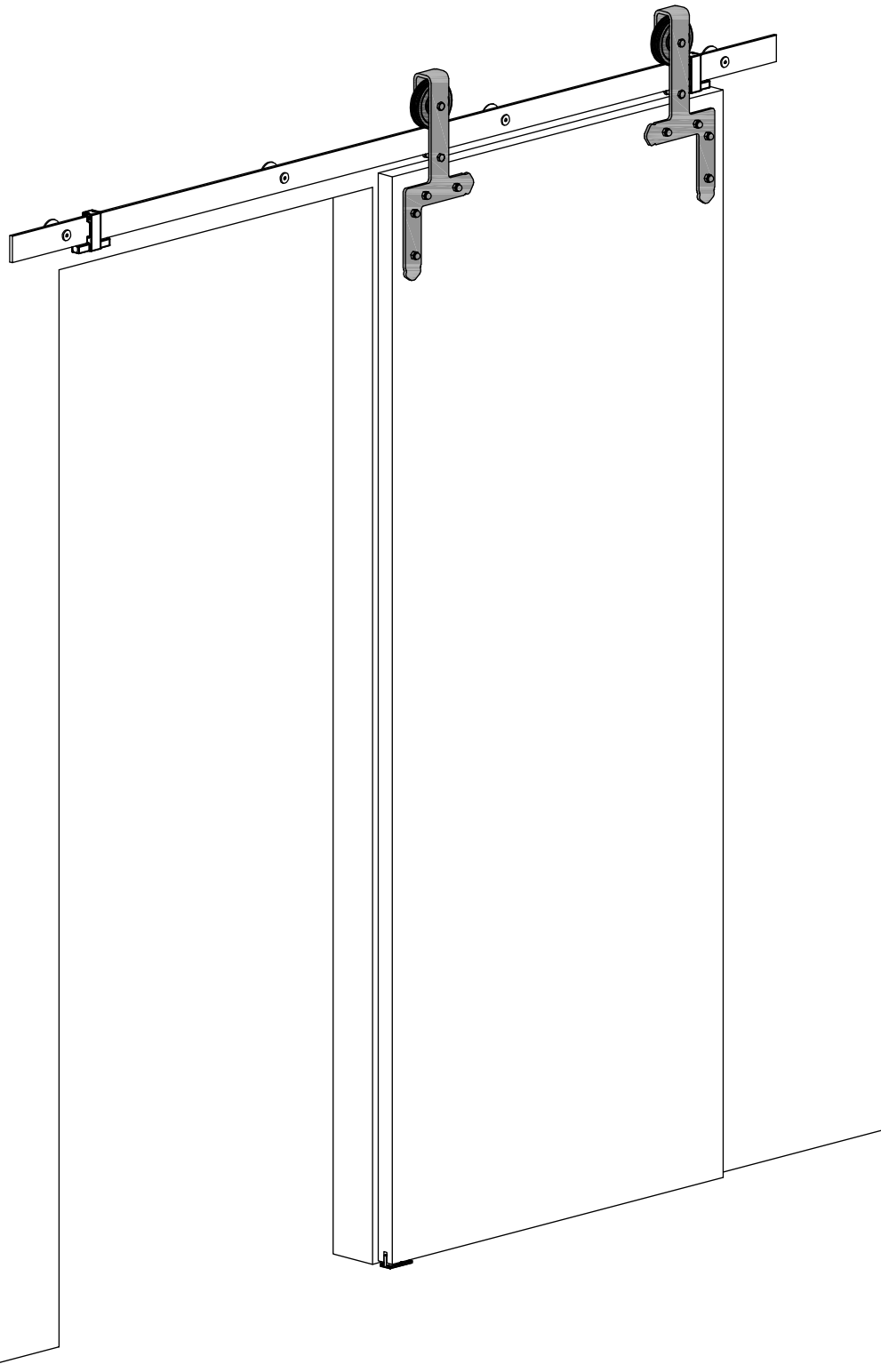
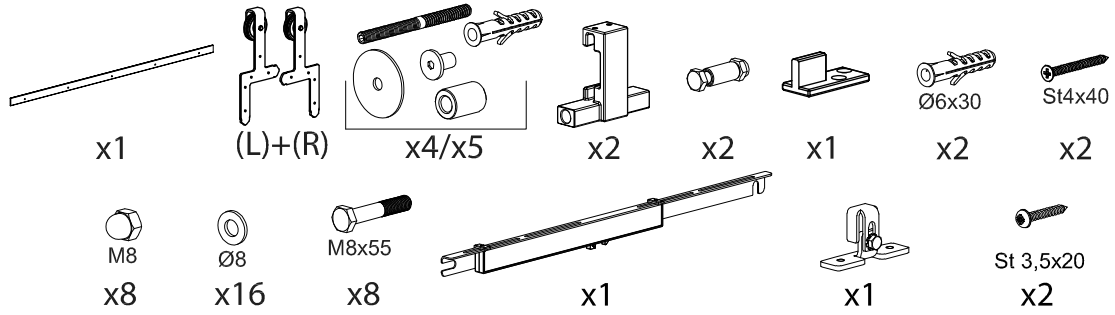




INSTRUCTION DE MONTAGE
MONTAGEANLEITUNG
INSTRUCTIONS FOR ASSEMBLY
INSTRUCCIONES DE MONTAJE

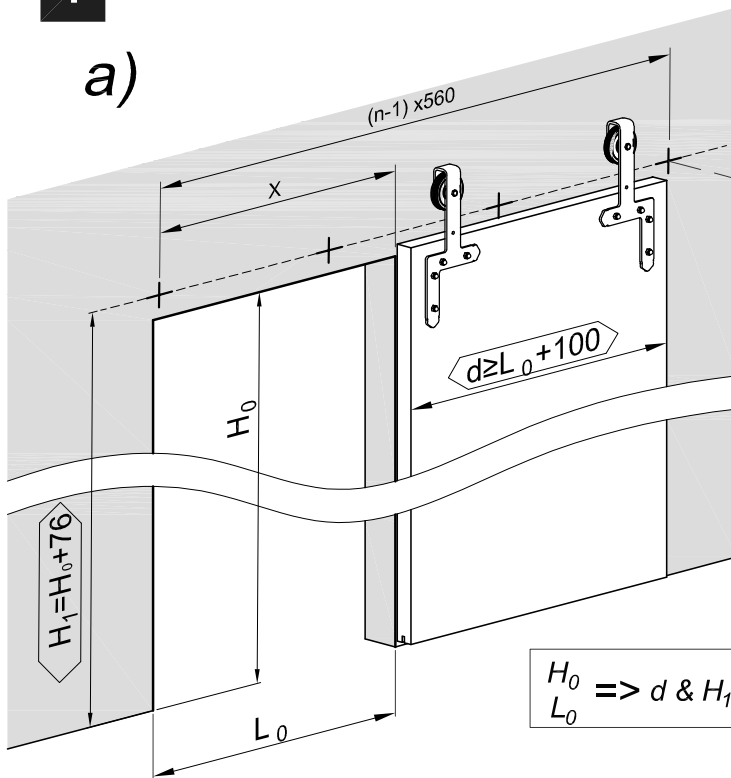


ROC DESIGN
RD-D-B / RD-D-C

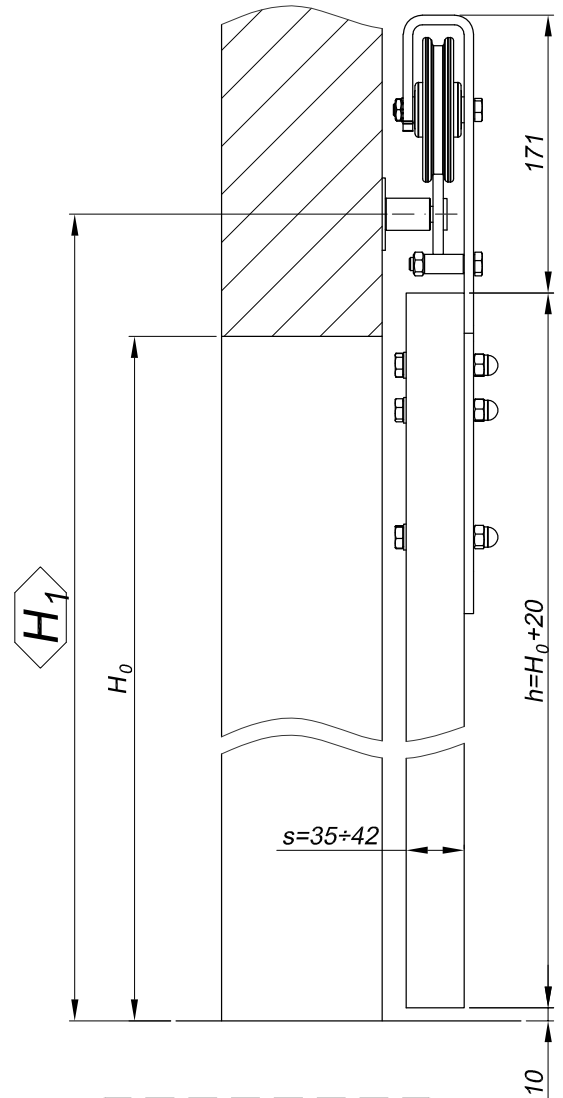
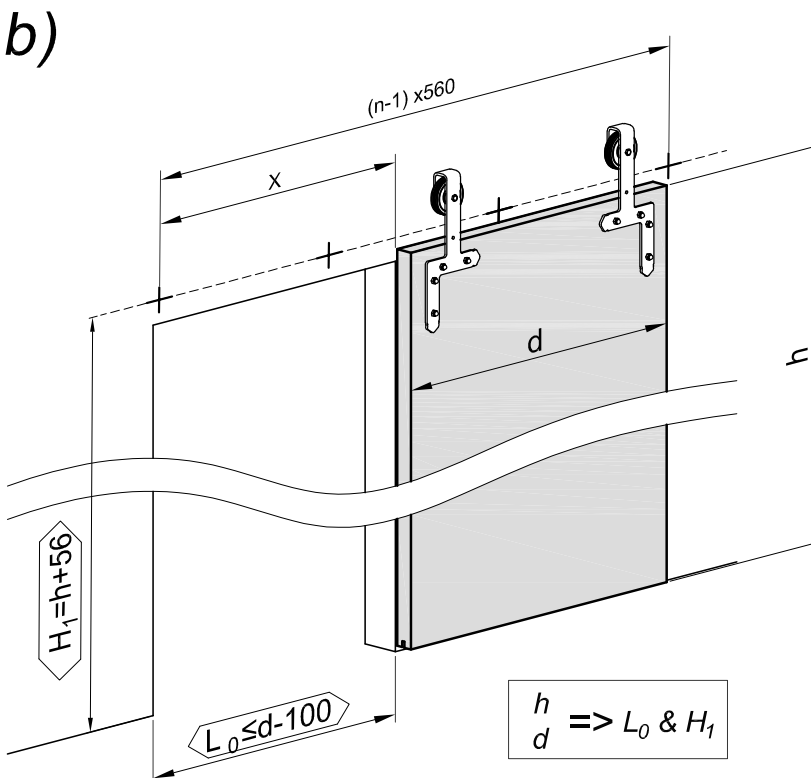
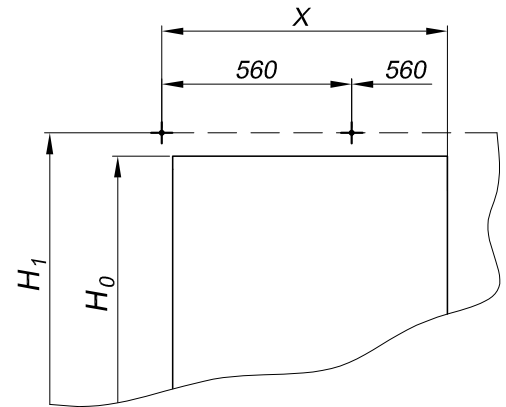




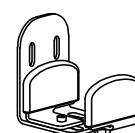
1



L_{Track} [mm]	1950	2400
X [mm]	840	1120
n	4	5



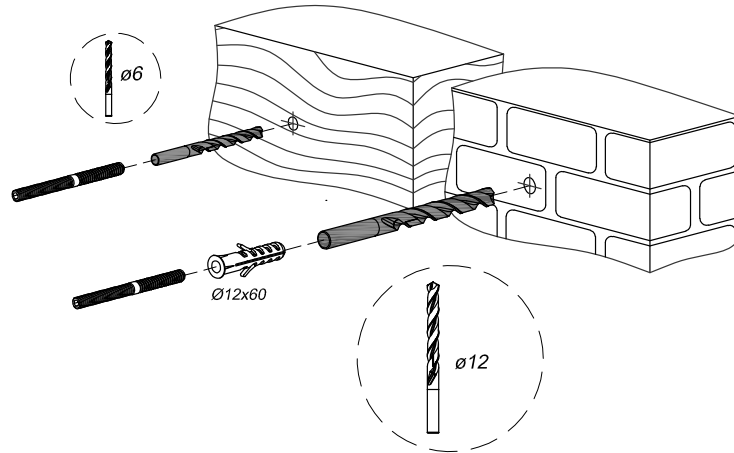
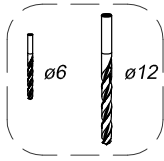
NM_RD_004



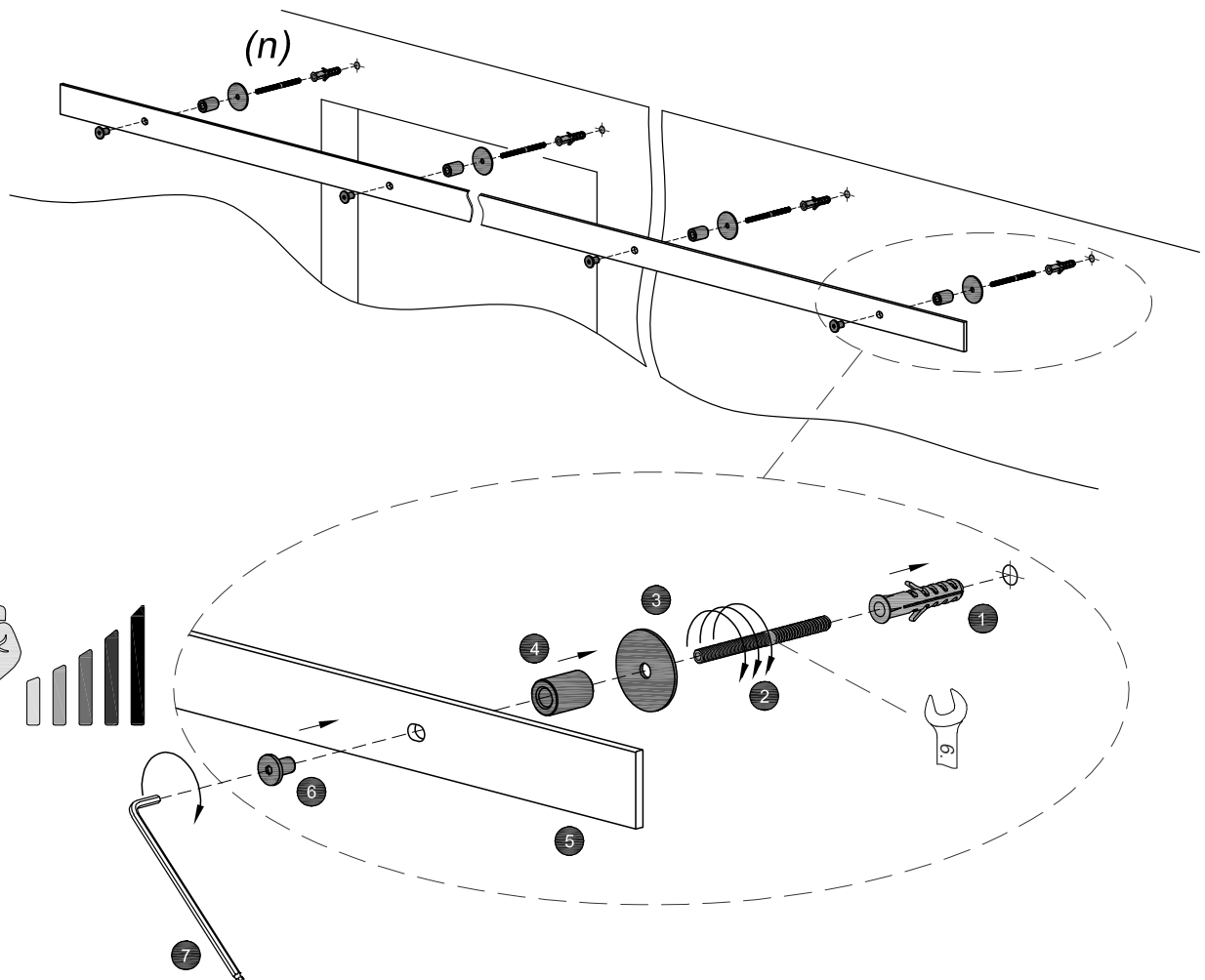
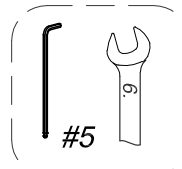
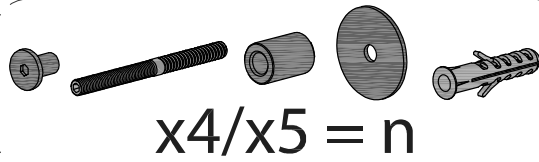
$H_1 = H_0 + 81$
 $H_1 = h + 61$



2

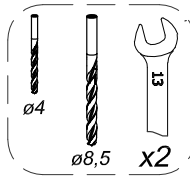
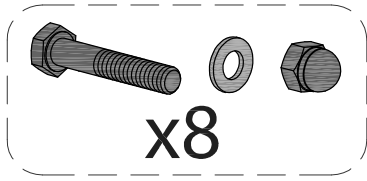


3

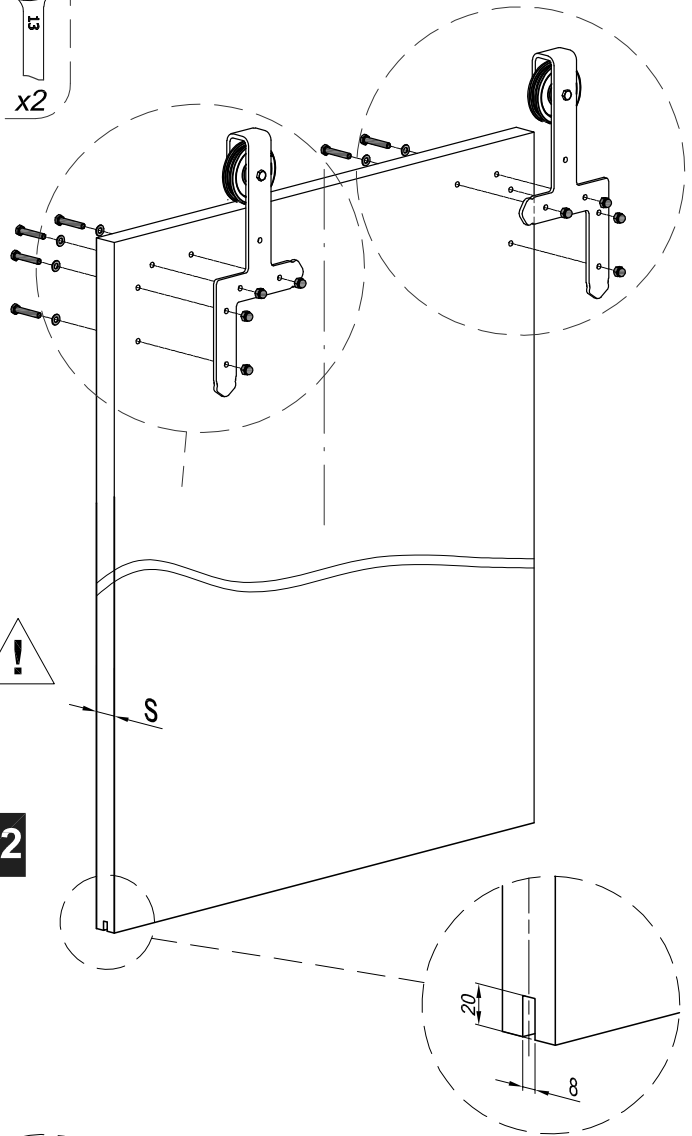
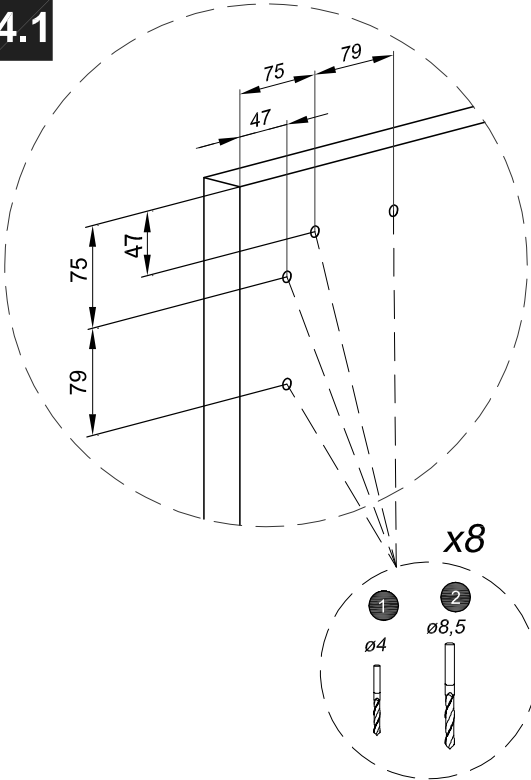




4

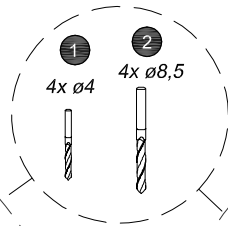


4.1

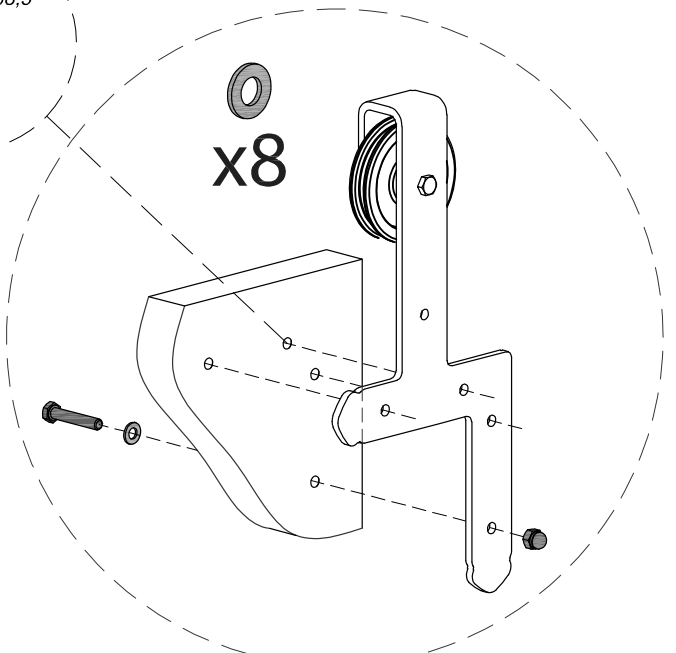
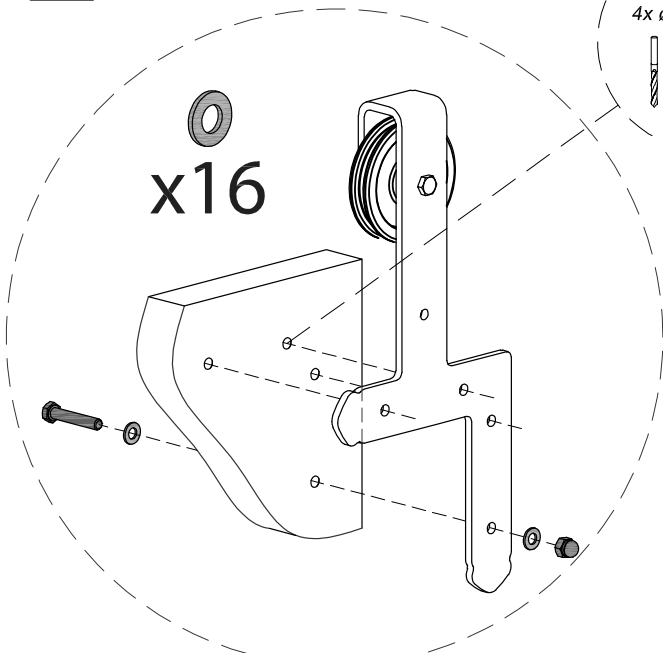


4.3

! $35 < s < 38$

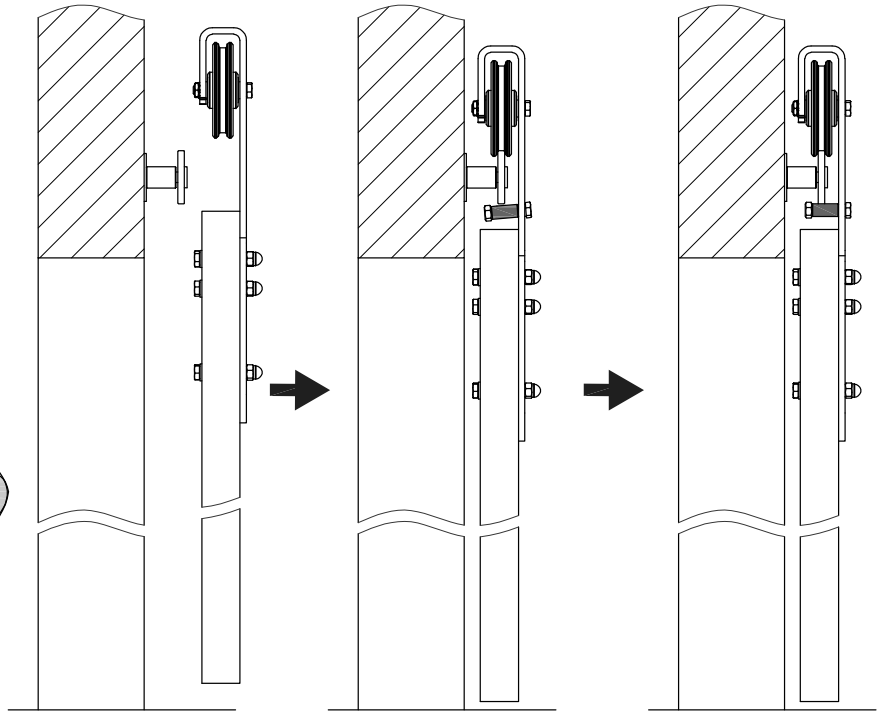
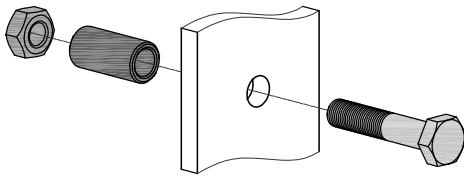
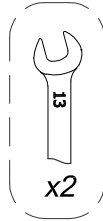
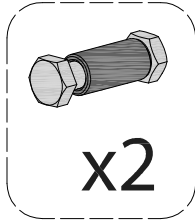


$38 \leq s < 42$

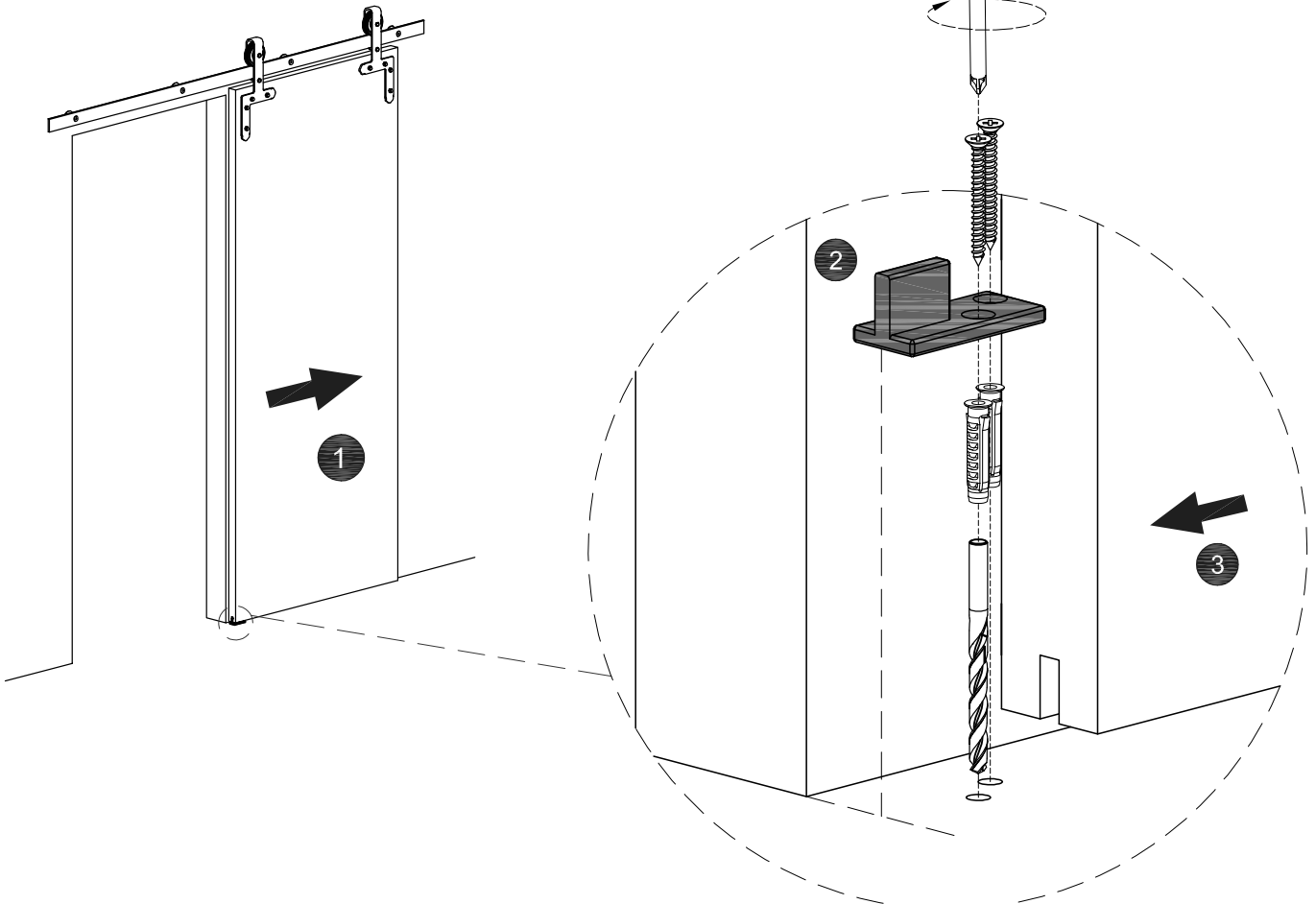
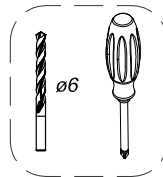
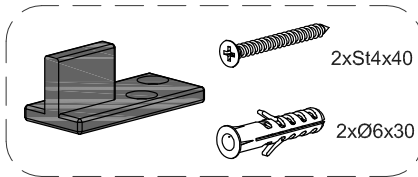




5



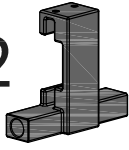
6



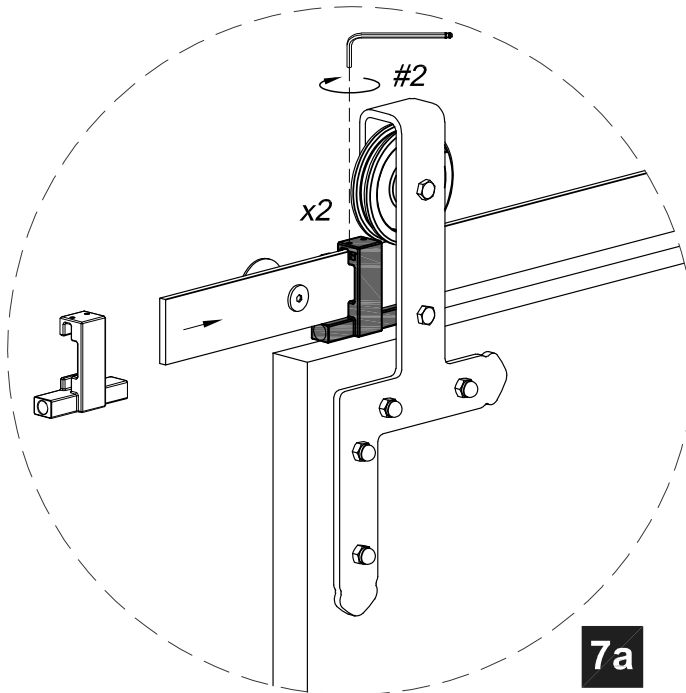
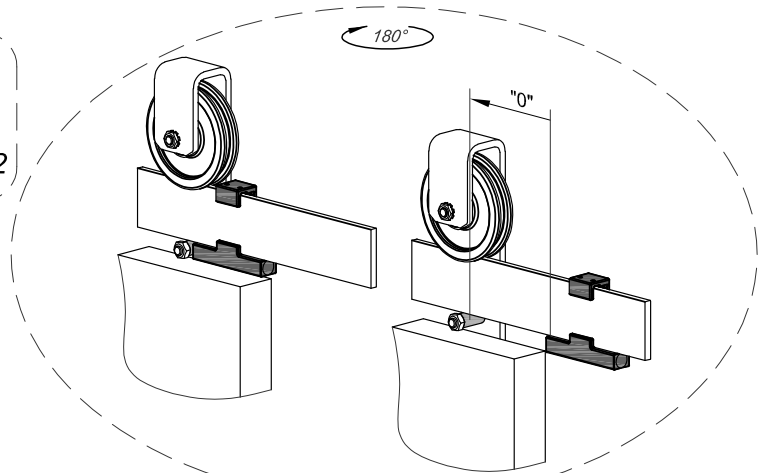
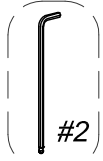


7

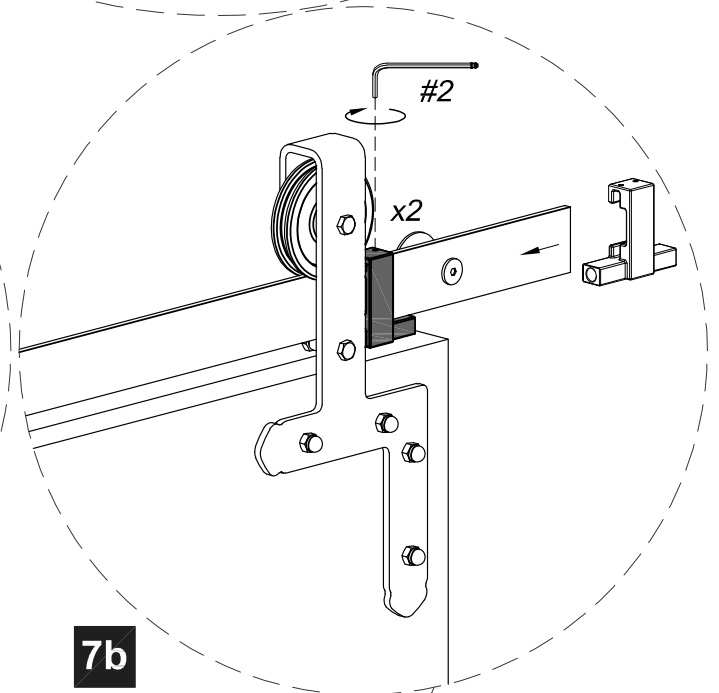
x2



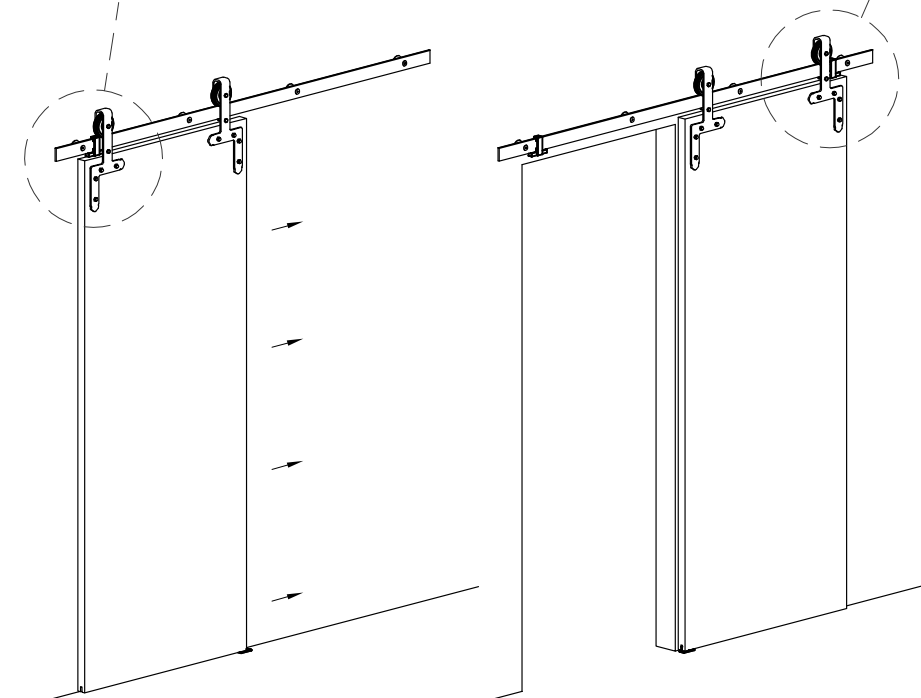
#2

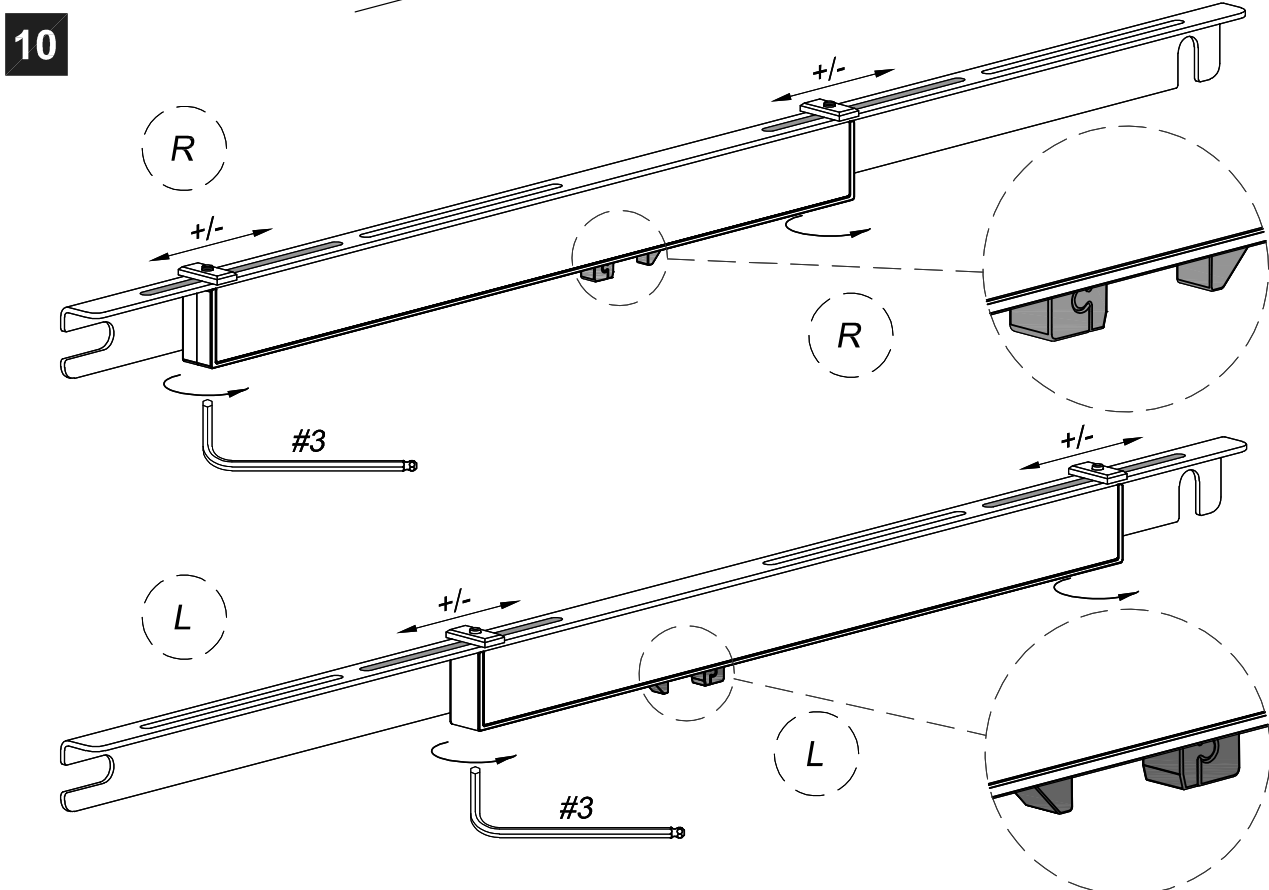
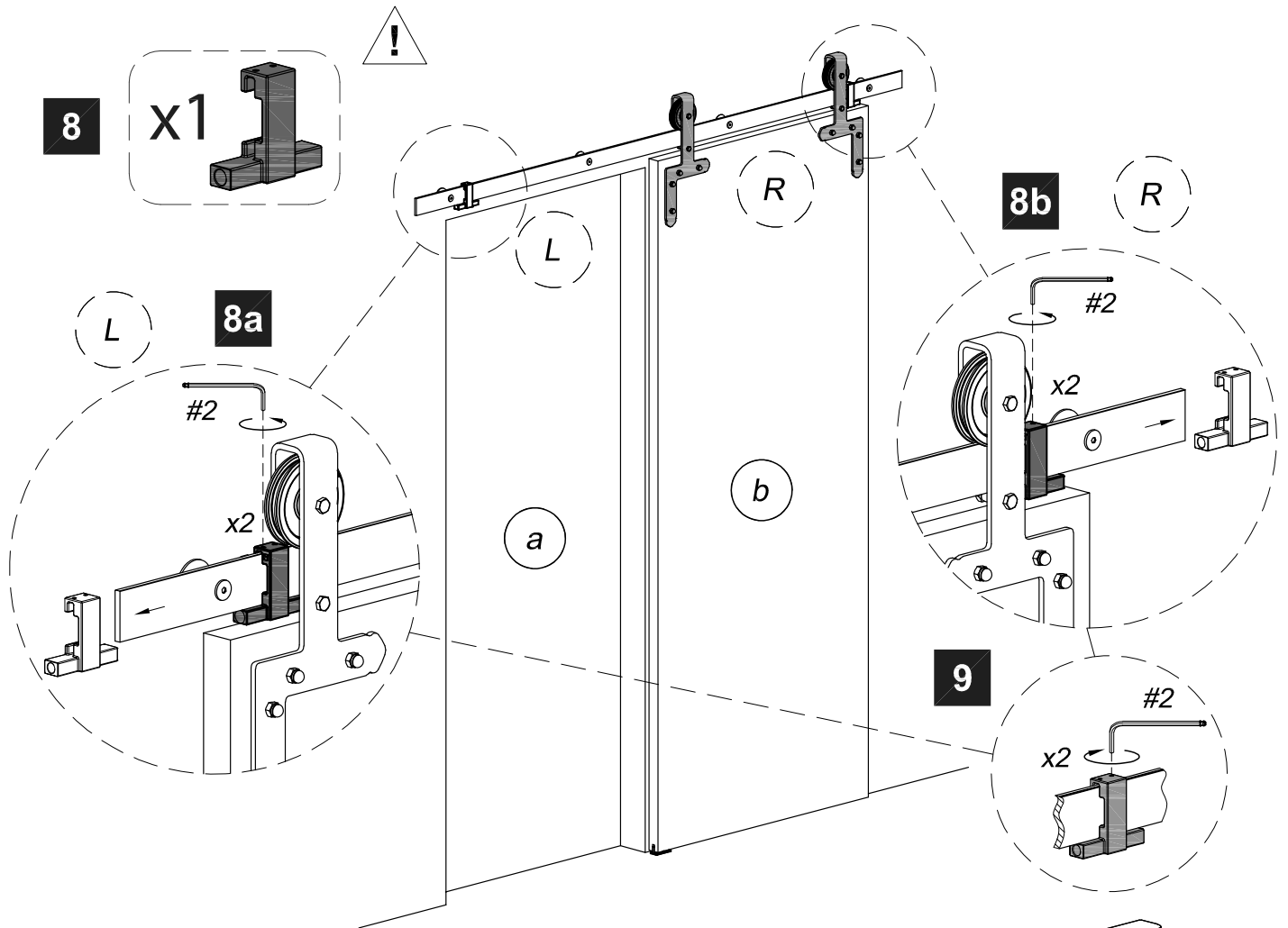


7a



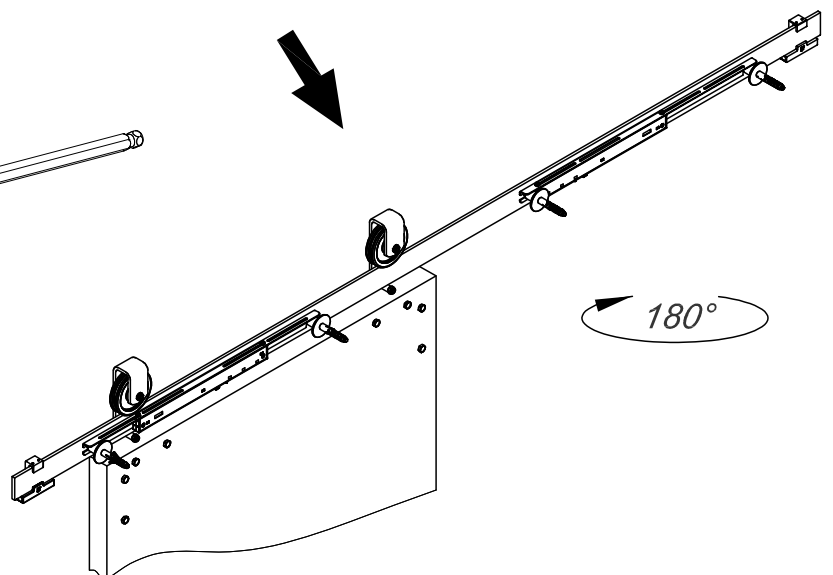
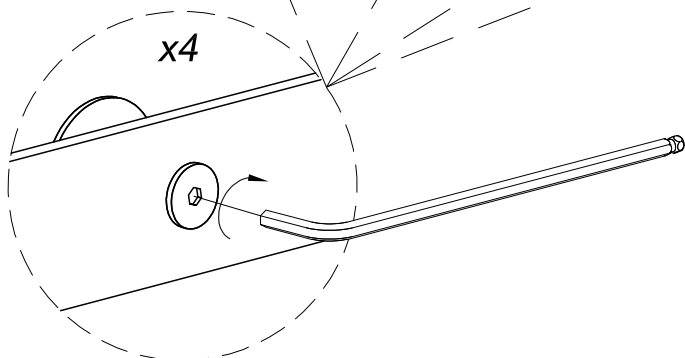
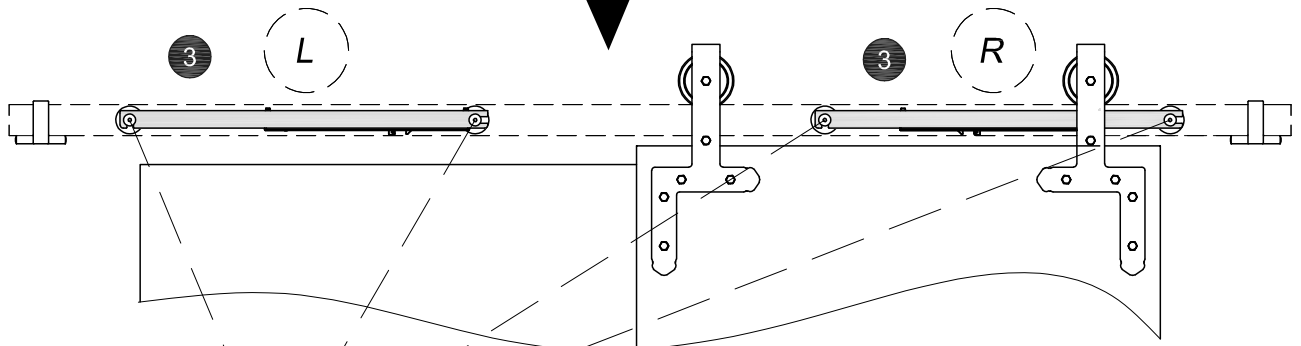
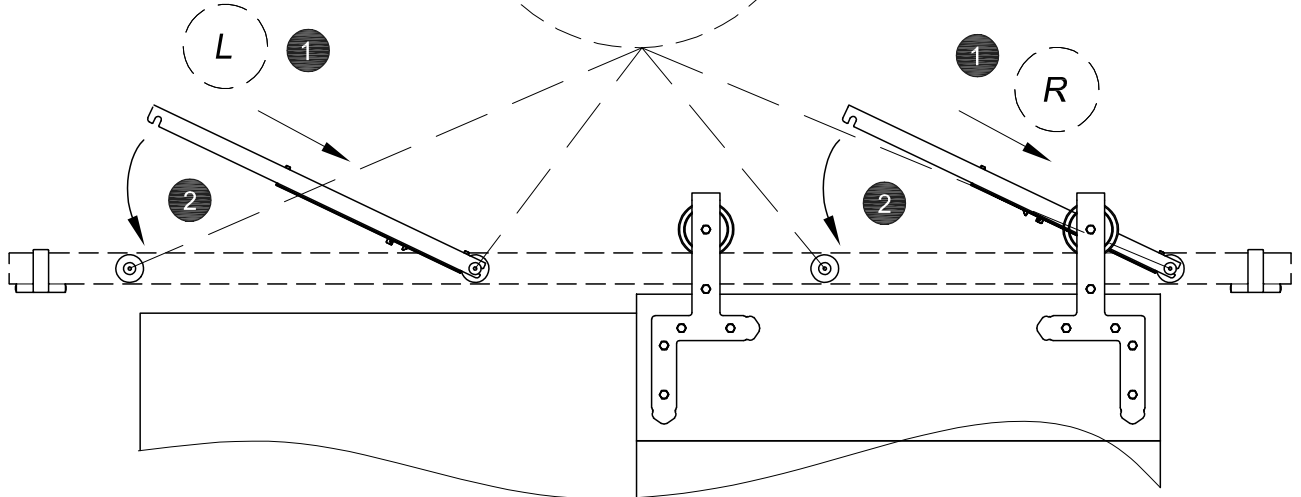
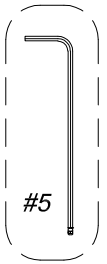
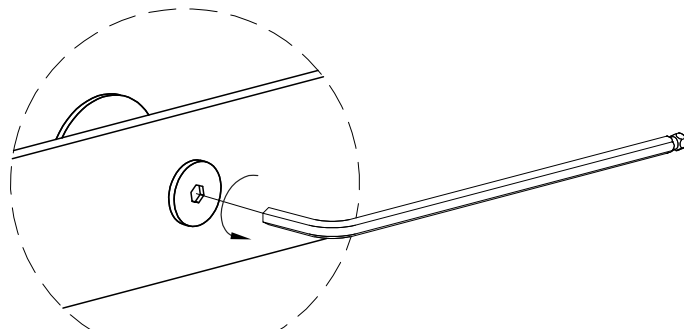
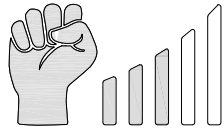
7b





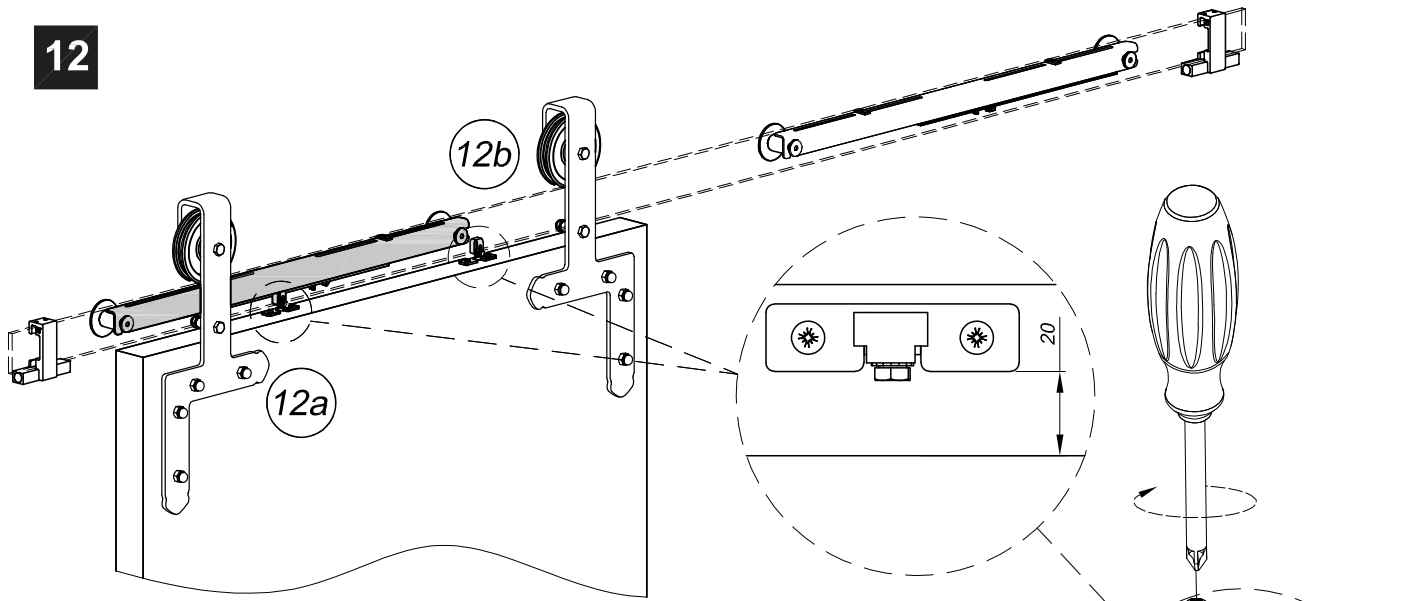


11

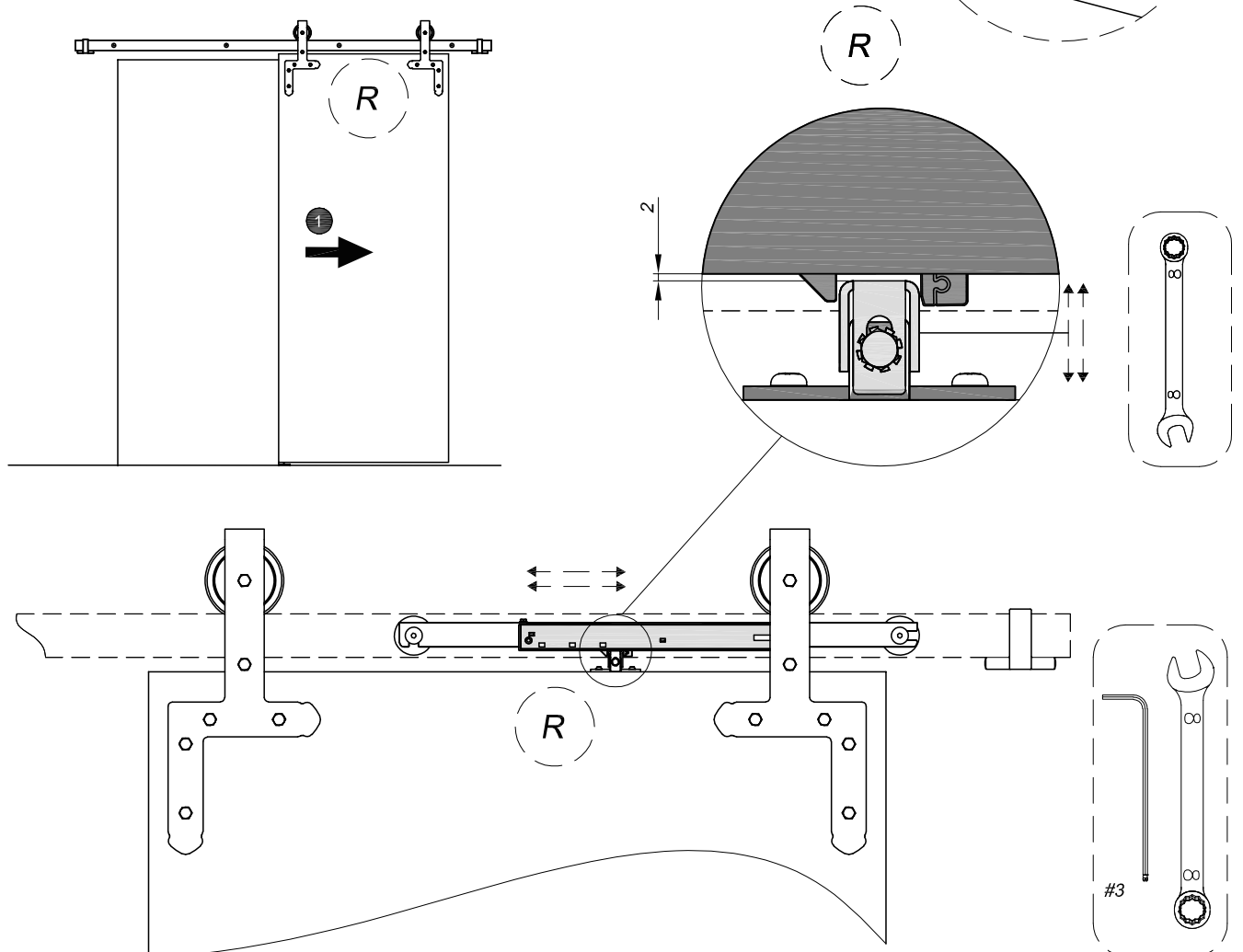




12



12a





12b

