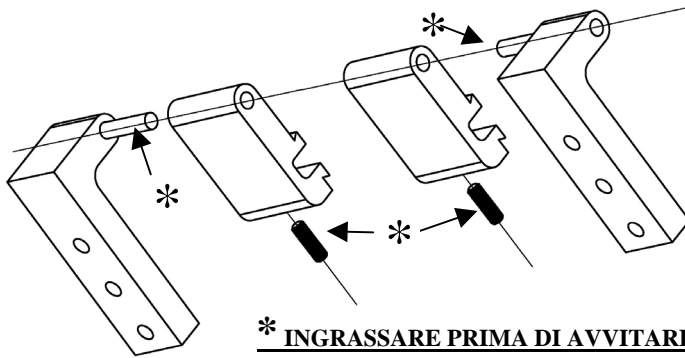


**KIT OSCILLANTE PER ATTUATORI A CATENA "GREEN LINE"**  
**OSCILLATING KIT FOR "GREEN LINE" ELECTRIC CHAIN ACTUATORS**  
**KIT ETRIER PIVOTANT POUR COMMANDES ELECTRIQUE A CHAINE "GREEN LINE"**  
**DREHKONSOLE FÜR "GREENLINE" KETTENANTRIEBE**  
**KIT OSCILLANTE PARA EJECUTORES ELECTRICOS A CADENA "GREEN LINE"**

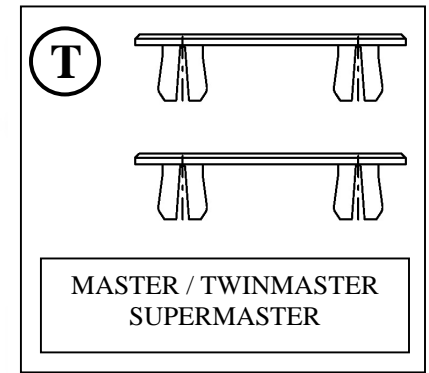
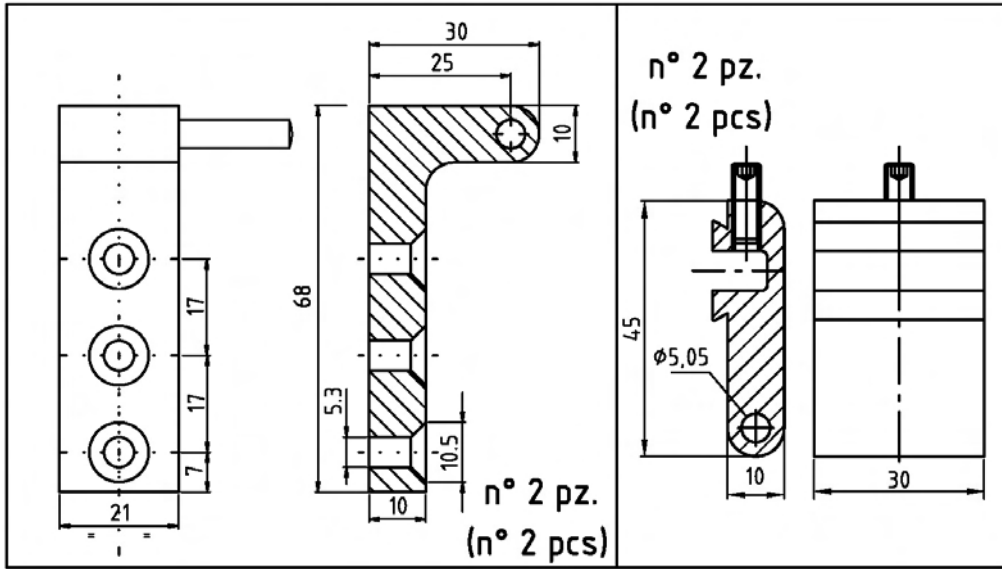
MANUALE D'USO: ISTRUZIONI ED AVVERTENZE / USE MANUAL: INSTRUCTIONS AND NOTICES /  
 MANUEL POUR L'EMPLOY: INSTRUCTIONS ET AVERTISSEMENTS /  
 GEBRAUCHSANWEISUNGEN: LEITUNG UND ANMERKUNG / INSTRUCCIONES DE MONTAJE



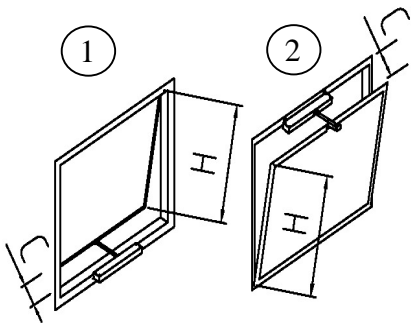
Art. 40560T



**\* INGRASSARE PRIMA DI AVVITARE - LUBRICATE BEFORE SCREWING**  
**LUBRIFIER AVANT DE LA POSE - BEVOR SCHMIEREN- ANTES LUBRICAR**

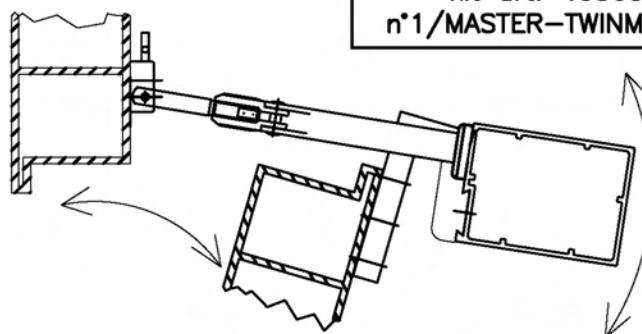
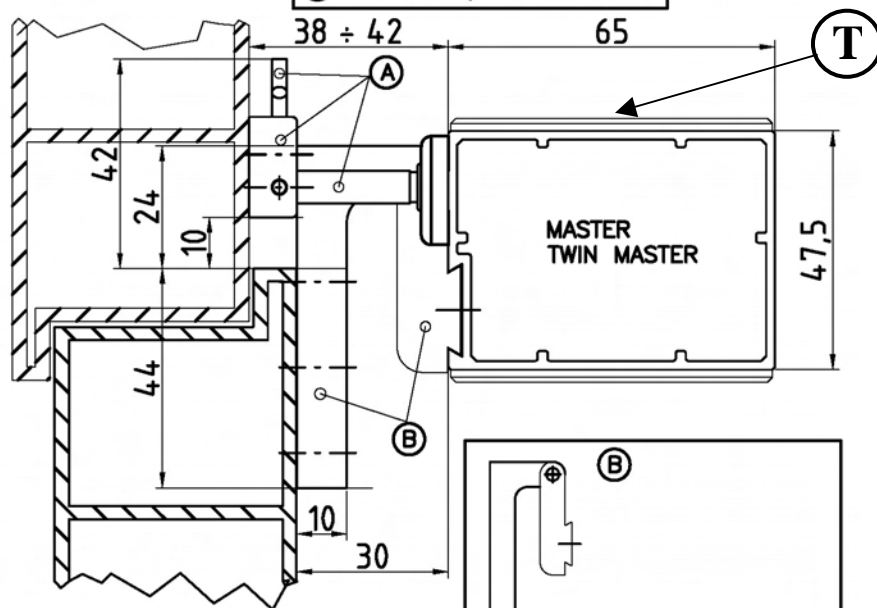
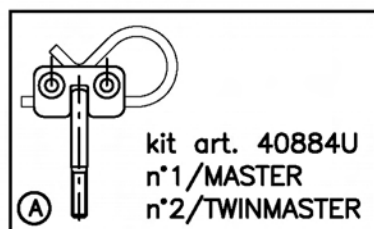
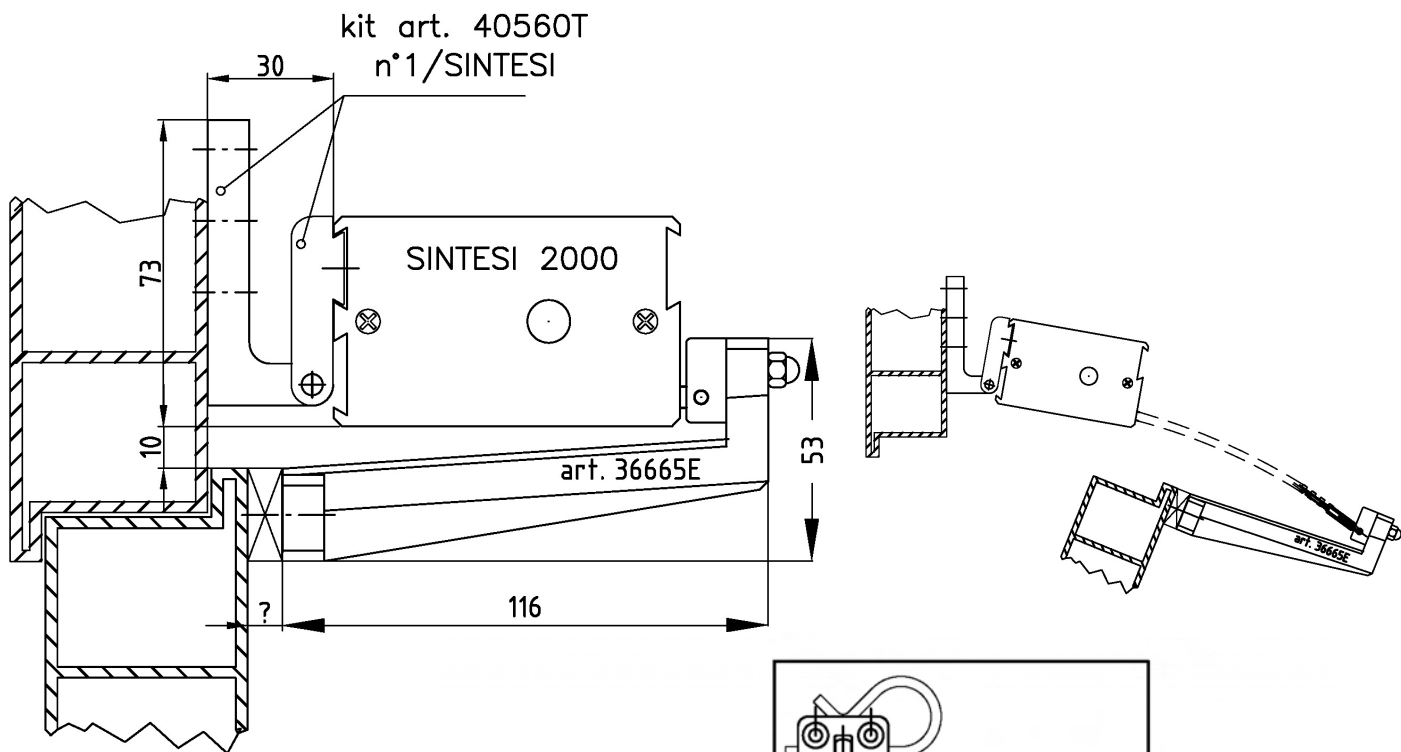


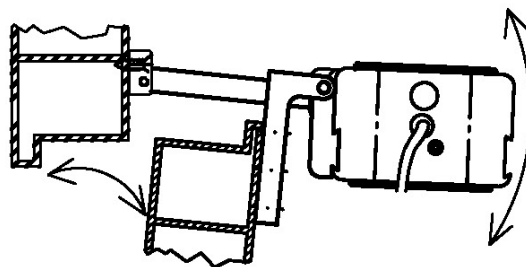
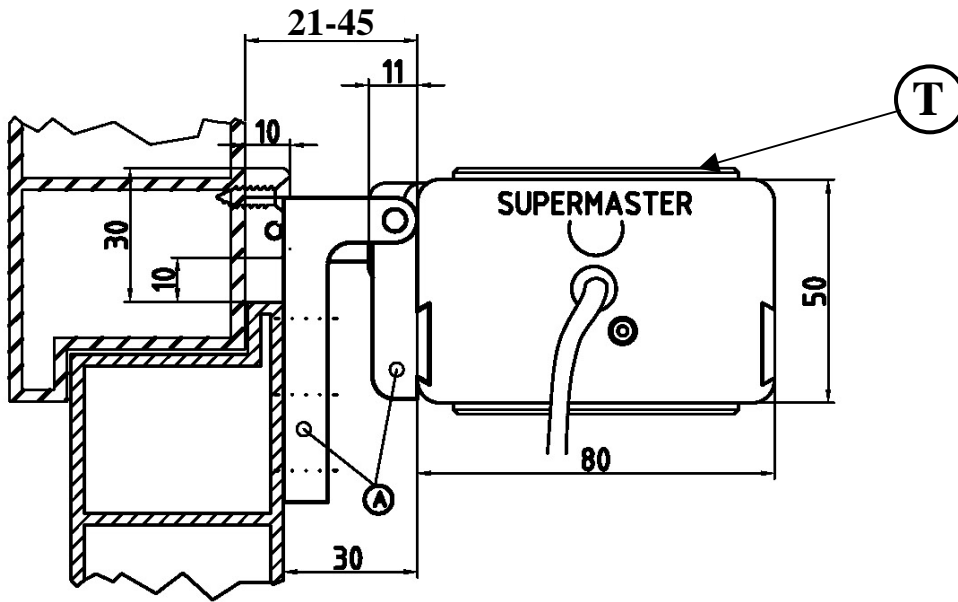
Art. 40560T      Staffe standard - Standard brackets - Étriers standard  
 Standard konsolen - Abrazaderas estándar



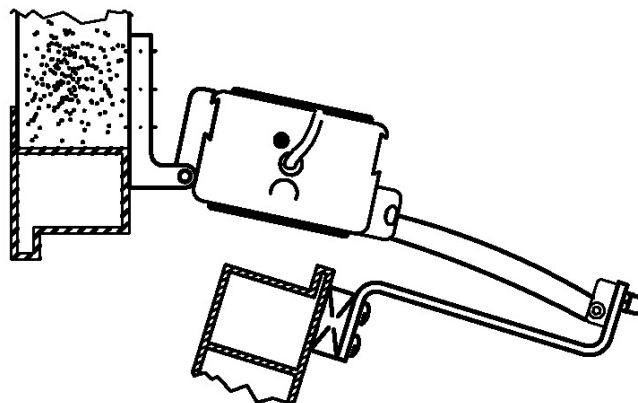
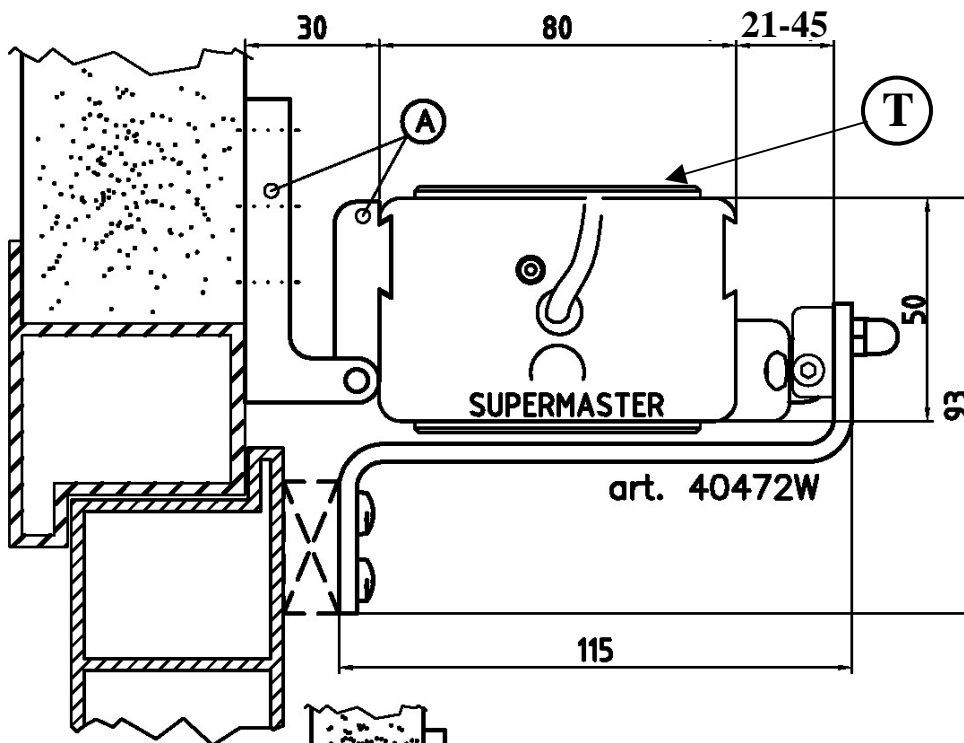
H (mm)	SINTESI C=250 mm	SINTESI C=380 mm	MASTER/TWINMASTER C=380 mm	SUPERMASTER C=450 mm	SUPERMASTER C=600 mm	SUPERMASTER C=800 mm
< 500	2	2	1-2	1-2	1-2	1-2
500-800		2	1-2	1-2	1-2	1-2
< 900				1-2	1-2	1-2
900-1200					1-2	1-2
1200-1600						1-2
>1600						

**Finestre a wasistas - Bottom hinged windows - Fenestres a soufflet**  
**Kippfenster - Ventanas de apertura al interior**





kit art. 40560T  
n°1/SUPERMASTER



**Finestre a sporgere - Top hinged windows - Chassis projectants**  
**Klappfenster - Ventanas de apertura al exterior**

