

DH-IPC-HDBW1320E-W

3MP HD Wi-Fi IR Mini Dome Camera



Features

- 1/3" 3Megapixel progressive scan CMOS
- H.264&MJPEG dual-stream encoding
- Max 20fps@3M (2304×1296)&25/30fps@1080P(1920×1080)
- DWDR, Day/Night(ICR), 3DNR, AWB, AGC, BLC
- Multiple network monitoring: Web viewer, CMS(DSS/PSS) & DMSS
- 3.6mm fixed lens (2.8mm optional)
- Max. IR LEDs Length 30m
- IP67, IK10
- Micro SD card slot, up to 128GB
- Easy4ip cloud support
- Wi-Fi support

DH-IPC-HDBW1320E-W

Technical Specifications

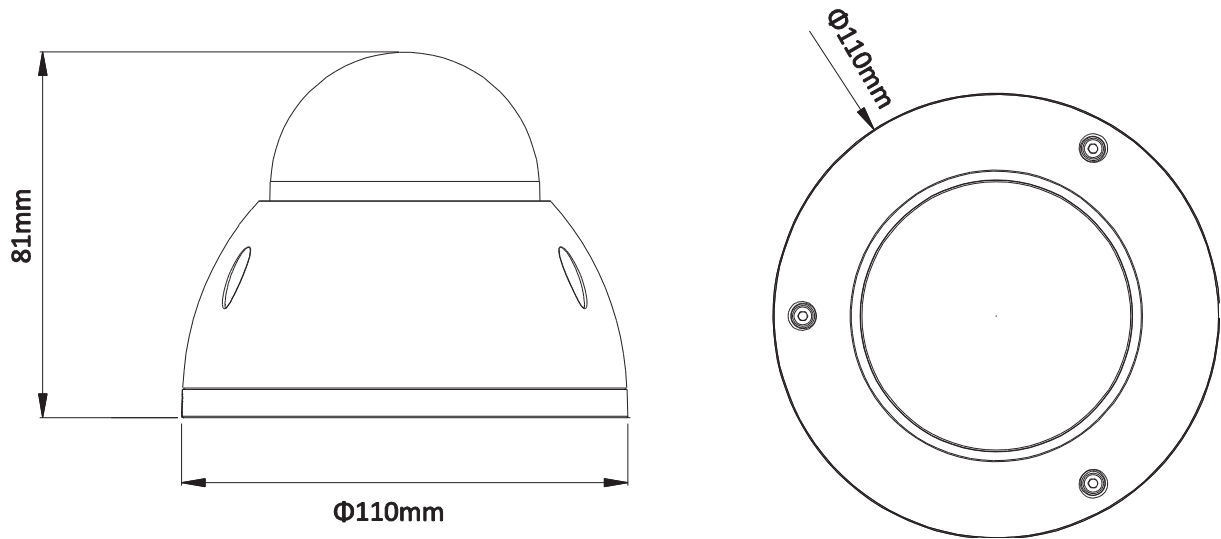
Model	DH-IPC-HDBW1320E-W	
Camera		
Image Sensor	1/3" 3Megapixel progressive scan CMOS	
Effective Pixels	2304(H) x1536(V)	
Scanning System	Progressive	
Electronic Shutter Speed	Auto/Manual, 1/3(4)~1/100000s	
Min. Illumination	0. 1Lux/F2.0(Color), 0Lux/F2.0(IR on)	
S/N Ratio	More than 50dB	
Video Output	N/A	
Camera Features		
Max. IR LEDs Length	30m	
Day/Night	Auto(ICR)/Color/B/W	
Backlight Compensation	BLC / HLC / DWDR	
White Balance	Auto/Manual	
Gain Control	Auto/Manual	
Noise Reduction	3D	
Privacy Masking	Up to 4 areas	
Lens		
Focal Length	3.6mm(2.8mm optional)	
Max Aperture	F2.0(F2.0)	
Focus Control	Manual	
Angle of View	H: 77°(100°)	
Lens Type	Fixed lens	
Mount Type	Board-in Type	
Video		
Compression	H.264/H.264H/H.264B/MJPEG	
Resolution	3M(2304×1296)/1080P(1920×1080)/720P(1280×720)/VGA(640×480)/QVGA(320×240)	
Frame Rate	Main Stream	3M(1 ~ 20fps)/1080P(1 ~ 25/30fps)
	Sub Stream	VGA(1 ~ 25/30fps)
Bit Rate	H.264: 32kbps~8192kbps	
Corridor Mode	Support	
Audio		
Compression	N/A	
Interface	N/A	
Network		
Ethernet	RJ-45 (10/100Base-T)	
Wi-Fi	Wi-Fi(IEEE802.11b/g/n) 50m(open field)	
Protocol	IPv4/IPv6, HTTP, HTTPS, TCP/IP, UDP, UPnP, ICMP, IGMP, RTSP, RTP, SMTP, NTP, DHCP, DNS, PPPOE, DDNS, FTP, IP Filter, QoS	
Compatibility	ONVIF, CGI	

DH-IPC-HDBW1320E-W

Max. User Access	20 users
Smart Phone	iPhone, iPad, Android, Windows Phone
Auxiliary Interface	
Memory Slot	Micro SD card, up to 128GB
RS485	N/A
Alarm	N/A
PIR Sensor Range	N/A
General	
Power Supply	DC12V
Power Consumption	<5.5W(IR on)
Working Environment	-30°C~+50°C, Less than 95% RH
Ingress Protection	IP67
Vandal Resistance	IK10
Dimensions	Φ110mm×81mm
Weight	0.55kg with package

DH-IPC-HDBW1320E-W

Dimensions (mm)



Accessories (optional)

PFB203W	PFA136	PFA152
		

Dahua Technology Co., Ltd.

1199BinAn Road, Binjiang District, Hangzhou, China

Tel: +86-571-87688883

Fax: +86-571-87688815

Email:overseas@dahuatech.com

www.dahuasecurity.com

*Design and specifications are subject to change without notice.

© 2016 Dahua Technology Co., Ltd.

DH-IPC-HFW1320S-W

3MP HD Wi-Fi IR Mini Bullet Camera



Features

- 1/3" 3Megapixel progressive scan CMOS
- H.264&MJPEG dual-stream encoding
- Max 20fps@3M(2304×1296)&25/30fps@1080P(1920×1080)
- DWDR, Day/Night(ICR), 3DNR, AWB, AGC, BLC
- Multiple network monitoring: Web viewer, CMS(DSS/PSS) & DMSS
- 3.6mm fixed lens (2.8mm optional)
- Max. IR LEDs Length 30m
- IP67
- Micro SD card slot, up to 128GB
- Easy4ip cloud support
- Wi-Fi support

DH-IPC-HFW1320S-W

Technical Specifications

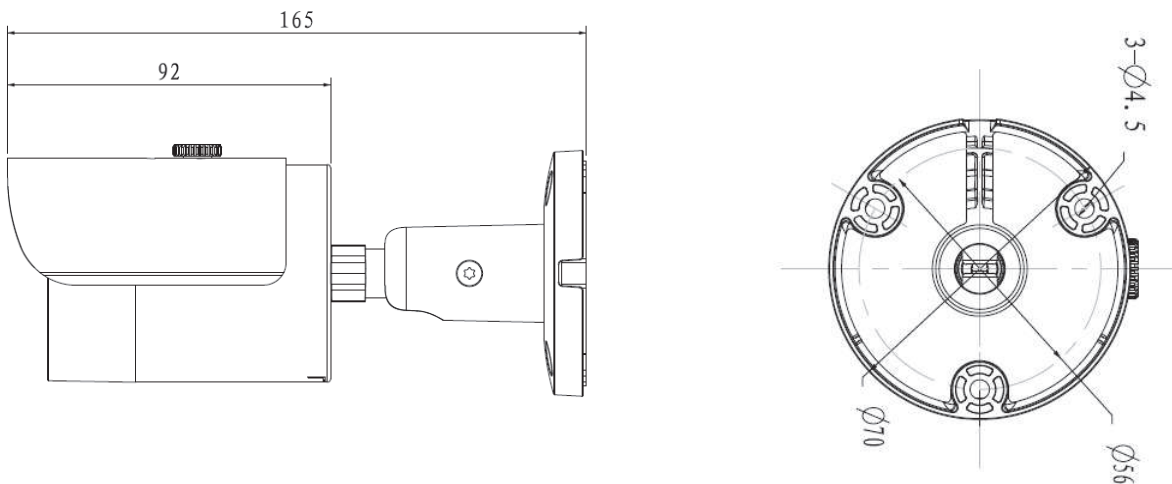
Model	DH-IPC-HFW1320S-W	
Camera		
Image Sensor	1/3" 3Megapixel progressive scan CMOS	
Effective Pixels	2304(H) × 1536(V)	
Scanning System	Progressive	
Electronic Shutter Speed	Auto/Manual, 1/3(4)s~1/100000s	
Min. Illumination	0. 1Lux/F2.0(Color), 0Lux/F2.0(IR on)	
S/N Ratio	More than 50dB	
Video Output	N/A	
Camera Features		
Max. IR LEDs Length	30m	
Day/Night	Auto(ICR)/Color/B/W	
Backlight Compensation	BLC / HLC / DWDR	
White Balance	Auto/Manual	
Gain Control	Auto/Manual	
Noise Reduction	3D	
Privacy Masking	Up to 4 areas	
Lens		
Focal Length	3.6mm(2.8mm optional)	
Max Aperture	F2.0(F2.0)	
Focus Control	Manual	
Angle of View	H: 77°(100°)	
Lens Type	Fixed lens	
Mount Type	Board-in Type	
Video		
Compression	H.264/ H.264H/H.264B/MJPEG	
Resolution	3M(2304×1296)/1080P(1920×1080)/720P(1280×720)/VGA(640×480)/QVGA(320×240)	
Frame Rate	Main Stream	3M(1 ~ 20fps)/1080P(1 ~ 25/30fps)
	Sub Stream	VGA/QVGA(1 ~ 25/30fps)
Bit Rate	H.264: 32kbps~8192kbps	
Corridor Mode	Support	
Audio		
Compression	N/A	
Interface	N/A	
Network		
Ethernet	RJ-45 (10/100Base-T)	
Wi-Fi	Wi-Fi(IEEE802.11b/g/n) 50m(open field)	
Protocol	IPv4/IPv6, HTTP, HTTPS, TCP/IP, UDP, UPnP, ICMP, IGMP, RTSP, RTP, SMTP, NTP, DHCP, DNS, PPPOE, DDNS, FTP, IP Filter, QoS	
Compatibility	ONVIF, CGI	

DH-IPC-HFW1320S-W



Max. User Access	20 users
Smart Phone	iPhone, iPad, Android, Windows Phone
Auxiliary Interface	
Memory Slot	Micro SD card, up to 128GB
RS485	N/A
Alarm	N/A
PIR Sensor Range	N/A
General	
Power Supply	DC12V
Power Consumption	<5.5W(IR on)
Working Environment	-30°C~+50°C, Less than 95% RH
Ingress Protection	IP67
Vandal Resistance	N/A
Dimensions	Φ 70mm×165mm
Weight	0.49Kg with package

DH-IPC-HFW1320S-W

Dimensions (mm)



Accessories (optional)

	
PFA121	PFA152

Dahua Technology Co., Ltd.

1187BinAn Road, Binjiang District, Hangzhou, China

Tel: +86-571-87688883

Fax: +86-571-87688815

Email: overseas@dahuatech.com

www.dahuasecurity.com

*Design and specifications are subject to change without notice.

© 2016 Dahua Technology Co., Ltd.

DH-NVR4104-W

4CH Smart 1U WiFi Network Video Recorder



Features

- > Up to 4 channel IP camera input
- > H.264/MJPEG dual codec decoding
- > Max 80Mbps incoming bandwidth
- > HDMI/VGA simultaneous video output
- > All channel synchronous realtime playback, GRID interface
- > Support Multi-brand network cameras: Dahua, Arecont Vision, AXIS, Bosch, Brickcom, Canon, CP Plus, Honeywell, Panasonic, Pelco, Samsung, Sanyo, Sony, Videotec, Vivotek and etc.
- > ONVIF Version 2.4 conformance
- > 3D intelligent positioning with Dahua PTZ camera
- > Support 1 SATA HDD up to 4TB, 2 USB2.0
- > Support WiFi network connection
- > Multiple network monitoring: Web viewer, CMS(DSS/Smart PSS) &Smart Phone(DMSS)

DH-NVR4104-W

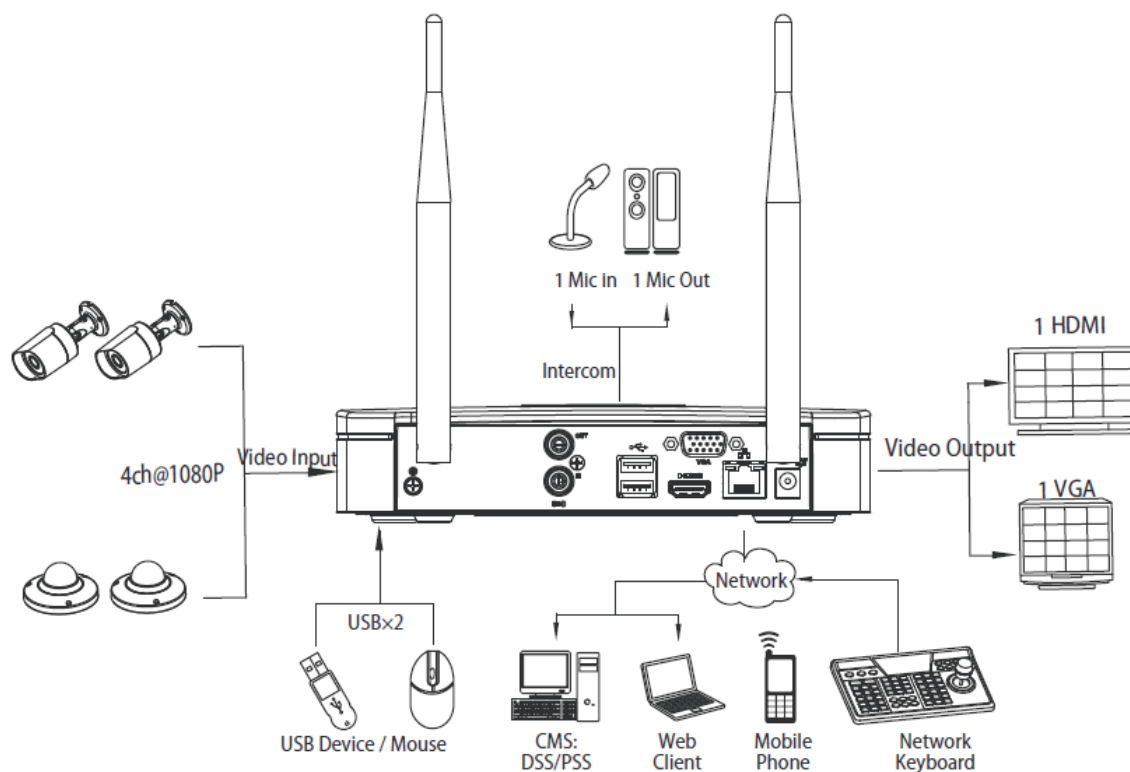
Technical Specifications

Model	DH-NVR4104-W
System	
Main Processor	Dual-core embedded processor
Operating System	Embedded LINUX
Video& Audio	
IP Camera Input	4 channel
Two-way Talk	1channel Input, 1channel Output, RCA
Display	
Interface	1 HDMI,1 VGA
Resolution	1920×1080, 1280×1024, 1280×720, 1024×768
Display Split	1/4
OSD	Camera title, Time, Video loss, Camera lock, Motion detection, Recording
Recording	
Compression	H.264/MJPEG
Resolution	5Mp(2560×1920)/3Mp(2048×1536)/1080P(1920×1080)/720P(1280×720)/D1 (704×576/704×480)
Record Rate	80Mbps
Bit Rate	48~ 8192kbps
Record Mode	Manual, Schedule(Regular(Continuous), MD, Alarm), Stop
Record Interval	1~120 min (default: 60 min), Pre-record: 1~30 sec, Post-record: 10~300 sec
Video Detection	
Trigger Events	Recording, PTZ, Tour, Video Push, Email, FTP, Snapshot, Buzzer & Screen tips
Video Detection	Motion Detection, MD Zones: 396(22×18), Video Loss & Camera Blank
Playback & Backup	
Sync Playback	1/4
Search Mode	Time/Date, Alarm, MD & Exact search (accurate to second), Smart search
Playback Function	Play, Pause, Stop, Rewind, Fast play, Slow play, Next file, Previous file, Next camera, Previous camera, Full screen, Repeat, Shuffle, Backup selection, Digital zoom
Backup Mode	USB Device/Network/Internal SATA burner
Network	
Ethernet	1 RJ-45 port (10/100Mbps)
Wireless Network	Built-in WiFi module
Network Function	HTTP, TCP/IP, IPv4/IPv6, UPNP, RTSP, UDP, SMTP, NTP, DHCP, DNS, IP Filter, PPPOE, DDNS, FTP, Alarm Server, IP Search(Support Dahua IP camera, DVR, NVS and etc.)
Max. User Access	128 users
Smart Phone	iPhone, iPad, Android, Windows Phone
Storage	
Internal HDD	1 SATA port, up to 4TB
Auxiliary Interface	
USB	2 ports (2 Rear),USB2.0

DH-NVR4104-W

General	
Power Supply	DC12V/2A
Power Consumption	10W(without HDD)
Working Environment	-10°C ~ +55°C / 10%~90%RH / 86~106kpa
Dimension (W×D×H)	Smart 1U, 205mm×205mm×45mm
Weight	0.5KG(without HDD)

System Connection



*Takes NVR4104-W as an example

Dahua Technology Co., Ltd.

1199 BinAn Road, Binjiang District, Hangzhou, China

Tel: +86-571-87688883

Fax: +86-571-87688815

Email: overseas@dahuatech.com

www.dahuatech.com

*Design and specifications are subject to change without notice.

© 2014 Dahua Technology Co., Ltd.