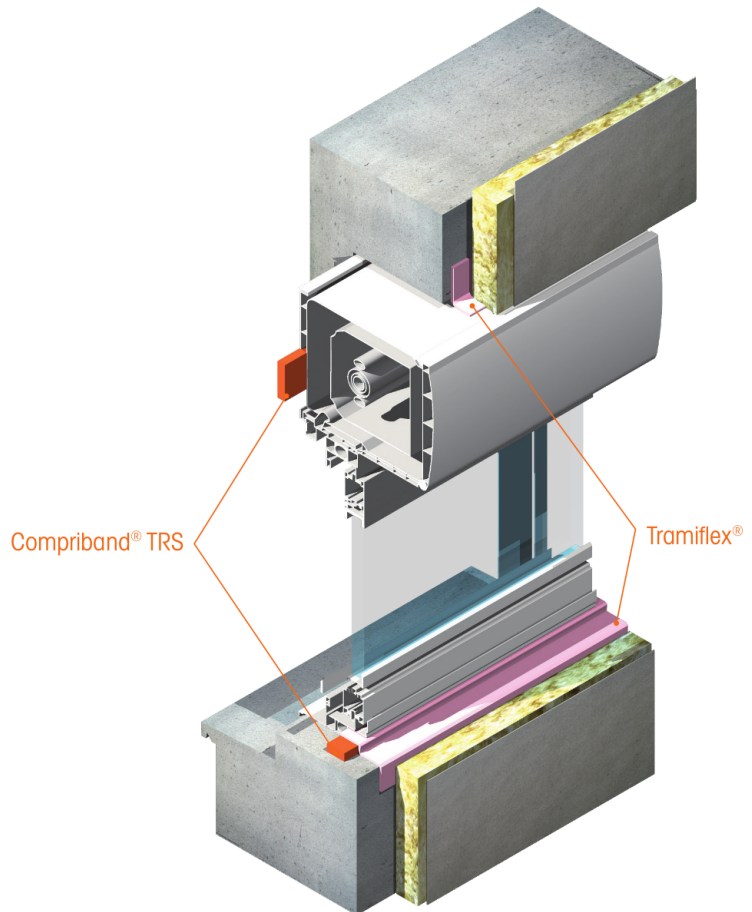
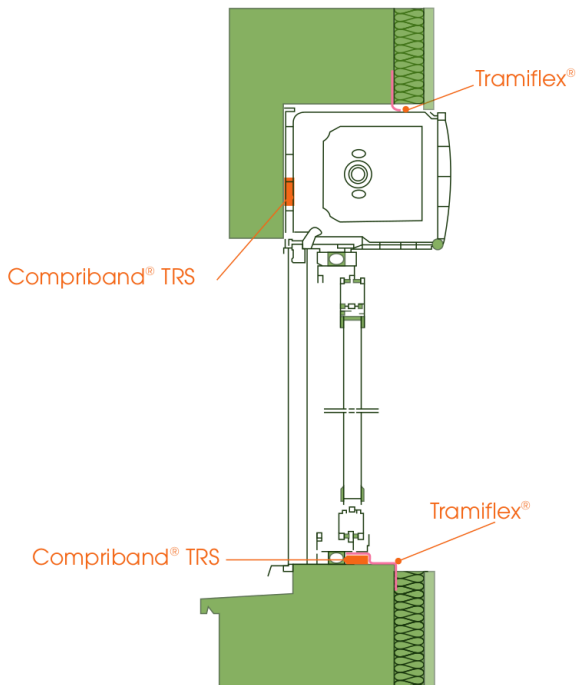


COMPRIBAND® TRS  
TRAMIFLEX® BC+

PAGE 14  
PAGE 21



COMPRIBAND® TRS  
TRAMIFLEX® EPDM

PAGE 14  
PAGE 22

