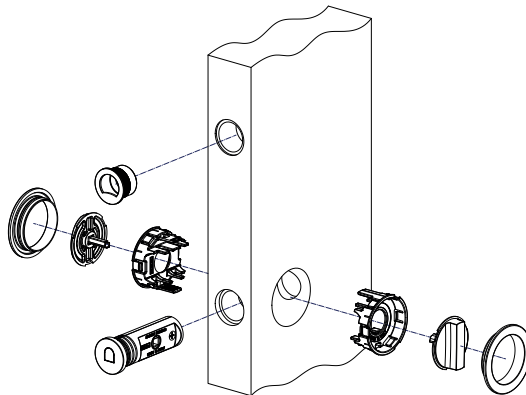


i-3255/1 i-4255/1

Hook-bolt lock and Encased Plates
for sliding doors.

Telescopic Spindle QT 6mm



ASSEMBLING INSTRUCTIONS

1. Drill the panel as shown in the drilling diagram (pag. 4).

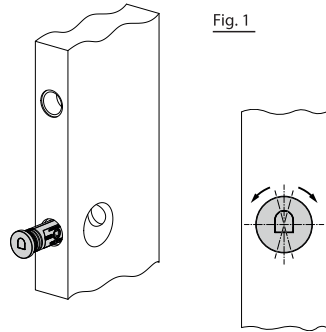


Fig. 1

2. Enter the lock in the seat, taking care to orient aligned with the door (Fig.1).

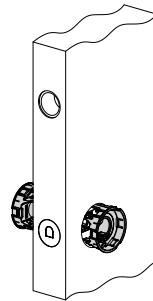


Fig. 2

3. Apply the two plastic supports of the encased plates in their housing ø48 (Fig. 2). The supports must be inserted opposite and rotated 180° between them, in this way they engage each other, until their stopping on both sides of the door and adapting automatically to the thickness of the panel.

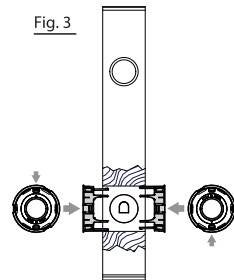


Fig. 3

4. Insert the knob and the emergency disc against the plastic supports until the engagement thereof (Fig. 4).

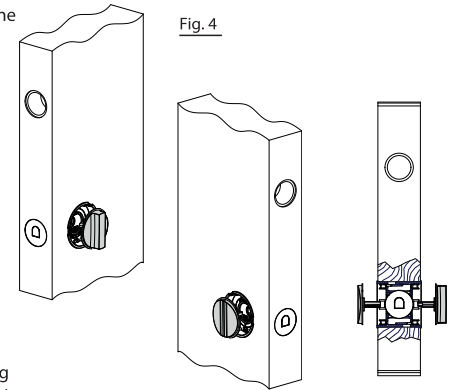


Fig. 4

5. Place the plates, round or square, pressing them until their stop clamping into the holders and against the surface of the panel (Fig. 5).

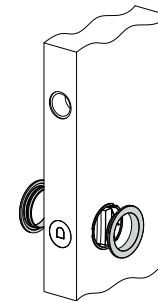


Fig. 5

6. Apply the pull handle in its seat (Fig. 6).

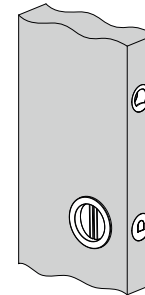
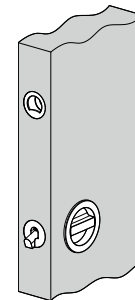
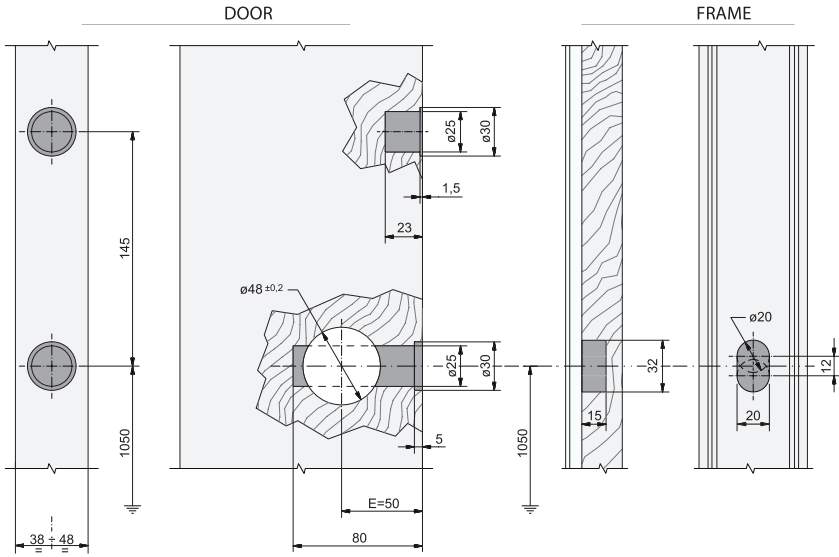


Fig. 6

7. Verify the correct working of the lock.

DRILLING DIAGRAM



HOUSING FOR COVER MILLING STRIKER

