

ASKARI Panel & Flange

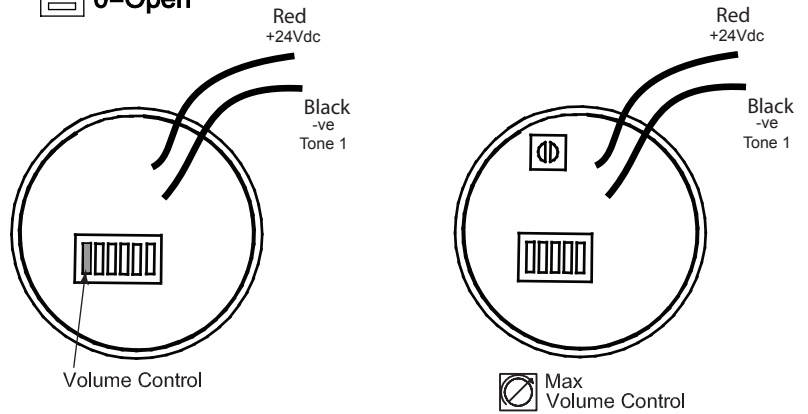
Specification

Operating Voltage	18-24V AC
Operating Current	17-41mA
Current Consumption Nom	See Tones Table Below
Operating Temperature	-25°C - +70°C
Case Material	ABS
Environment Category	Type A/B
Ingress Protection	IP65



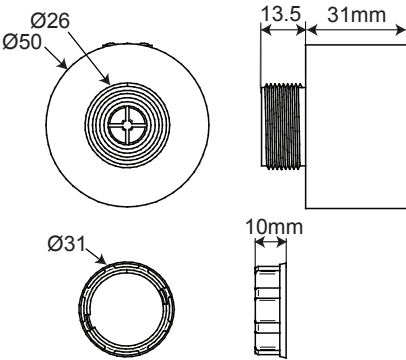
Connection Details

1=Closed
 0=Open



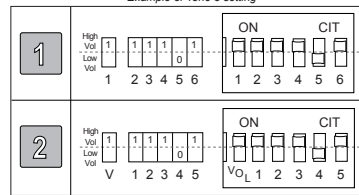
Dimensions

Askari Panel



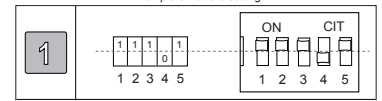
6 Way Switch Variants

Example of Tone 3 setting



5 Way Switch Variants

Example of Tone 3 setting



Tones table

Primary tone	Secondary tone	Switch setting	Tone Description				Main Application	Askari				
			12345	Pattern	Frequency Hz	Rate		Description	18Vac		24Vac	
									SPL(db(A))	I(mA)	SPL(db(A))	I(mA)
1	14	11111	Alternating	800 & 970	2Hz (250ms-250ms)		B S Fire tone	95	18	97	23	
2	14	11110	Sweep	800 to 970	7Hz (7/s)		B S Fire tone	97	18	99	23	
3	14	11101	Sweep	800 to 970	1Hz (1/s)		B S Fire tone	98	19	100	23	
4	14	11100	Continuous	2850	S steady			93	30	95	37	
5	4	11011	Sweep	2400 to 2850	7Hz			100	32	103	41	
6	4	11010	Sweep	2400 to 2850	1Hz			101	32	103	41	
7	14	11001	Slow whoop	300 to 1200	3s sweep, 0.5 s silence, then repeat		Dutch Fire tone	100	21	101	25	
8	14	11000	Sweep	1200 to 500	1Hz		Din tone	100	23	102	29	
9	4	10111	Alternating	2400 & 2850	2Hz (250ms-250ms)			98	31	100	40	
10	14	10110	Intermittent	970	0.5Hz (1s On/1s Off)			97	18	99	23	
11	14	10101	Alternating	800 & 970	1Hz (500ms-500ms)		B S Fire tone	96	18	98	23	
12	4	10100	Intermittent	2850	0.5Hz (1s On/1s Off)			95	28	96	36	
13	14	10011	Intermittent	970	0.8Hz (250ms On/1s Off)			95	10	96	12	
14	14	10010	Continuous	970	S steady		B S Fire tone	97	19	99	24	
15	14	10001	Alternating	554 & 440	100ms-400ms		French fire tone	99	22	101	28	
16	16	10000	Intermittent	660	3.3Hz (150ms On/150ms Off)		S wedish fire tone	96	14	98	17	
17	17	01111	Intermittent	660	0.28Hz (1.8s On/1.8s Off)		S wedish fire tone	92	16	94	20	
18	18	01110	Intermittent	660	0.05Hz (13s Off / 6.5Hz On)		S wedish fire tone	92	17	94	20	
19	19	01101	Continuous	660	S steady		S wedish fire tone	92	16	94	20	
20	20	01100	Alternating	554 & 440	0.5Hz (1s On/1s Off)		S wedish fire tone	94	23	96	29	
21	21	01011	Intermittent	660	1Hz (500ms-500ms)		S wedish fire tone	92	11	94	19	
22	14	01010	Intermittent	2850	4Hz (150ms On/100ms Off)		Pelican crossing	91	24	93	31	
23	14	01001	Sweep	800 to 970	50Hz		B S Fire tone	92	18	94	23	
24	4	01000	Sweep	2400 to 2850	50Hz			96	32	98	41	
25	25	00111	Intermittent	970	3 x 500ms pulses followed by 1.5s silence then repeat		ISO 8201	92	17	94	22	
26	26	00110	Intermittent	800 & 970	3 x 500ms pulses followed by 1.5s silence then repeat		ISO 8201	93	10	95	20	
27	27	00101	Alternating	970 & 800	2Tx 3 1.5s silence then repeat			92	17	94	22	
28	10	00100	Alternating	800 & 970	2Hz (250ms-250ms)		B S Fire tone	92	18	94	23	
29	33	00011	Alternating	990 & 650	2Hz (250ms-250ms) (Symphoni tones)		B S Fire tone	95	33	93	26	
30	35	00010	Alternating	510 & 610	2Hz (250ms-250ms) (Squashni Micro tones)		B S Fire tone	93	26	95	34	
31	31	00001	Sweep	300 to 1200	1Hz			94	25	96	30	
32	32	00000	Alternating	510 & 610	S steady			94	22	95		

