

- Max forces applicable to the hinge:
- Fy (daN) max vertical strength (COMPRESSION)
- Fx (daN) max horizontal strength (TENSILE STRENGTH)
- Fz (daN) max horizontal strength (WIND THRUST)
- The declared strengths are calculated with distance X (leaf – pin axis) and Y (leaf axis – hinge axis) indicated in the chart.
- R max= the strengths applied to the hinge have to be reduced of 20%
- R min= the strengths applied to the hinge have to be increased of 20%
- Check that the supporting structure is suitable to the force transmitted to the leaf.



cod.	mm.	pz/pcs	A	B	C	ØD	E	L	sp	M
880.12	M12	10	45	37	24	Ø12	6	100	6	M12
880.16	M16	10	45	43	27	Ø14	8	118	6	M16
880.20	M20	10	70	49	35	Ø17	8	166	8	M20
880.24	M24	10	70	51	35	Ø17	12	168	8	M24

cod.	P	R	CH.2	piastra	Fx (daN)	Fy (daN)	Fz (daN)	X	Y	tub.
880.12	23-36	43-87	Es.4	75x45x6	30	25	20	65	40	30
880.16	78-103	48-102	Es.5	148x60x8	40	30	20	75	90	50
880.20	37-62	64-147	Es.6	120x60x8	100	100	60	90	60	50
880.24	53-75	72-144	Es.6	135x70x12	160	140	100	100	70	60



Swing gates Accessories



Steel components



The strengths indicated are valid only if the article is completed with all the original "COMBI ARIALDO" components and if it is not altered someway.

The legislations, according to the various areas of use, have to be considered in the step of project/design of the leaf/door.



- Components to weld
- The weld must be adequately sized to support the applied forces and with suitable electrode material.
- Adequately strengthen the areas anchoring the door and/or structure / frame.



Lubricate all parts in contact with grease (every 6 months) . In case of anomalies, prevent the usage of the hinge and the installed product must be checked by professional personnel.



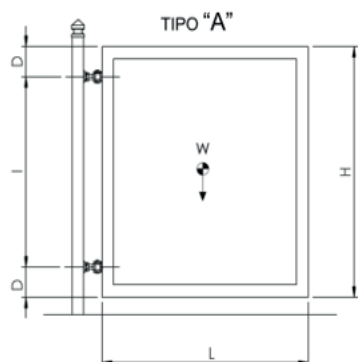
Responsibly dispose of the product and of its packaging respecting the local legislations of the Country of installation.

The company reserves the right to make technical as well as aesthetic changes without previous notice.

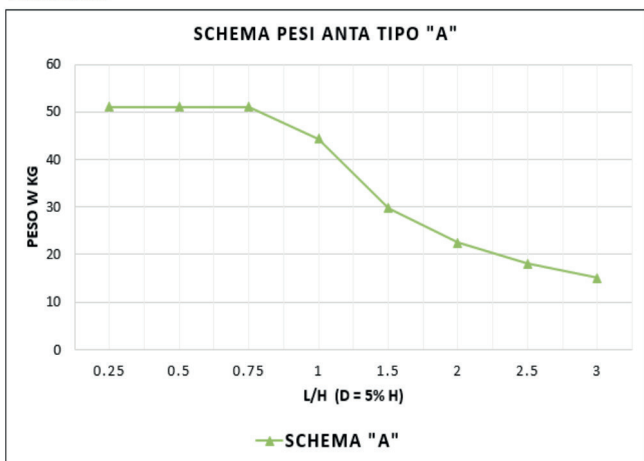
All responsibility due to an inappropriate use of the product is declined.

All drawings, photos, trademarks, logos, are of exclusive Combi Arialdo's property. All uses not expressly authorized by the company will be prosecuted.

Hinge with fixing plate to allow 180° opening with 2 way adjustment

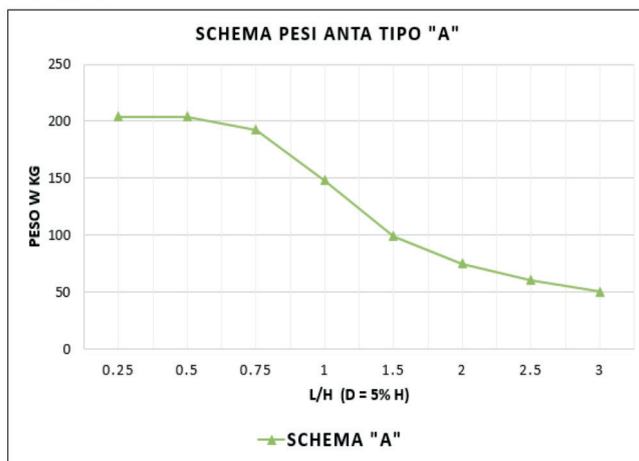


Art. 880.12



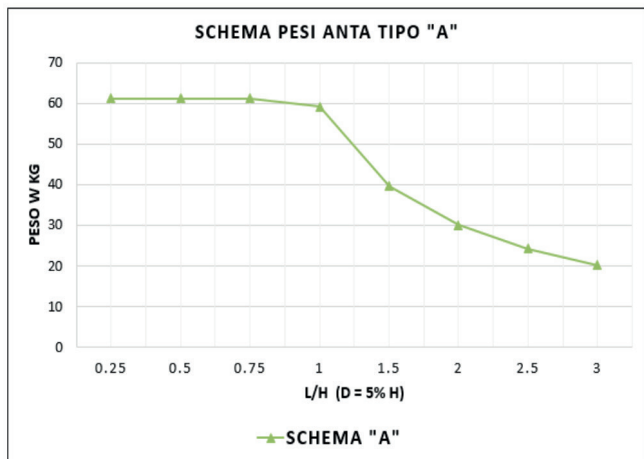
Riempimento / Leaf coverage 'A': 0.9 m² max
Classe del vento / Wind Class = 2 45 daN/m²

Art. 880.20



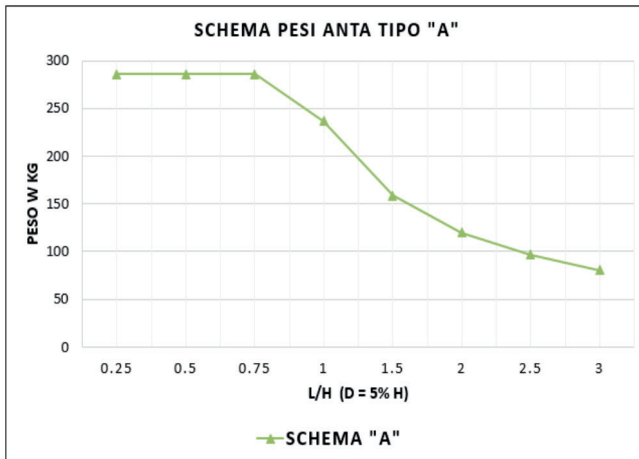
Riempimento / Leaf coverage 'A': 2.7 m² max
Classe del vento / Wind Class = 2 45 daN/m²

Art. 880.16



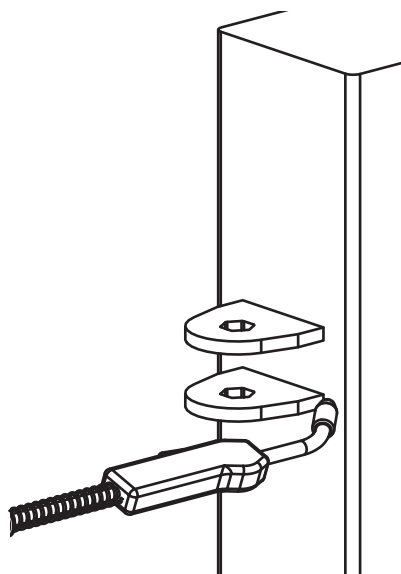
Riempimento / Leaf coverage 'A': 0.9 m² max
Classe del vento / Wind Class = 2 45 daN/m²

Art. 880.24

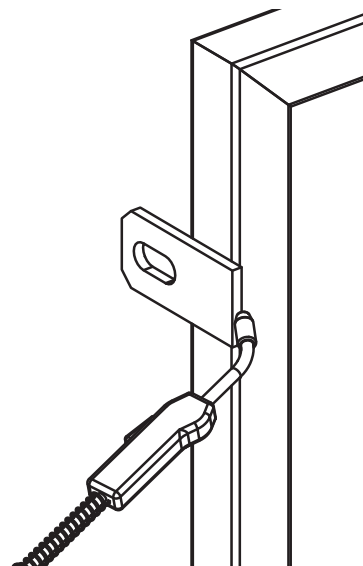


Riempimento / Leaf coverage 'A': 4.4 m² max
Classe del vento / Wind Class = 2 45 daN/m²

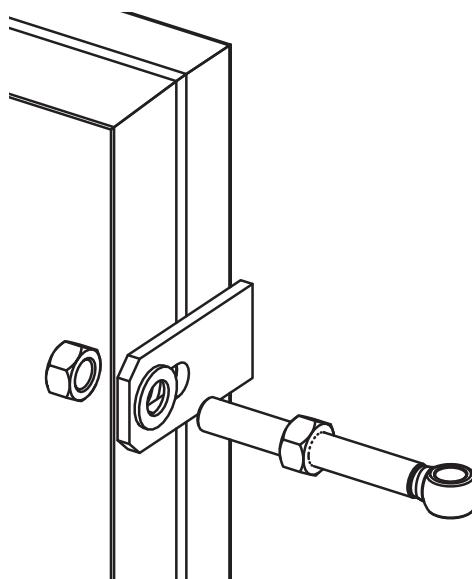
1



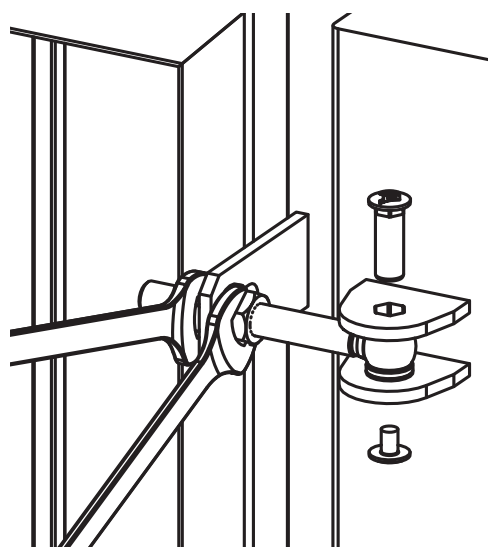
2



3



4



5

