

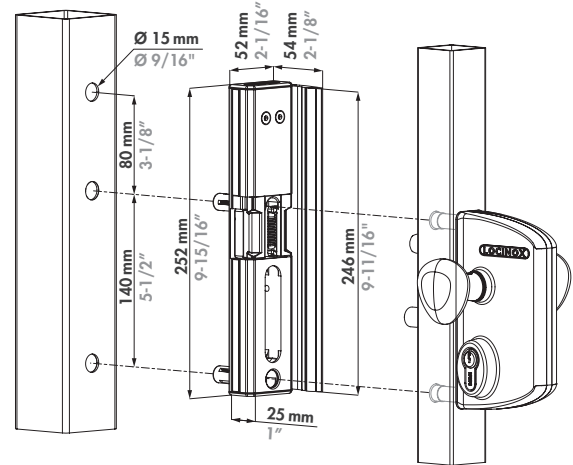
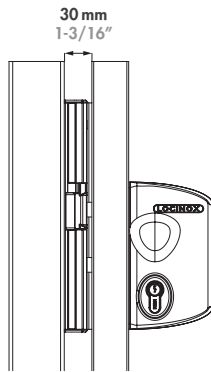
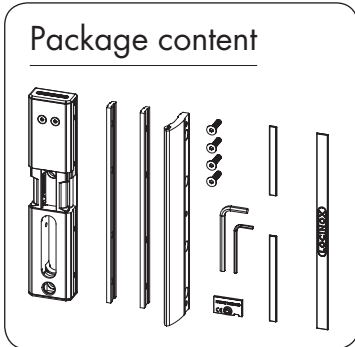
# LOCINOX<sup>®</sup>

Let's make better fences together

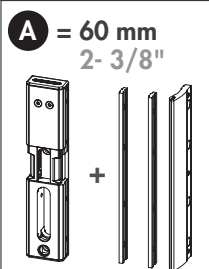
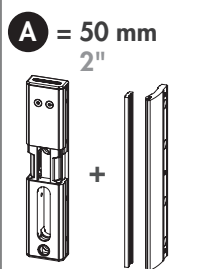
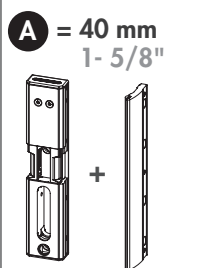
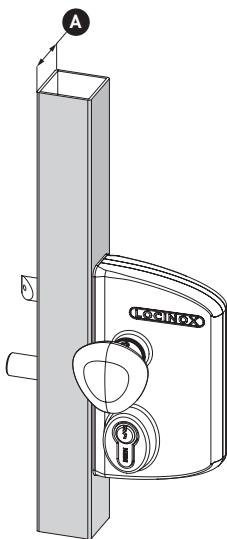


## MODULEC-SA

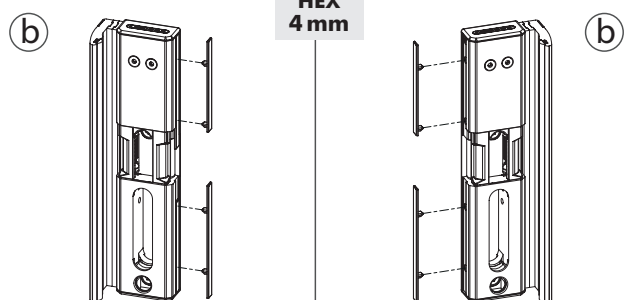
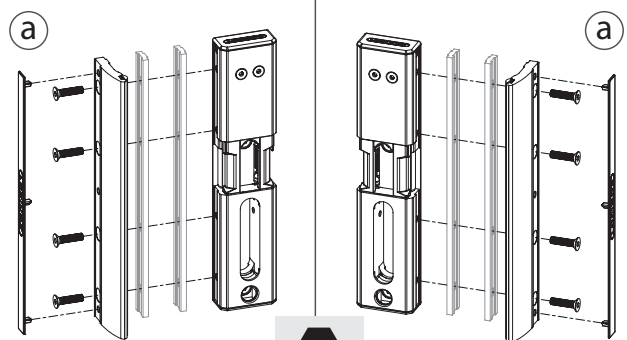
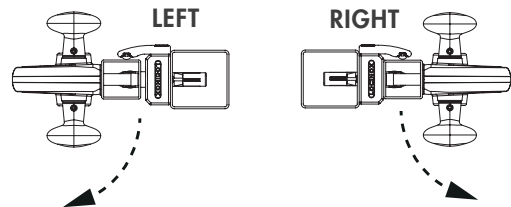
### ① Exploded view & dimensions



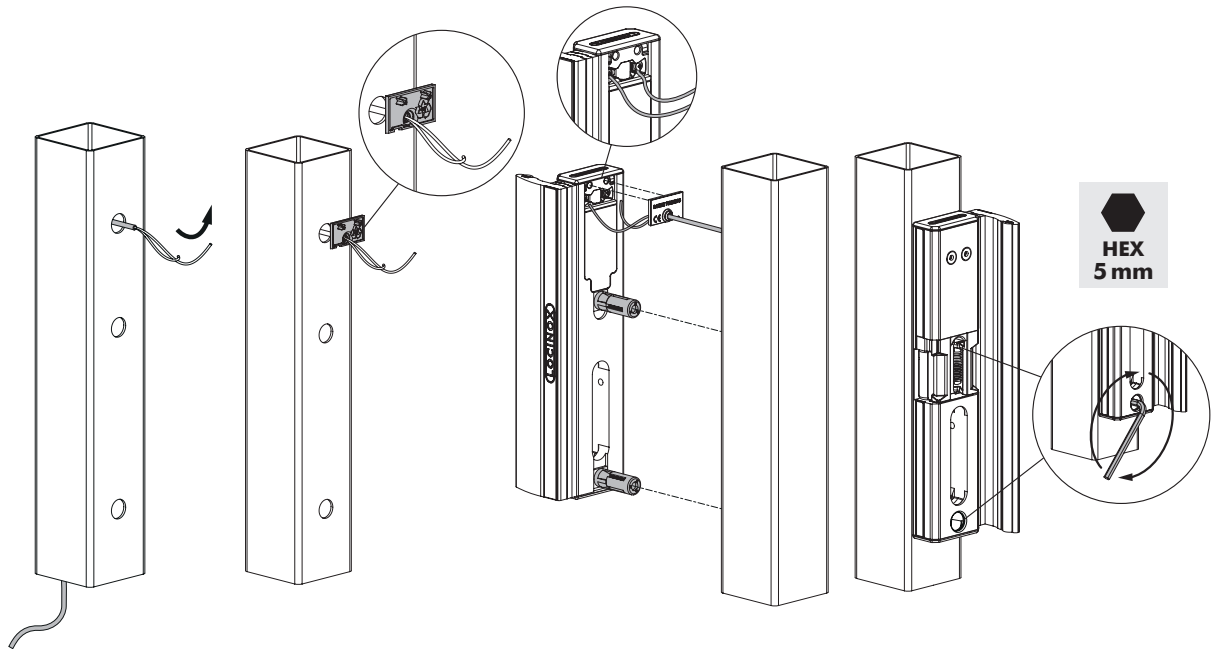
### ② Gate profile dimensions



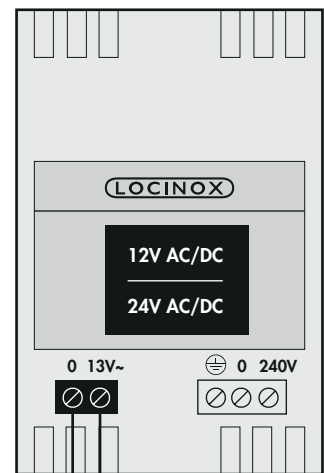
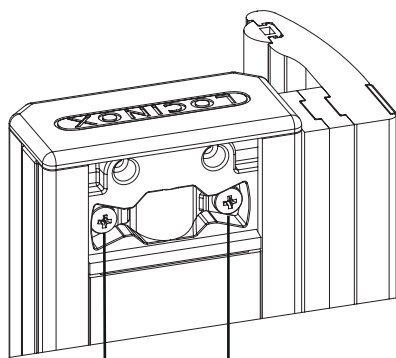
### ③ Left or right mounting



④ Mounting



⑥ Connecting



U: 12 V AC/DC  
24 V AC/DC  
P: 15 W

**LOCINOX**<sup>®</sup>  
WWW.LOCINOX.COM

**Doc. Nr.: MANU-000239**



\* M A N U - 0 0 0 2 3 9 \*

Locinox nv • Mannebeekstraat 21 • B-8790 Waregem • Belgium  
Tel. +32 (0)56 77 27 66 • Fax. +32 (0)56 77 69 26 • E-mail: locinox@locinox.com