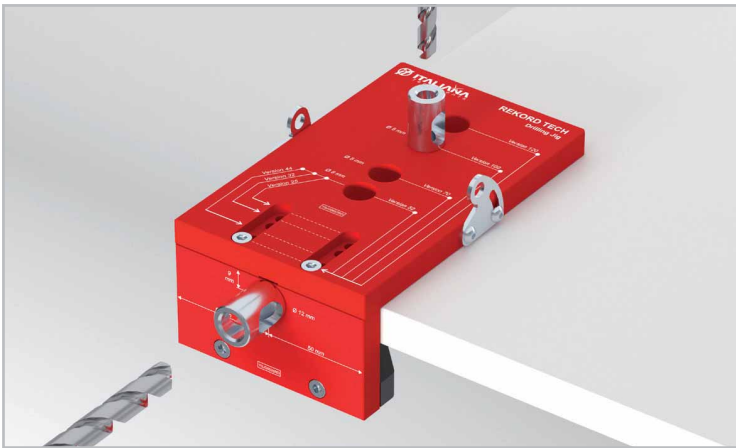


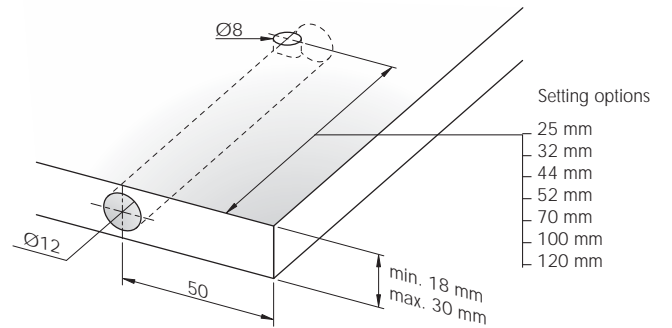
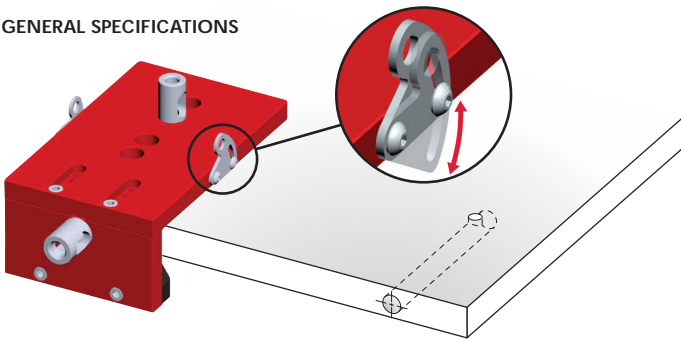


DRILLING JIG FOR REKORD TECH

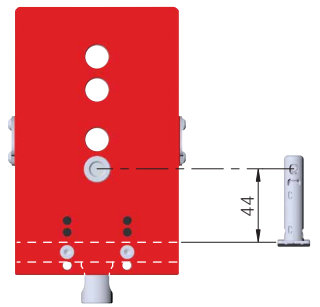
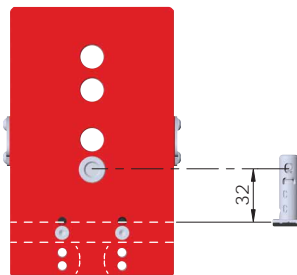
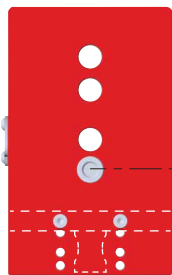
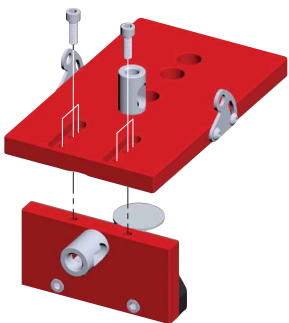
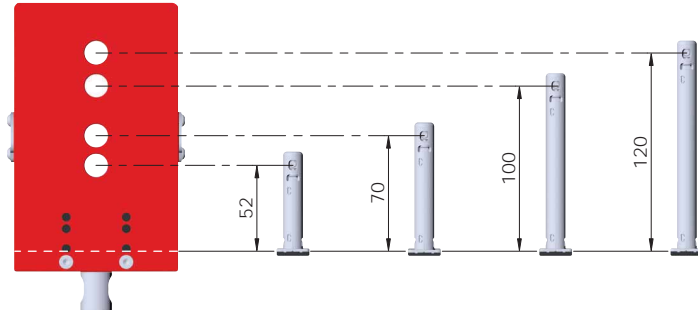
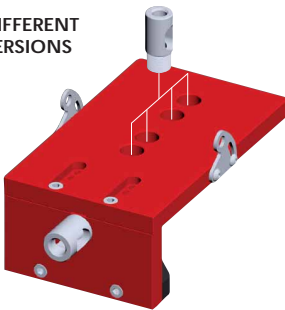


18 - 30 mm

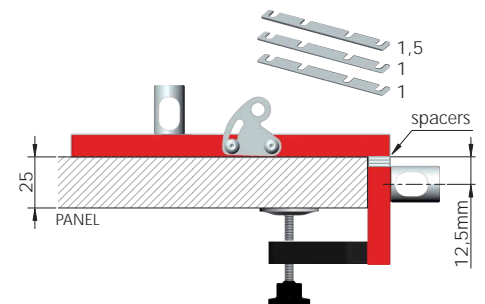
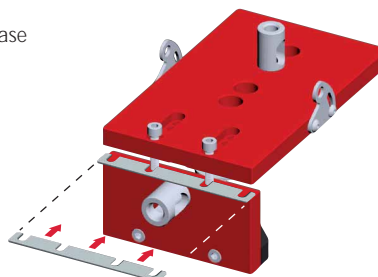
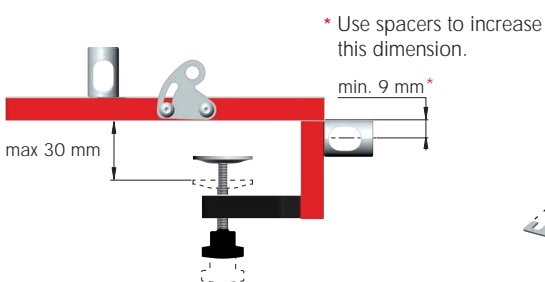
GENERAL SPECIFICATIONS



SETTINGS FOR DIFFERENT REKORD TECH VERSIONS

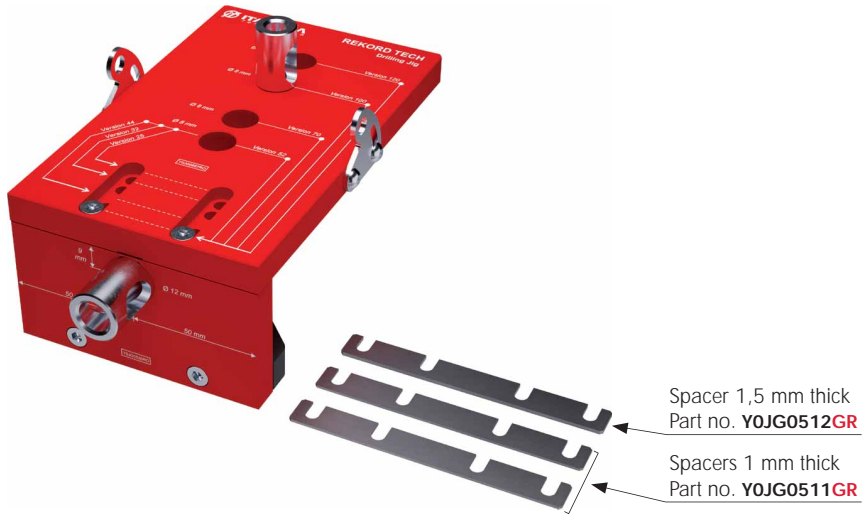


DRILLING SPACERS FOR OTHER PANEL THICKNESSES





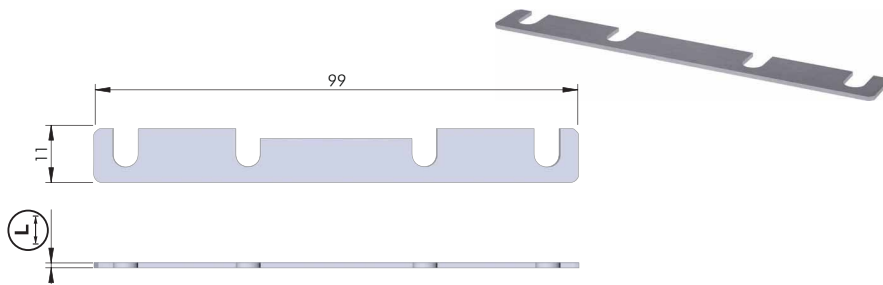
REKORD TECH DRILLING JIG FOR PANEL THICKNESS 18 - 25 mm



AL	ST	EP	= on request
YOJG0122RO			

NOTE: The product code includes all the components shown in the picture.

REKORD 12 DRILLING JIG ACCESSORIES



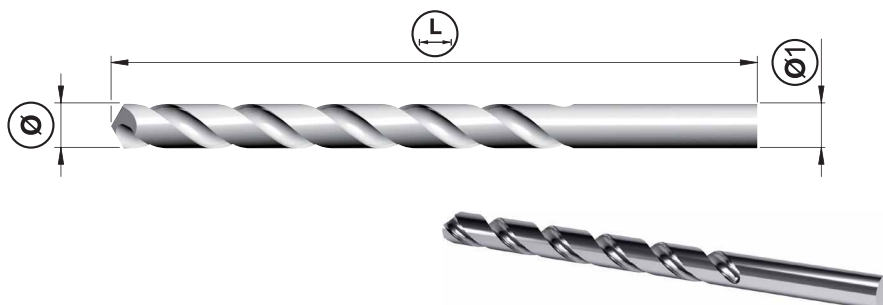
AL	= on request
YOJG0511GR	1
YOJG0512GR	1,5

DRILLING JIG DEPTH STOP COLLARS



ST	= on request
YOJG051700	$\varnothing 8$
YOJG051900	$\varnothing 12$

DRILL BIT



HSS	= on request		
YOJG052800	$\varnothing 8$	L	$\varnothing 1$
YOJG054700	$\varnothing 12$	205	$\varnothing 10$

NOTE: For drilling jig we recommend to use precision-ground steel drill bit HSS-G.