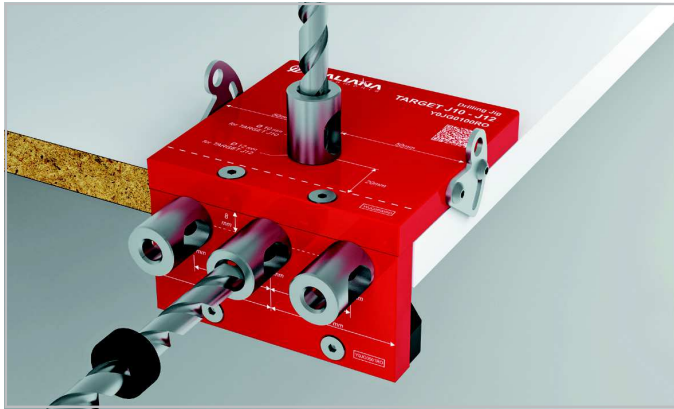


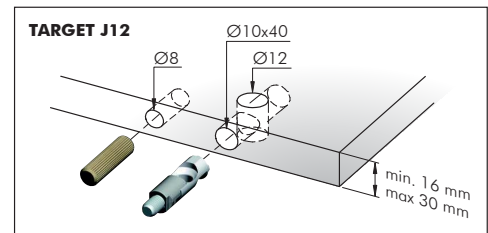
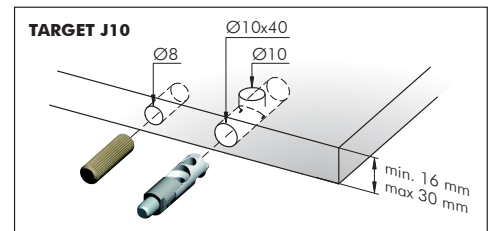
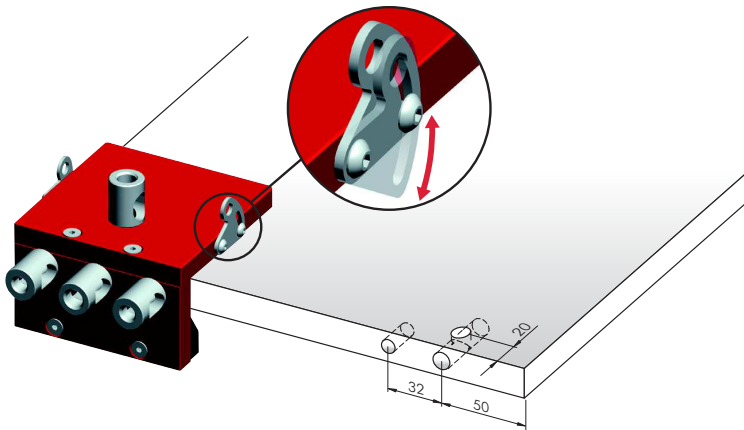


DRILLING JIG TARGET J10-J12

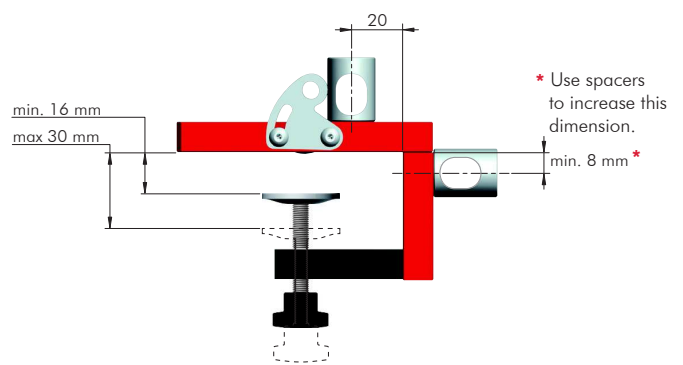
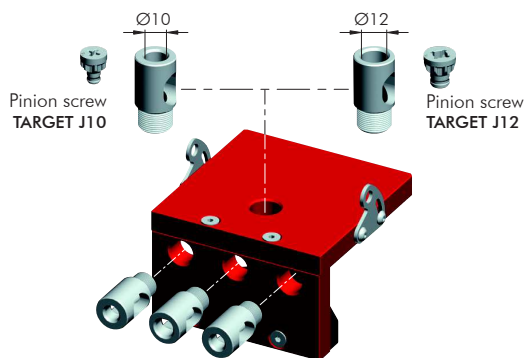


16 - 30 mm 

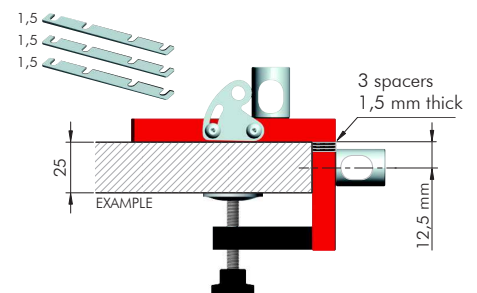
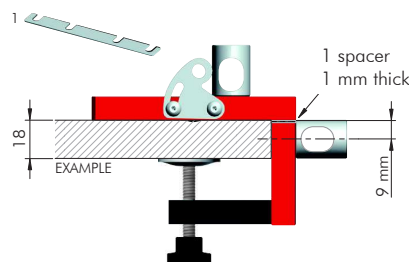
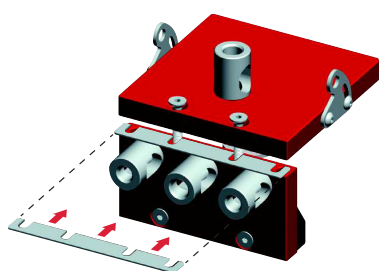
GENERAL SPECIFICATIONS



APPLICATION OPTIONS



DRILLING SPACERS FOR OTHER PANEL THICKNESSES



TARGET J10-J12 DRILLING JIG FOR PANEL THICKNESS 16 AND 18 mm

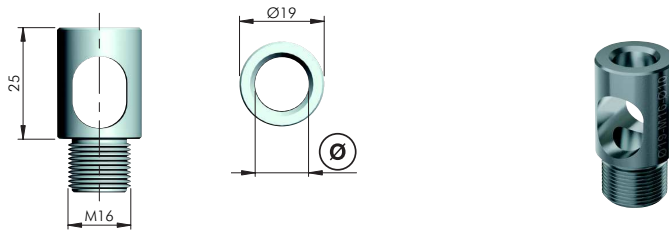


| | | | |
|-------------------|----|----|--------------|
| AL | ST | EP | = on request |
| | | | |
| Y0JG0100RO | | | |

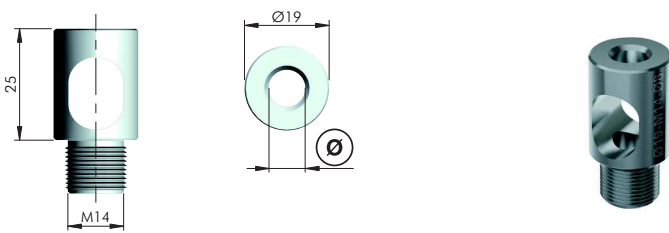
NOTE: The product code includes all the components shown in the picture.

4

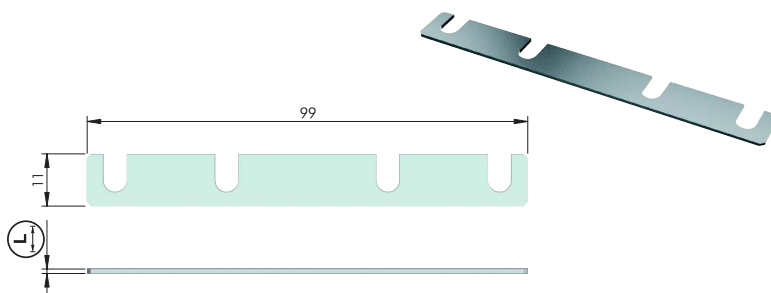
TARGET J10-J12 DRILLING JIG ACCESSORIES



| | | | |
|-------------------|--|-----|--------------|
| = M16 | | | = on request |
| ST | | | |
| | | | |
| Y0JG0507ZN | | Ø10 | |
| Y0JG0508ZN | | Ø12 | |



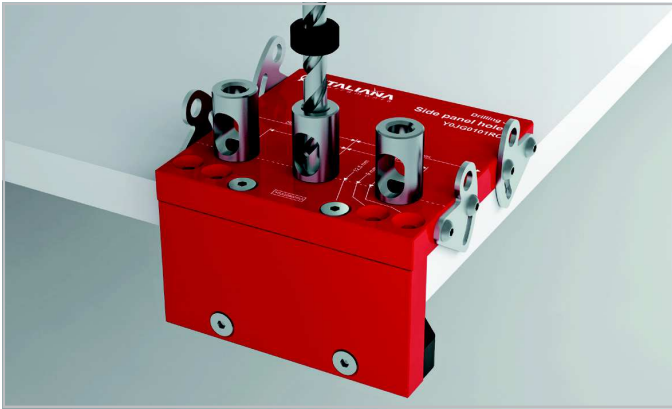
| | | | |
|-------------------|--|-----|--------------|
| = M14 | | | = on request |
| ST | | | |
| | | | |
| Y0JG0505ZN | | Ø8 | |
| Y0JG0506ZN | | Ø10 | |



| | | | |
|-------------------|--|-----|--------------|
| AL | | | = on request |
| | | | |
| Y0JG0511GR | | 1 | |
| Y0JG0512GR | | 1,5 | |

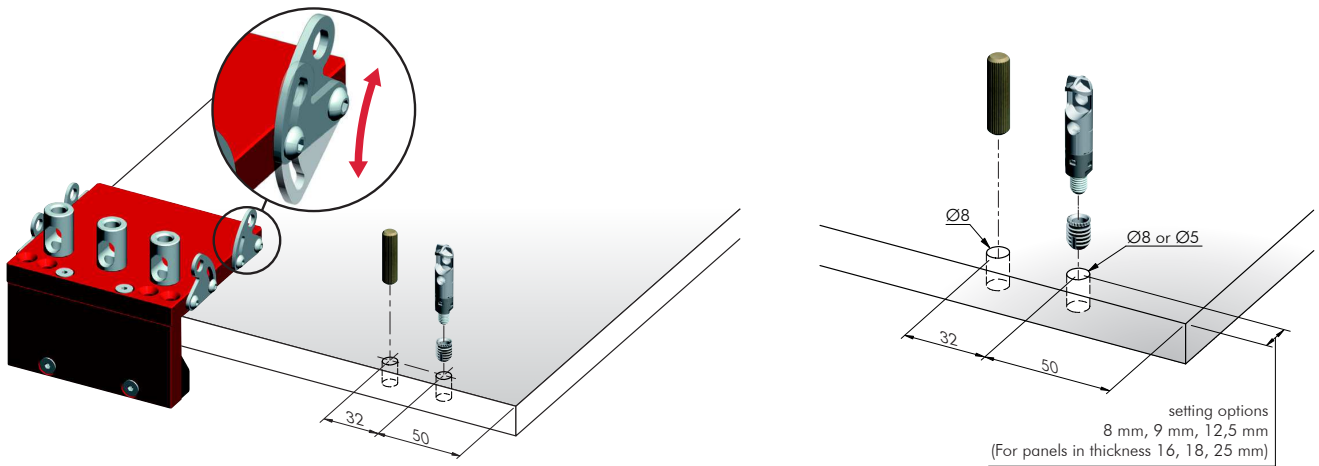


DRILLING JIG FOR SIDE PANELS

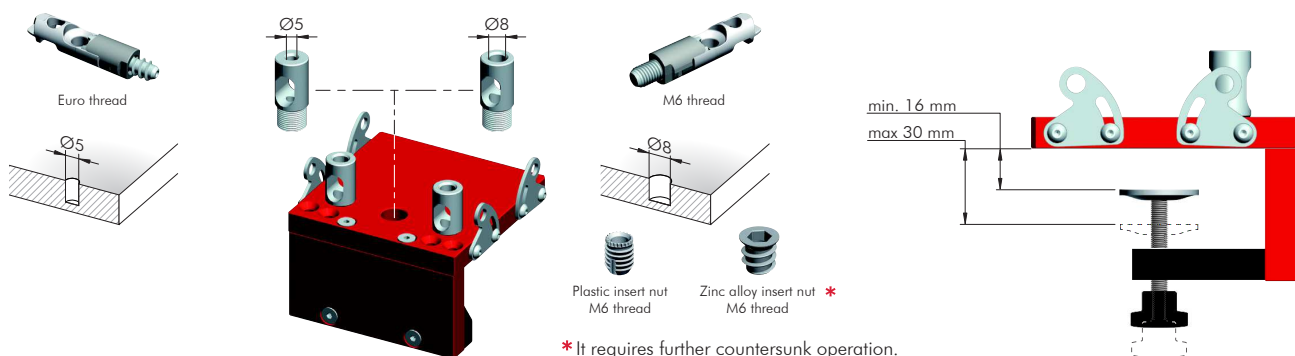
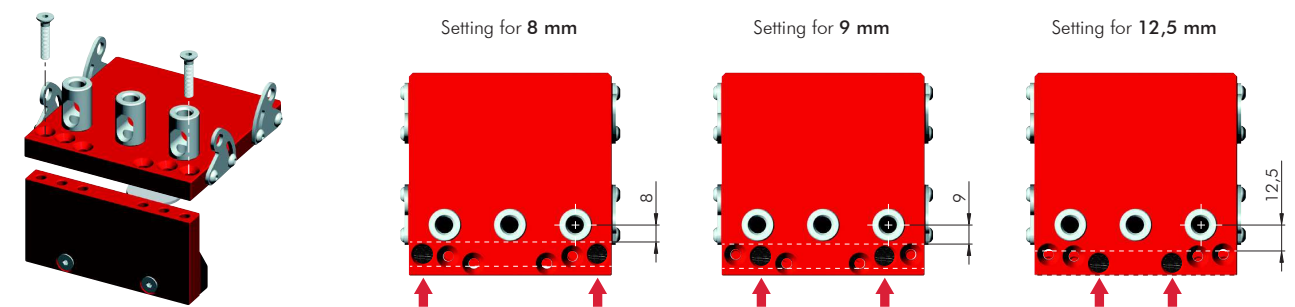


16 - 30 mm 

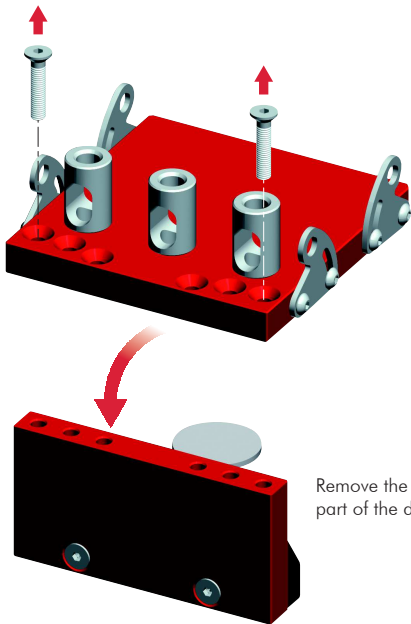
GENERAL SPECIFICATIONS



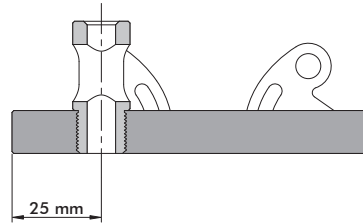
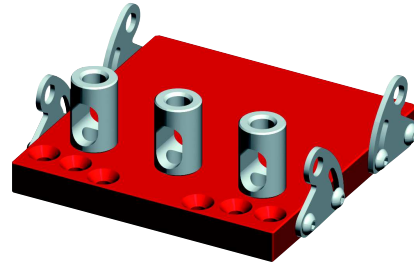
APPLICATION OPTIONS



SETTING FOR ALTERNATIVE POSITIONS OF BOTTOM PANELS AND FIXED SHELVES

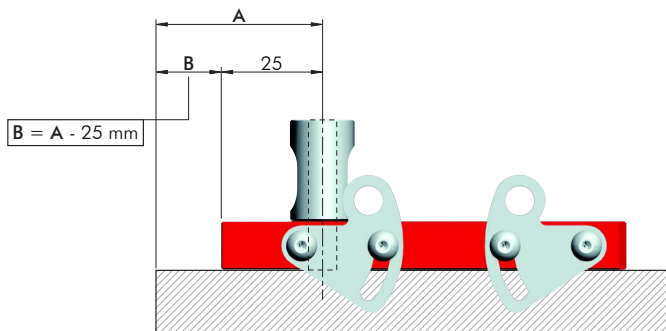
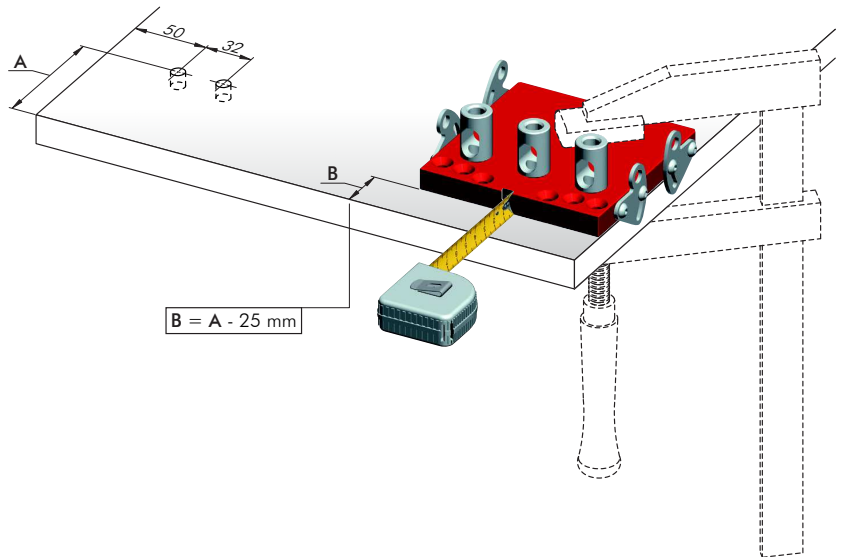
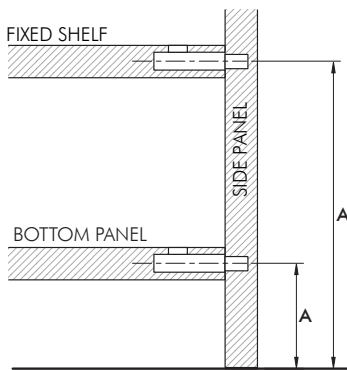


Remove the lower part of the drilling jig.



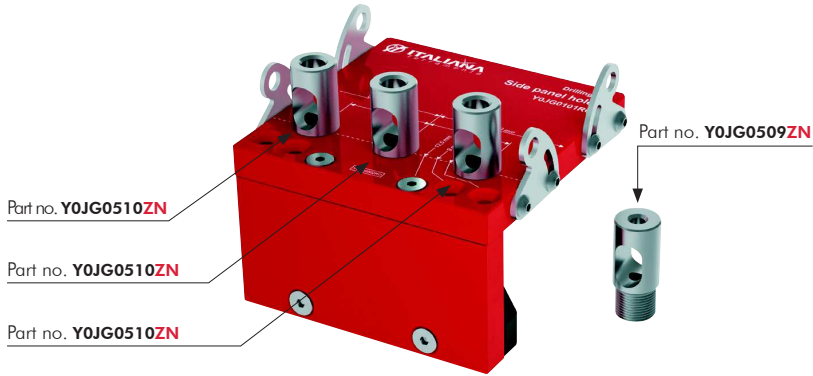
4

DRILLING JIG POSITIONING





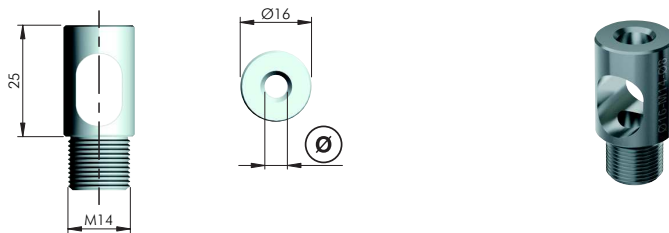
DRILLING JIG FOR SIDE PANELS



| | | | |
|-------------------|----|----|--------------|
| AL | ST | EP | = on request |
| | | | |
| Y0JG0101RO | | | |

NOTE: The product code includes all the components shown in the picture.

DRILLING JIG FOR SIDE PANELS ACCESSORIES



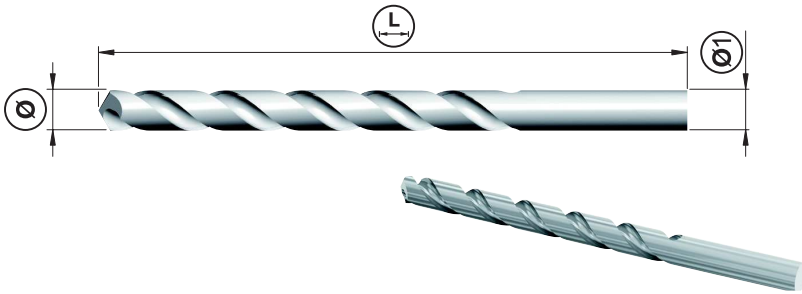
| | | |
|-------------------|--------------|----|
| = M14 | | |
| ST | = on request | |
| | | |
| Y0JG0509ZN | | Ø5 |
| Y0JG0510ZN | | Ø8 |






DRILLING JIG DEPTH STOP COLLARS



| | | |
|-------------------|--------------|-----|
| ST | = on request | |
| | | |
| Y0JG051600 | | Ø5 |
| Y0JG051700 | | Ø8 |
| Y0JG051800 | | Ø10 |
| Y0JG051900 | | Ø12 |

DRILL BITS



| HSS | = on request | | |
|---|---|---|---|
|   |  |  |  |
| Y0JG052700 | Ø5 | 86 | Ø5 |
| Y0JG052800 | Ø8 | 117 | Ø8 |
| Y0JG052900 | Ø10 | 133 | Ø10 |
| Y0JG053000 | Ø12 | 150 | Ø10 |

NOTE: For drilling jig we recommend to use precision-ground steel drill bit HSS-G.