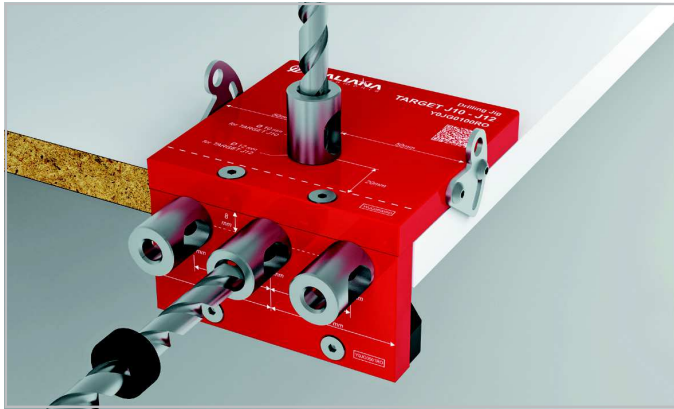


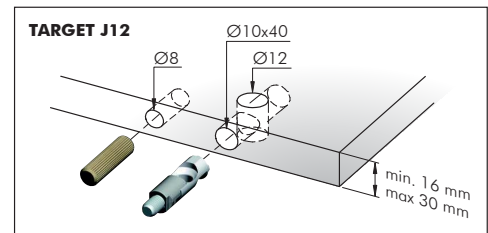
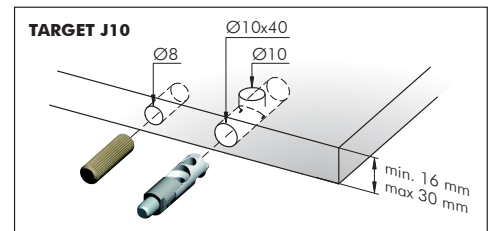
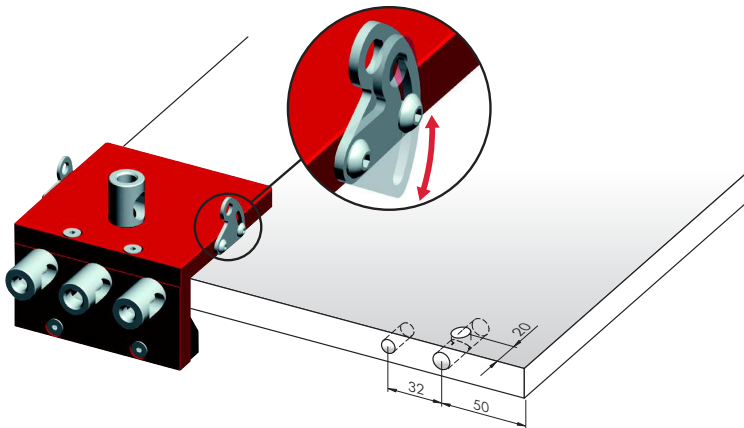


DRILLING JIG TARGET J10-J12

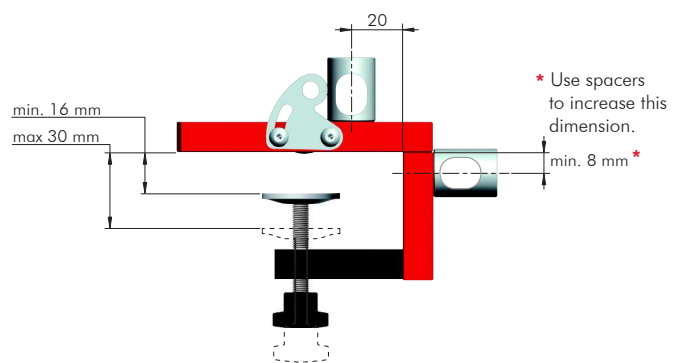
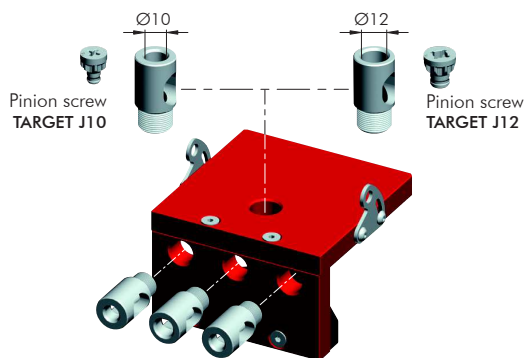


16 - 30 mm 

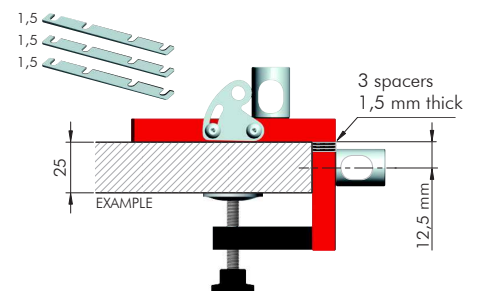
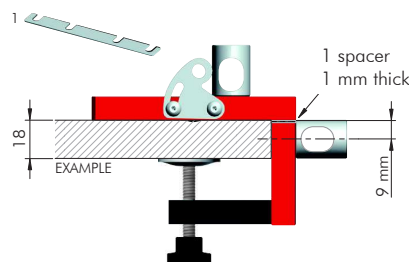
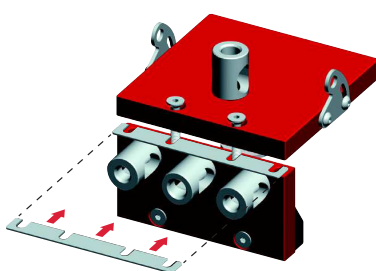
GENERAL SPECIFICATIONS



APPLICATION OPTIONS



DRILLING SPACERS FOR OTHER PANEL THICKNESSES



TARGET J10-J12 DRILLING JIG FOR PANEL THICKNESS 16 AND 18 mm

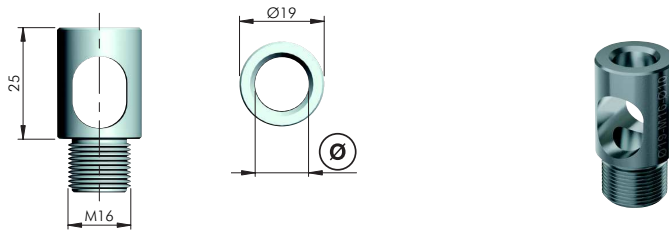


AL	ST	EP	= on request
Y0JG0100RO			

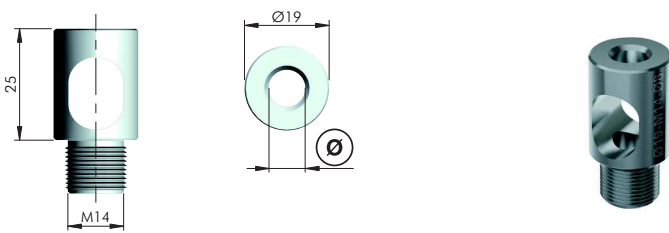
NOTE: The product code includes all the components shown in the picture.

4

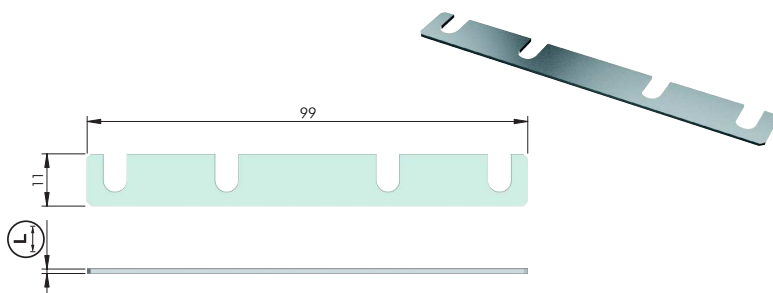
TARGET J10-J12 DRILLING JIG ACCESSORIES



= M16			= on request
ST			
Y0JG0507ZN		Ø10	
Y0JG0508ZN		Ø12	

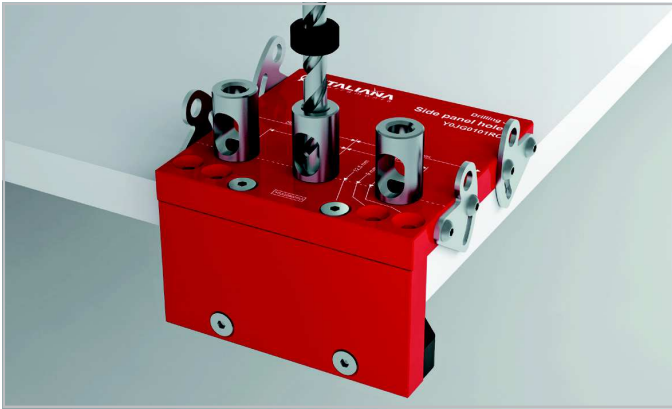


= M14			= on request
ST			
Y0JG0505ZN		Ø8	
Y0JG0506ZN		Ø10	



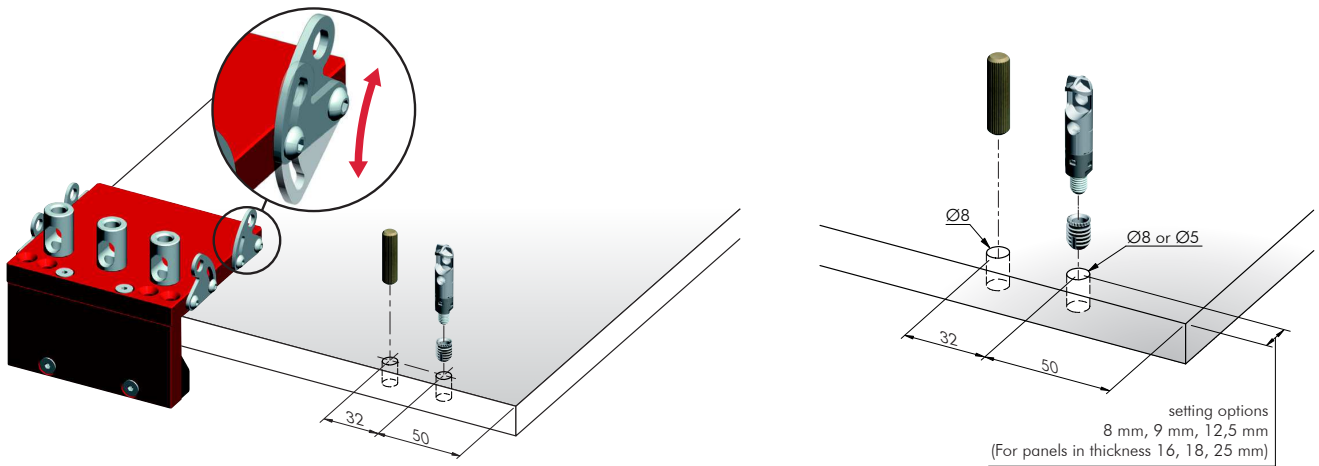
AL			= on request
Y0JG0511GR		1	
Y0JG0512GR		1,5	

DRILLING JIG FOR SIDE PANELS

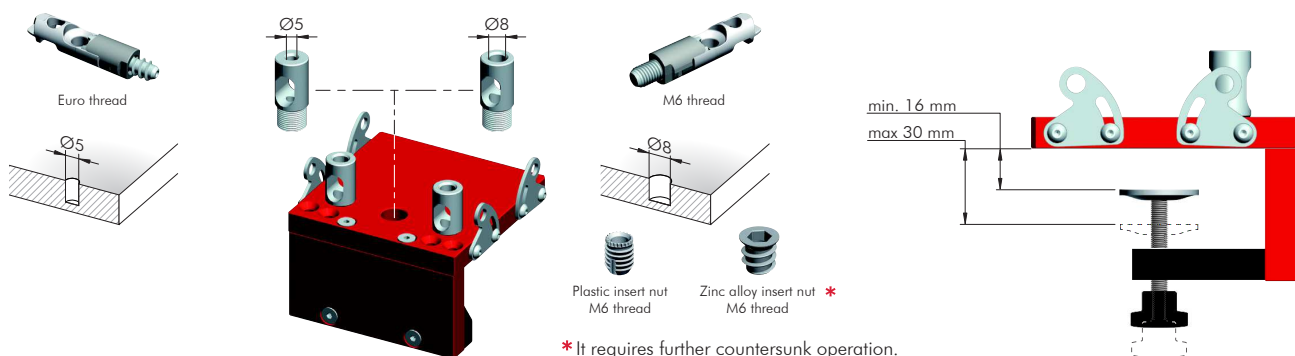
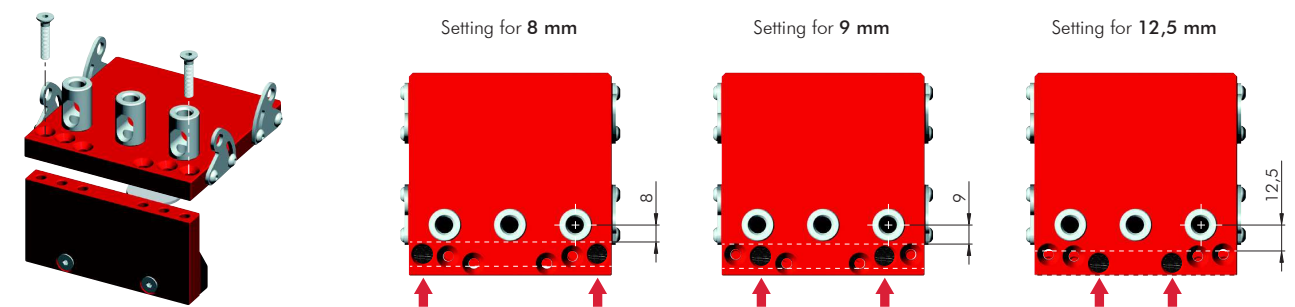


16 - 30 mm 1mm

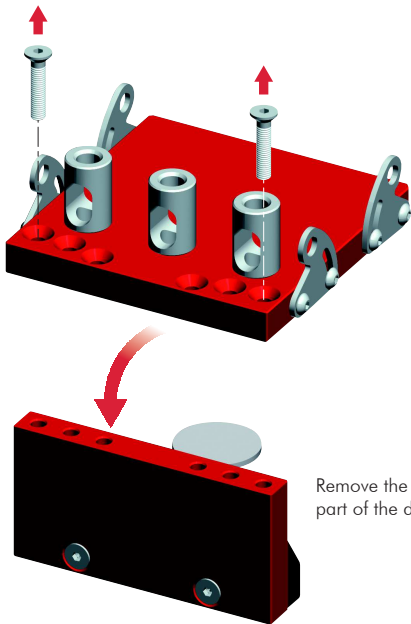
GENERAL SPECIFICATIONS



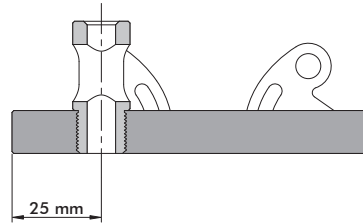
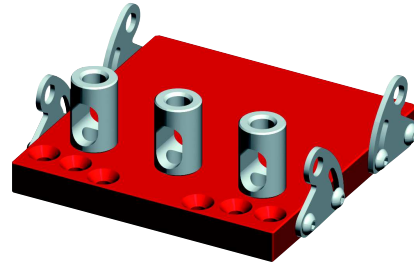
APPLICATION OPTIONS



SETTING FOR ALTERNATIVE POSITIONS OF BOTTOM PANELS AND FIXED SHELVES

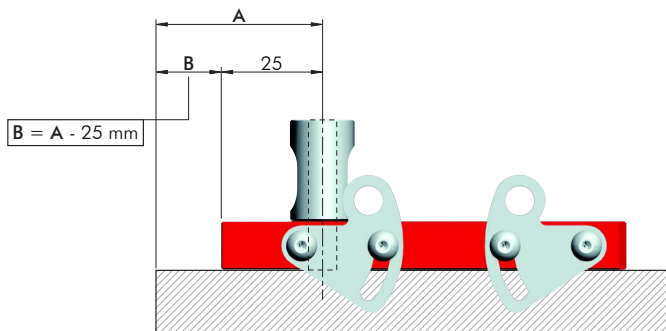
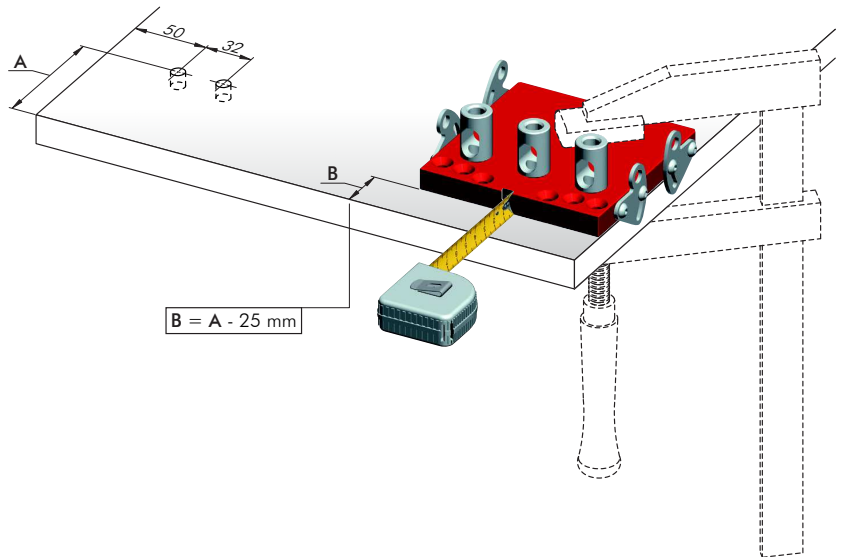
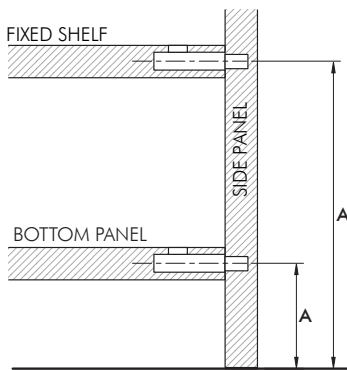


Remove the lower part of the drilling jig.



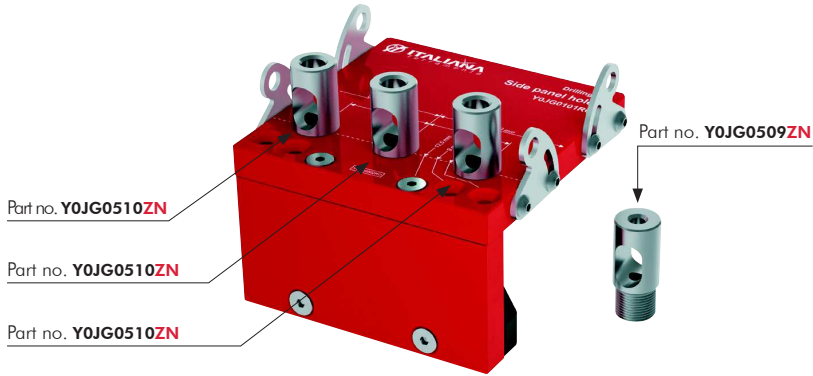
4

DRILLING JIG POSITIONING





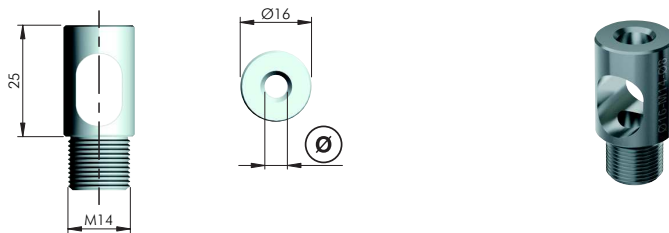
DRILLING JIG FOR SIDE PANELS



AL	ST	EP	= on request
Y0JG0101RO			

NOTE: The product code includes all the components shown in the picture.

DRILLING JIG FOR SIDE PANELS ACCESSORIES



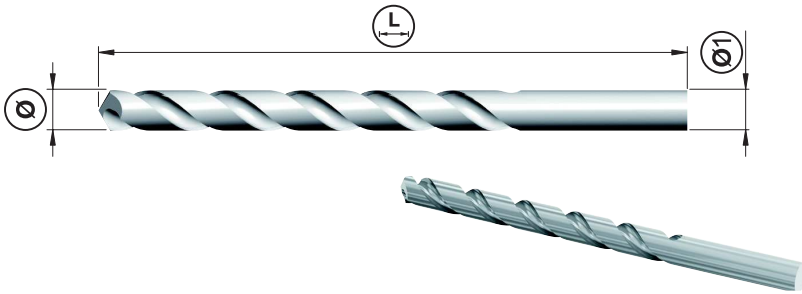
= M14		
ST	= on request	
Y0JG0509ZN		Ø5
Y0JG0510ZN		Ø8






DRILLING JIG DEPTH STOP COLLARS



ST	= on request	
Y0JG051600		Ø5
Y0JG051700		Ø8
Y0JG051800		Ø10
Y0JG051900		Ø12

DRILL BITS



HSS	= on request		
 			
Y0JG052700	Ø5	86	Ø5
Y0JG052800	Ø8	117	Ø8
Y0JG052900	Ø10	133	Ø10
Y0JG053000	Ø12	150	Ø10

NOTE: For drilling jig we recommend to use precision-ground steel drill bit HSS-G.