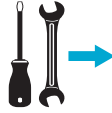




www.abloy.com/dop

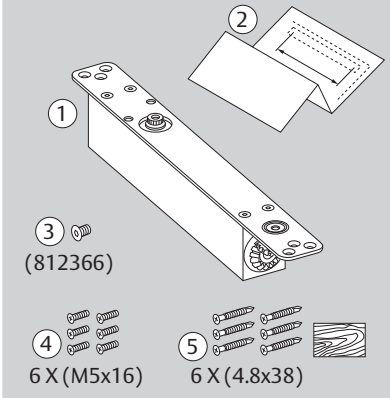


DoP

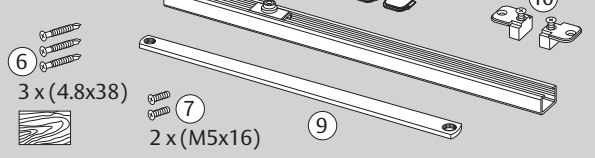


www.abloy.com/dop

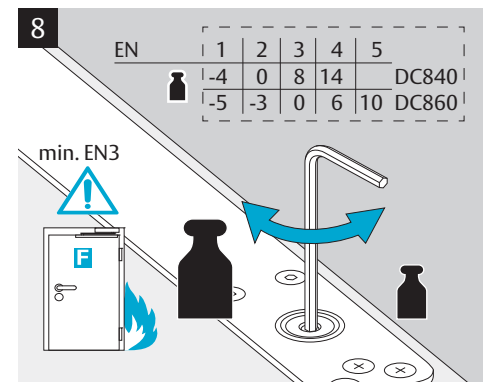
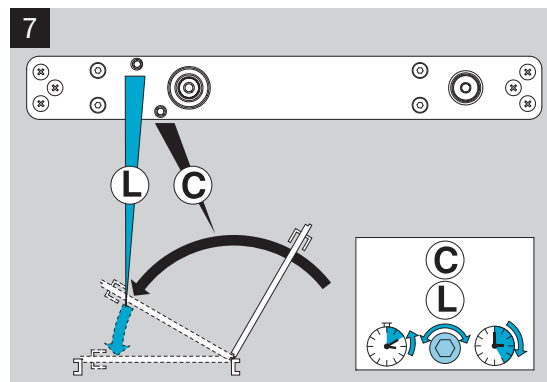
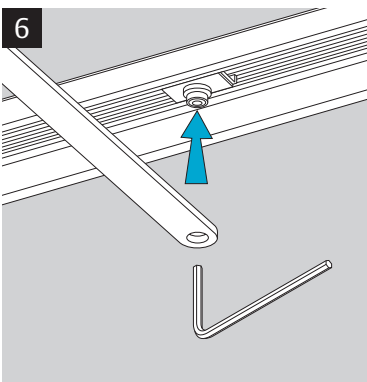
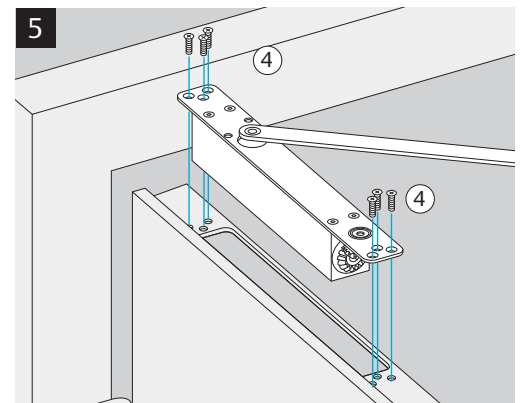
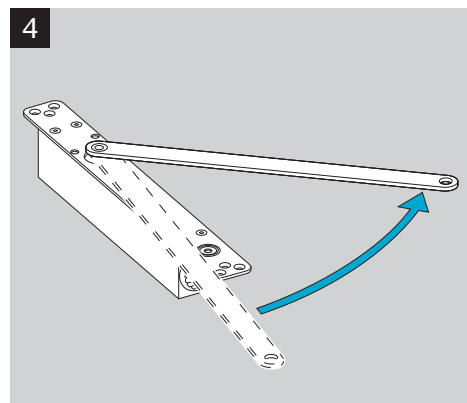
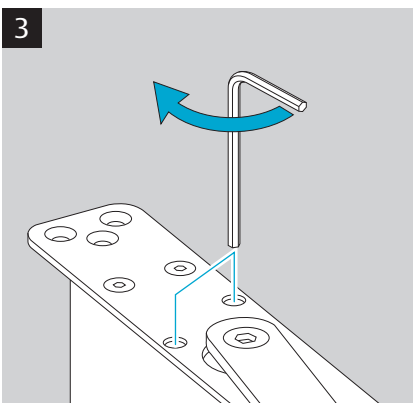
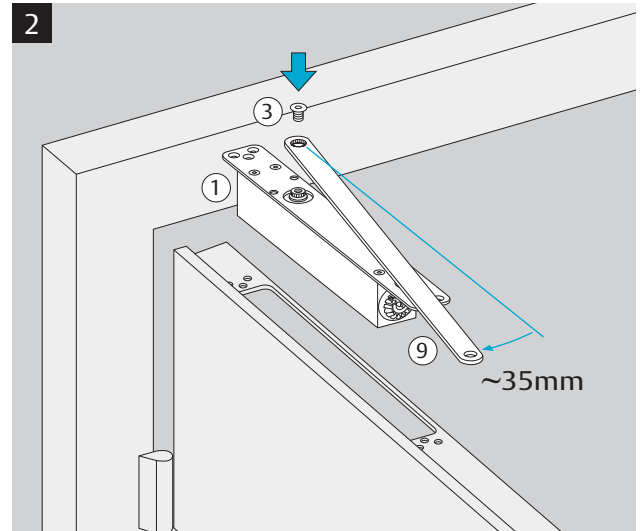
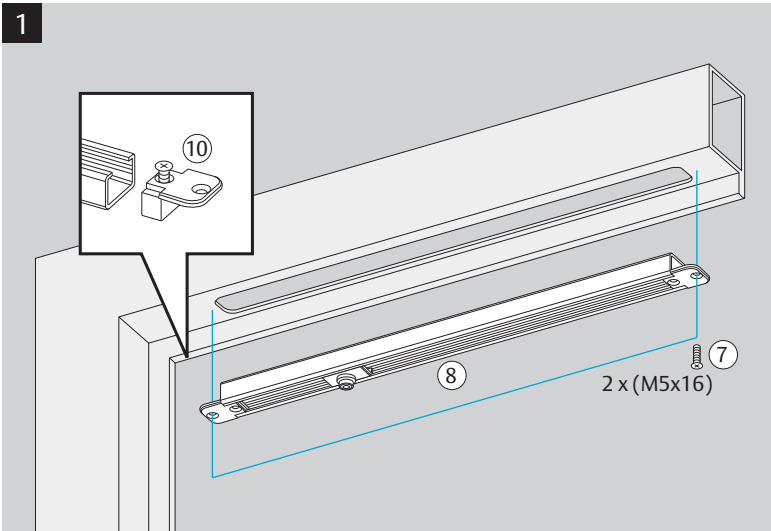
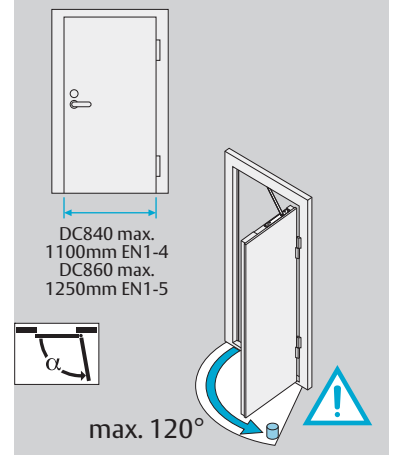
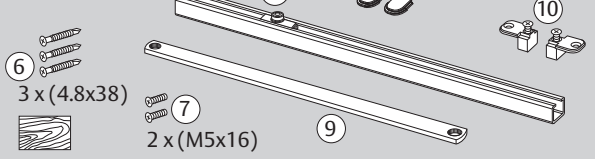
## DC860/ DC840

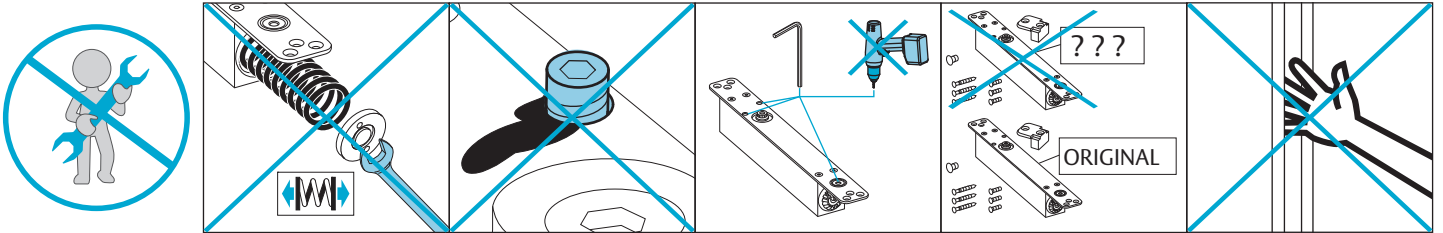
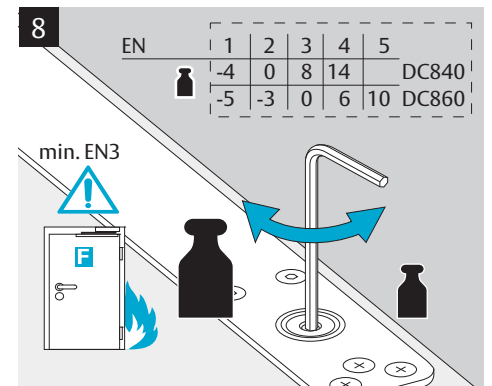
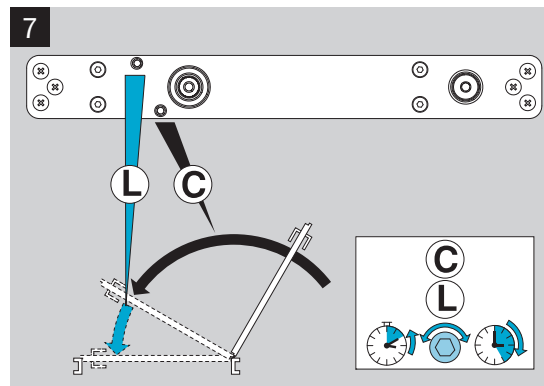
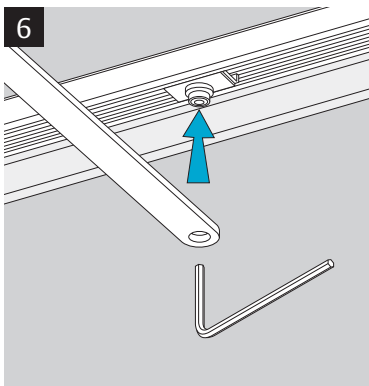
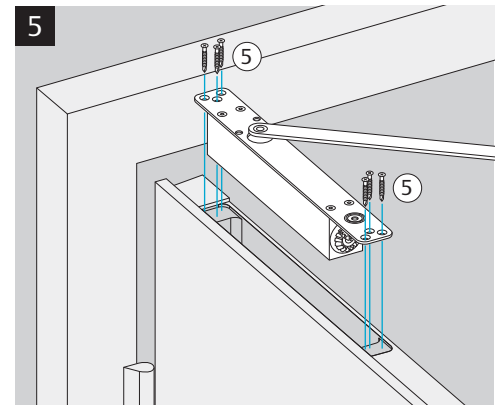
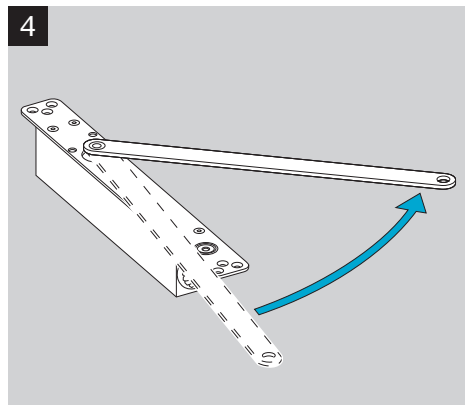
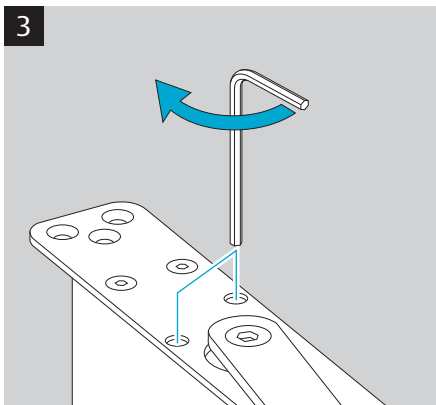
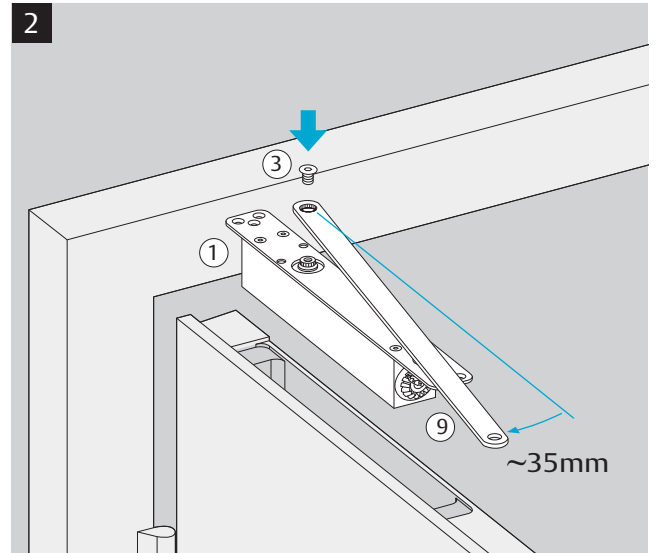
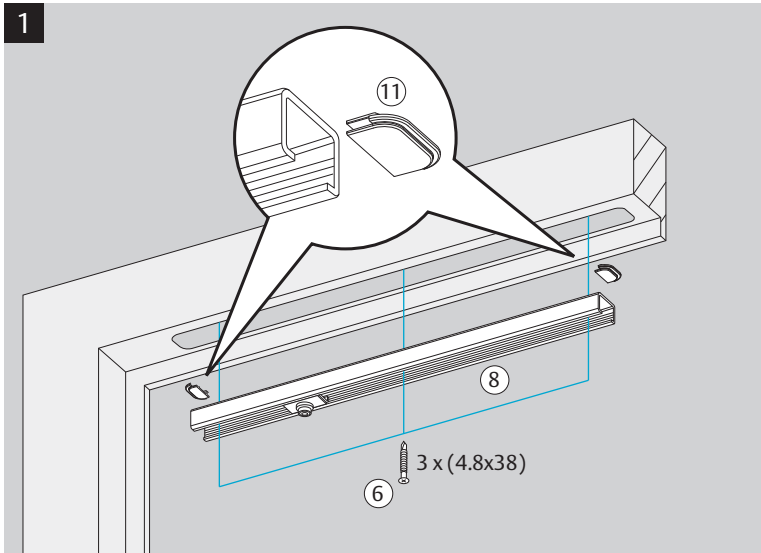


## G893



## G892





DC840 + G892(G893)

<b>CE</b>	Abloy Oy, PO Box 108 80101 Joensuu Finland		11
	EN 1154:1996/A1:2002/AC:2006 <b>0432-CPD-0047</b>		
<b>DC840</b>			3 8 4 1 1 3
Dangerous substances: None			

DC860 + G892(G893)

<b>CE</b>	Abloy Oy, PO Box 108 80101 Joensuu Finland		09
	EN 1154:1996/A1:2002/AC:2006 <b>0432-CPD-0047</b>		
<b>DC860</b>			3 8 5 1 1 2
Dangerous substances: None			

**ASSA ABLOY**

Abloy Oy  
P.O.Box 108  
80101 Joensuu  
FINLAND  
Tel.: +358-20 599 2501  
Fax: +358-20 599 2209  
www.assaabloy.com  
www.abloy.com/dop

9313773 10.7.2019