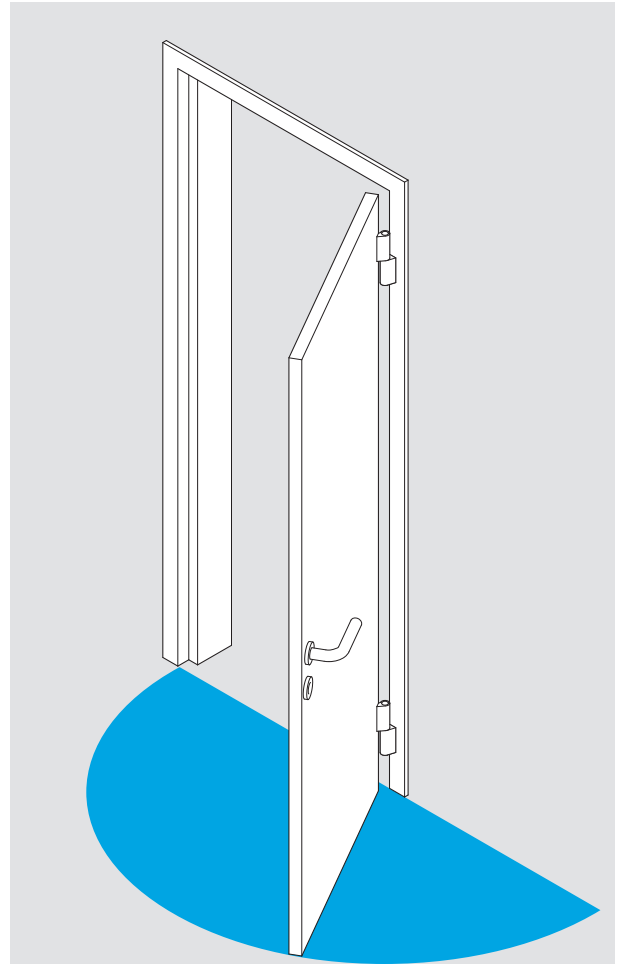


	B
EN2	≤ 850mm
EN3	≤ 950mm
EN4	≤ 1100mm
EN5	≤ 1250mm



max. 180°

max. 125°

EN2

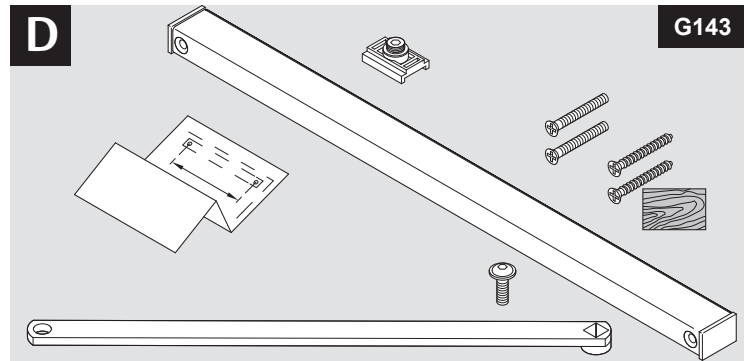
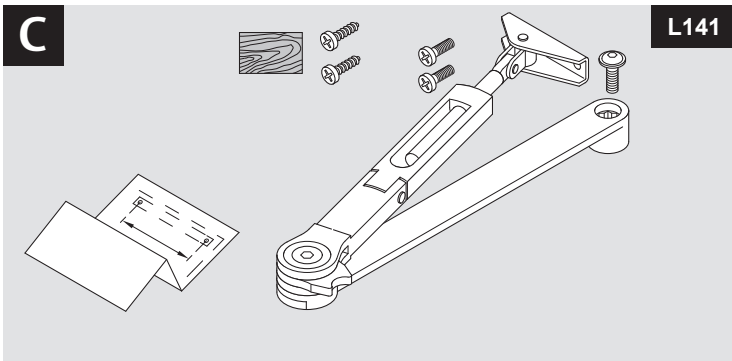
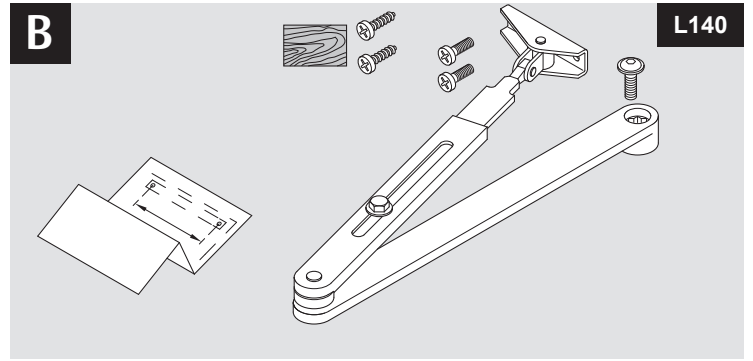
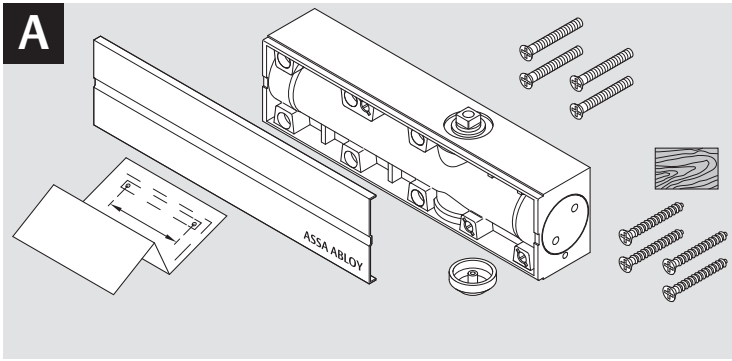
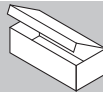
EN5

EN3

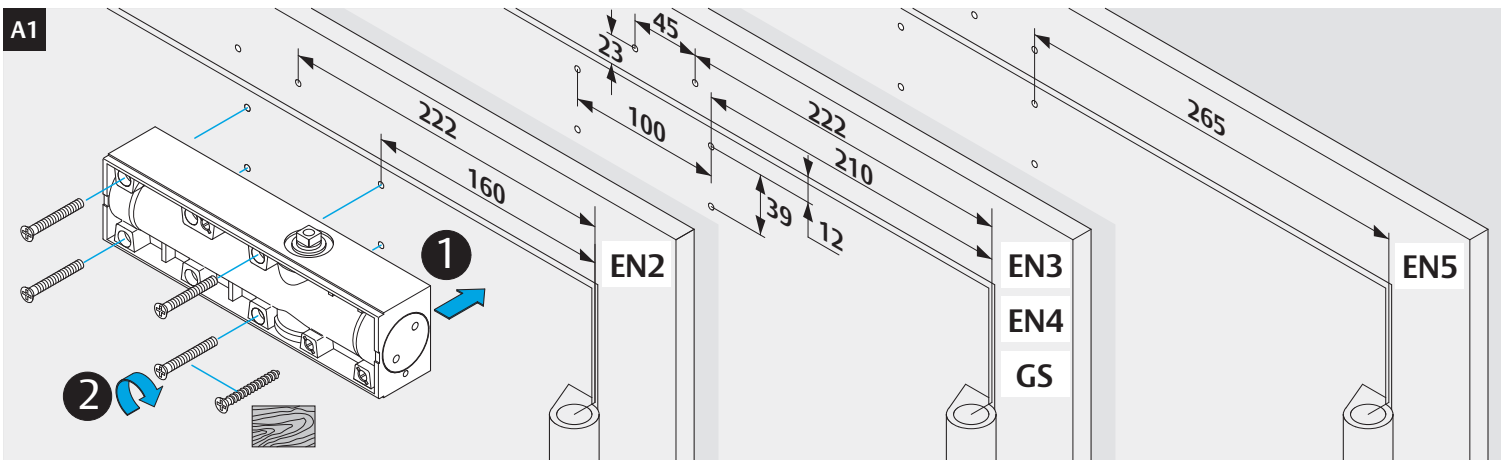
EN4

DC140

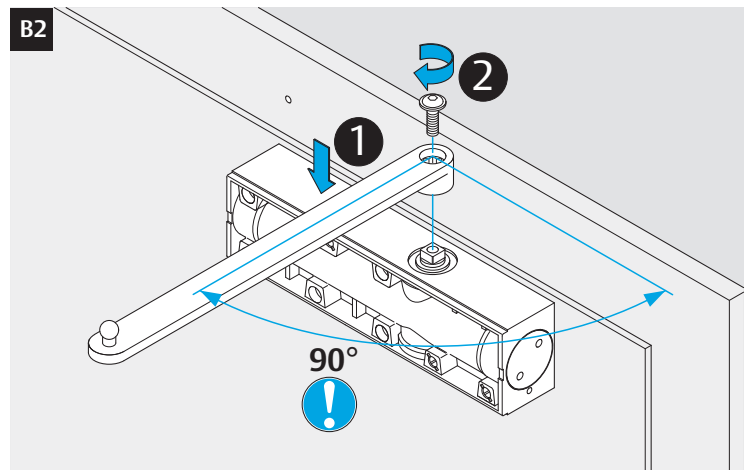
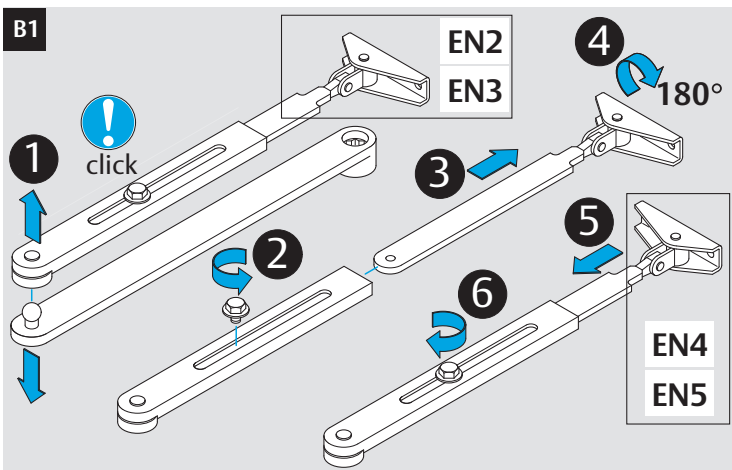
1162-CPD-AD0534	CE ASSA ABLOY Sicherheitstechnik GmbH Bildstockstraße 20 72458 Albstadt	11					
		4	8	$\frac{2}{3}$ $\frac{4}{4}$	1	1	4
		3	8	5	1	1	4
Dangerous substances: none							

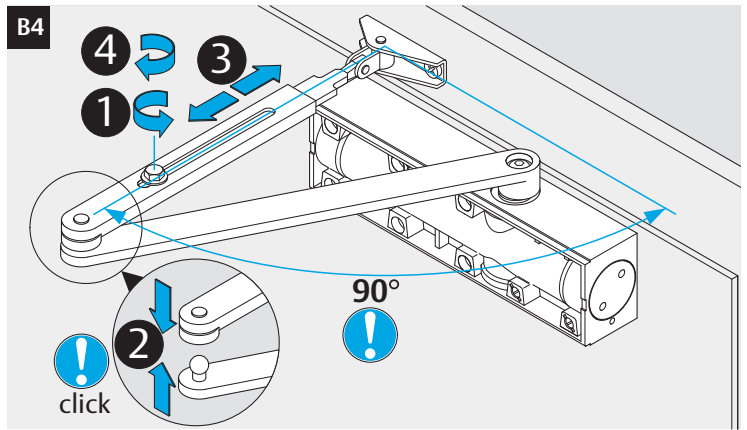
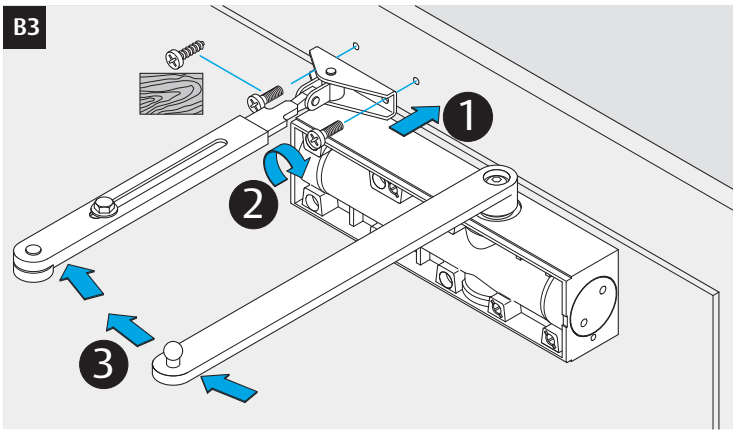
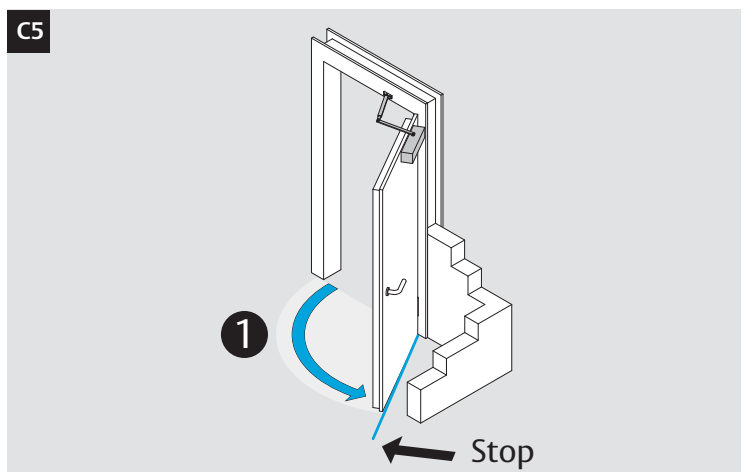
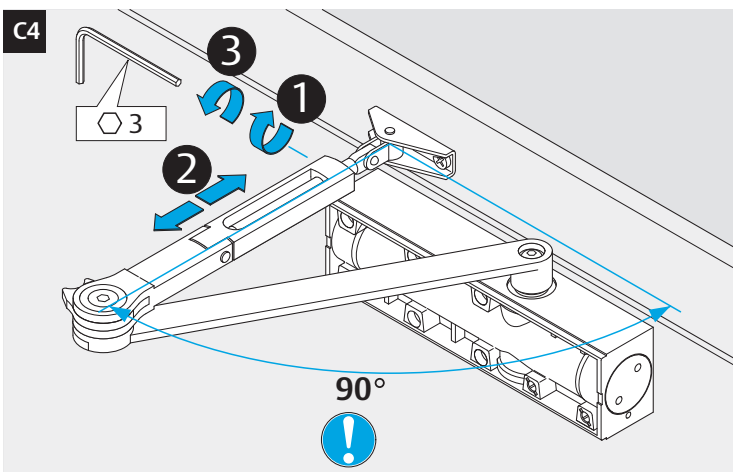
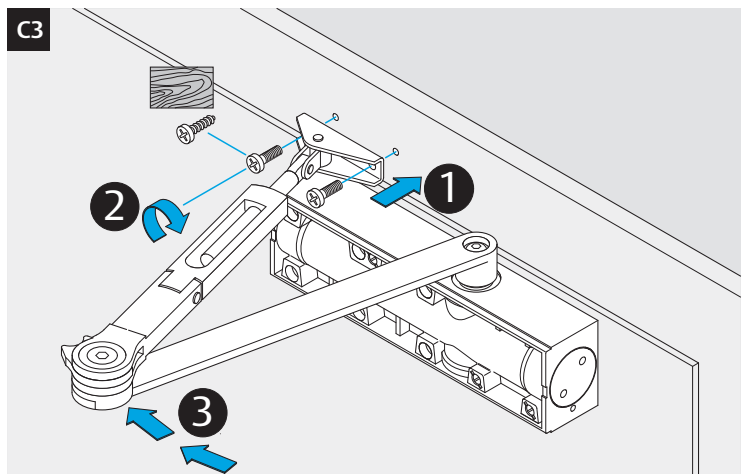
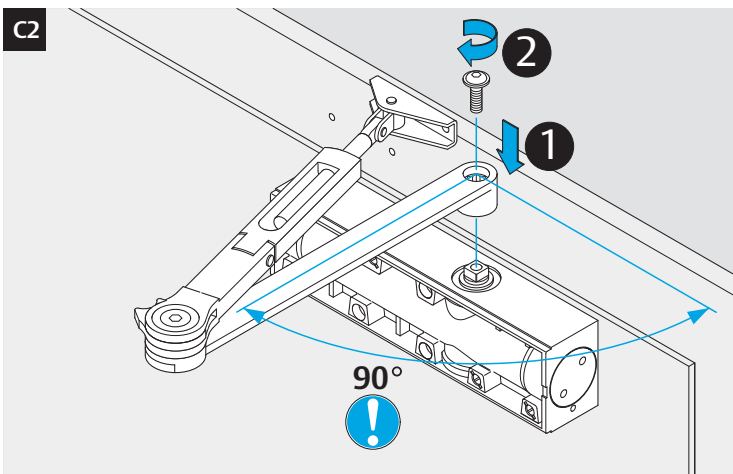
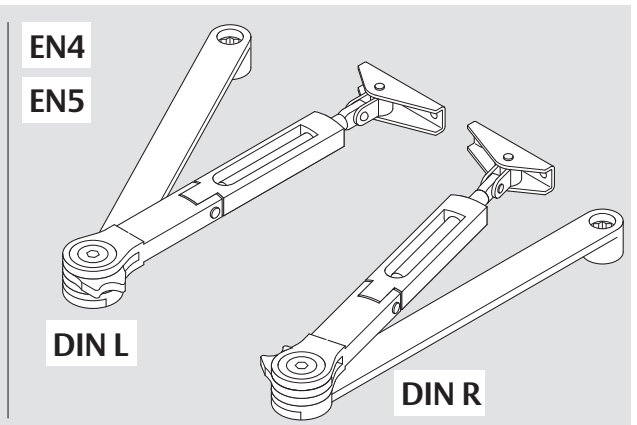
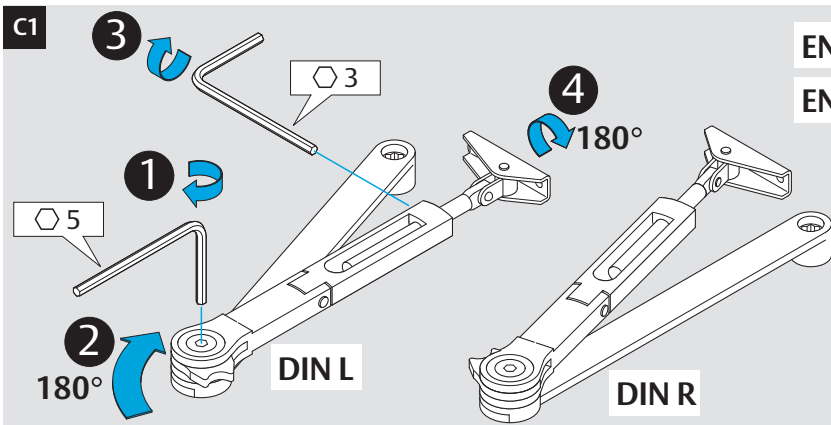


A



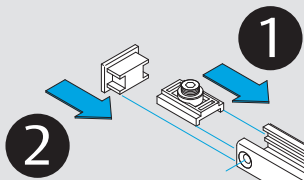
B



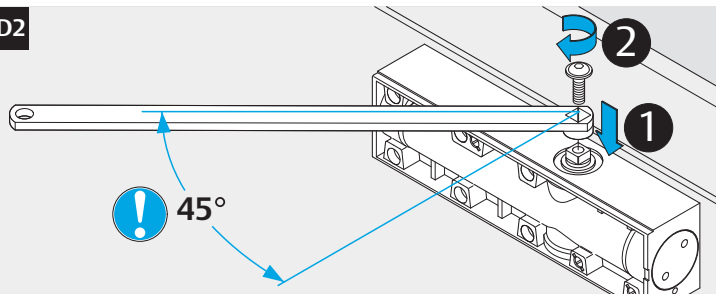
B**C**

D

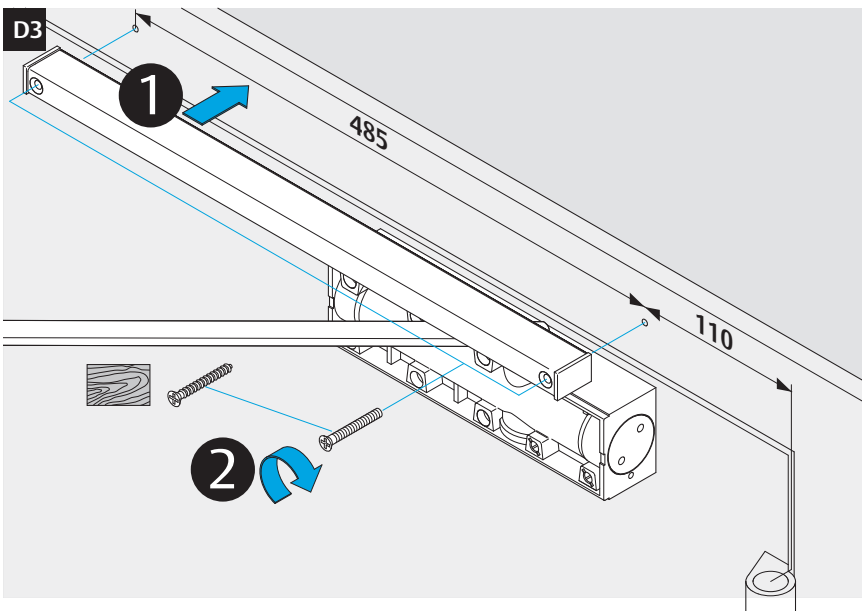
D1



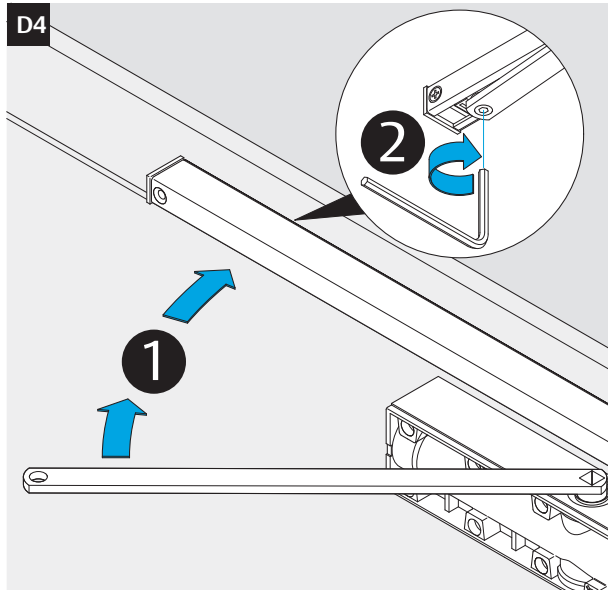
D2



D3

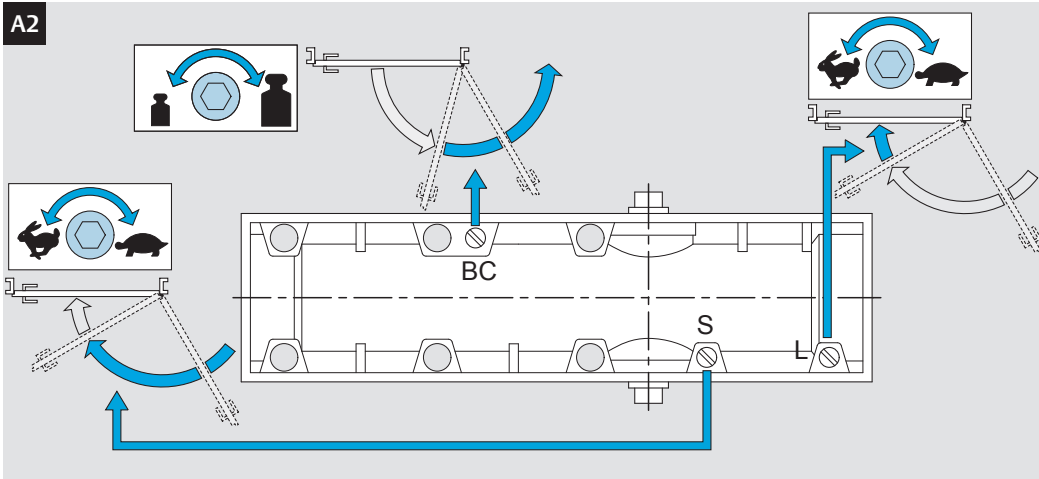


D4



A

A2



A3

