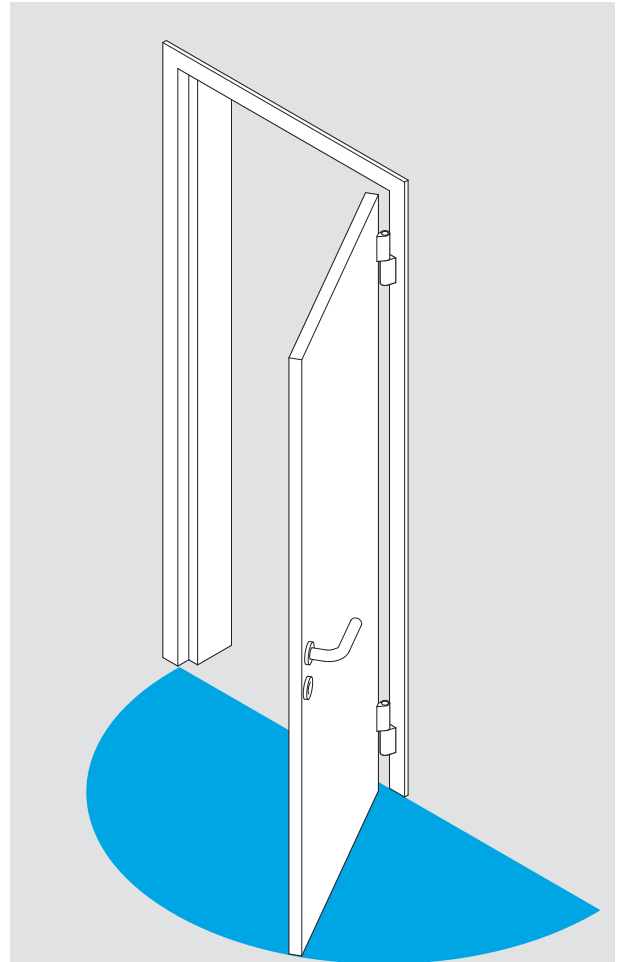


| | B |
|-----|----------|
| EN2 | ≤ 850mm |
| EN3 | ≤ 950mm |
| EN4 | ≤ 1100mm |
| EN5 | ≤ 1250mm |



max. 180°

max. 125°

EN2

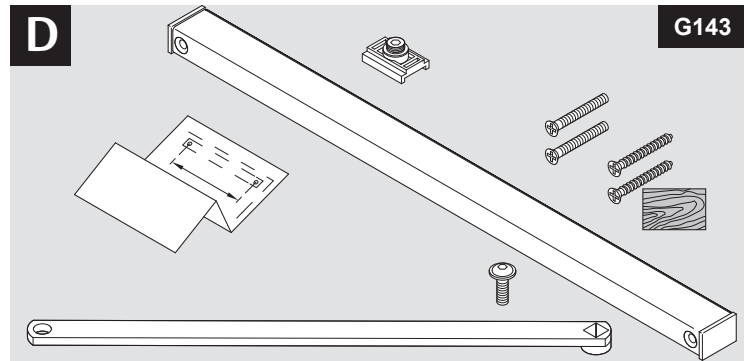
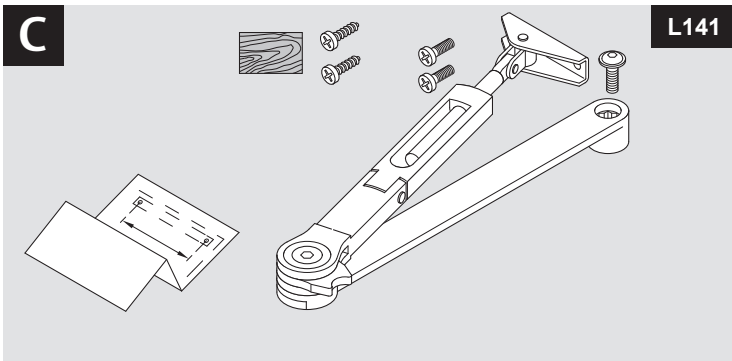
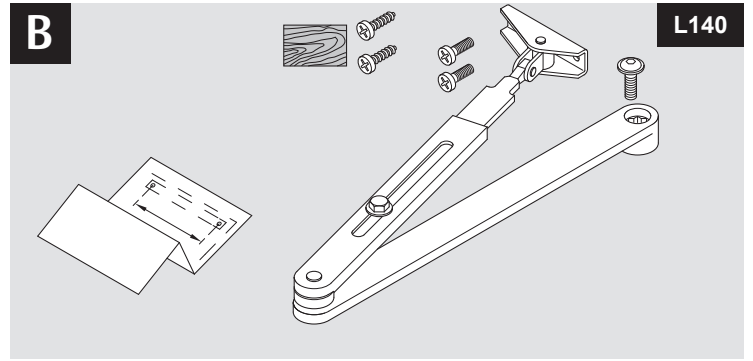
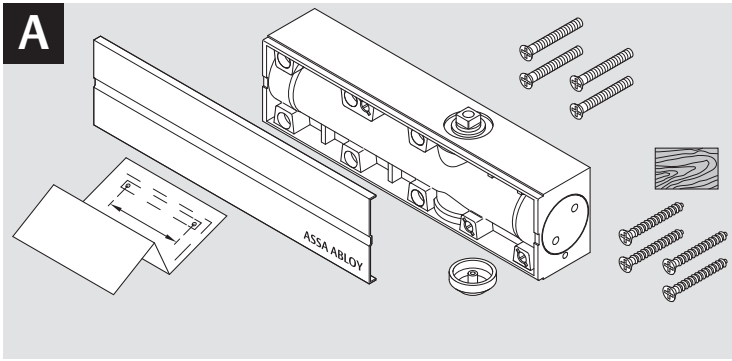
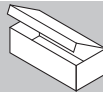
EN5

EN3

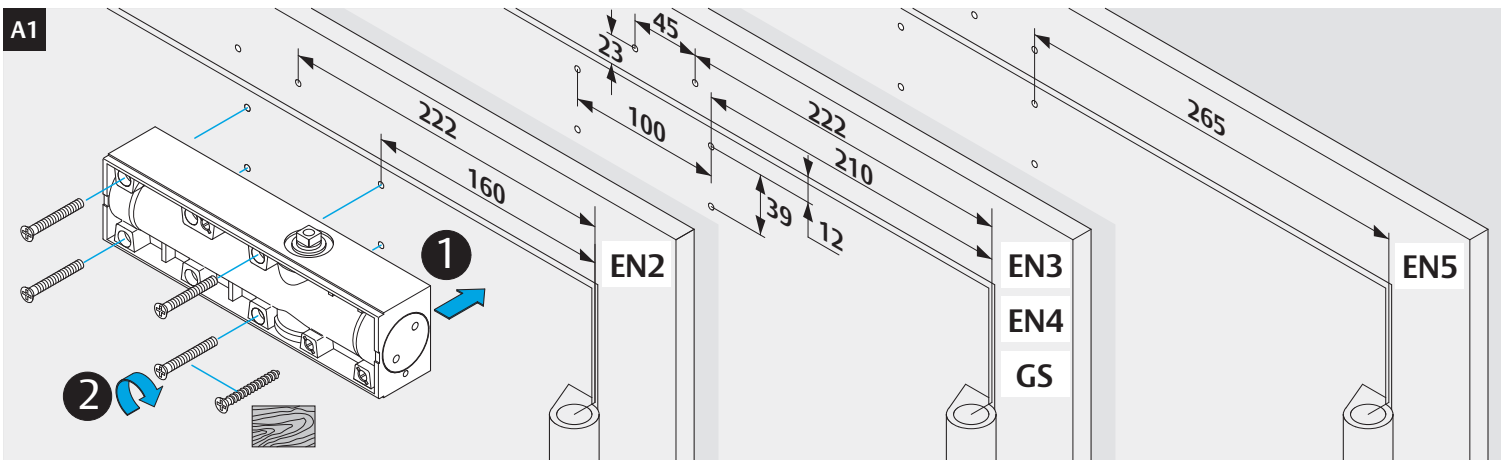
EN4

DC140

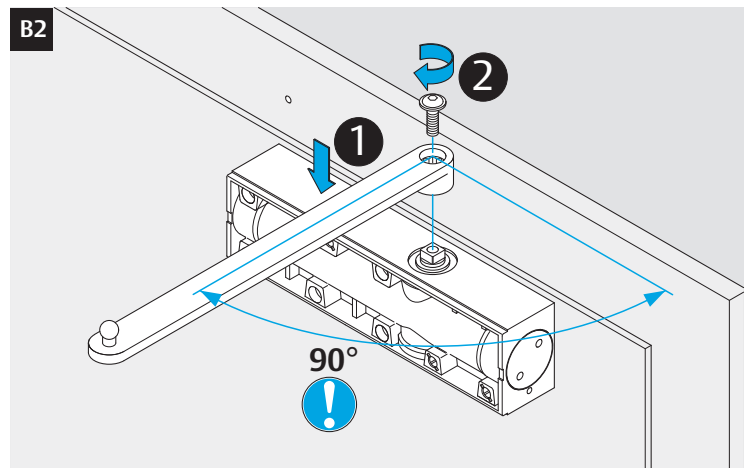
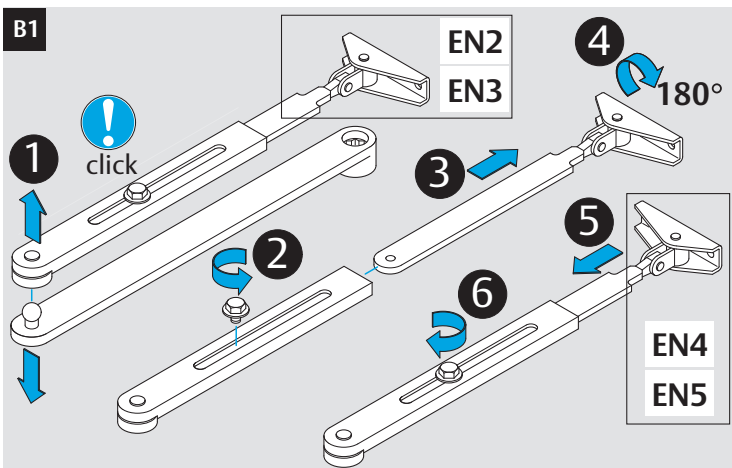
| | | | | | | | |
|----------------------------|--|----|---|--------------------------------|---|---|---|
| 1162-CPD-AD0534 | CE ASSA ABLOY Sicherheitstechnik GmbH Bildstockstraße 20 72458 Albstadt | 11 | | | | | |
| | | 4 | 8 | $\frac{2}{3}$ $\frac{4}{4}$ | 1 | 1 | 4 |
| | | 3 | 8 | 5 | 1 | 1 | 4 |
| Dangerous substances: none | | | | | | | |

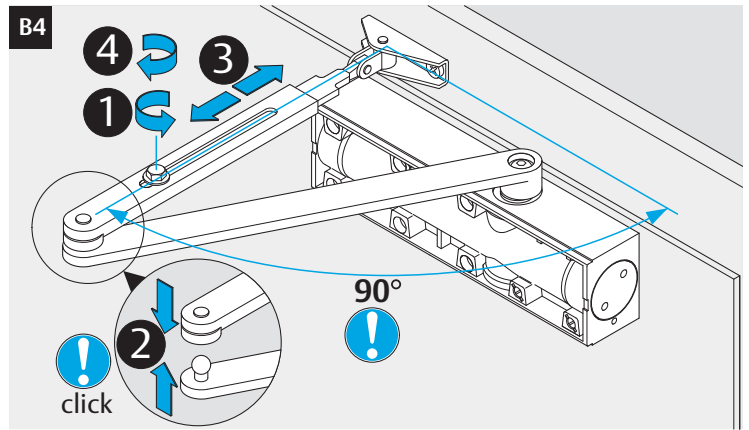
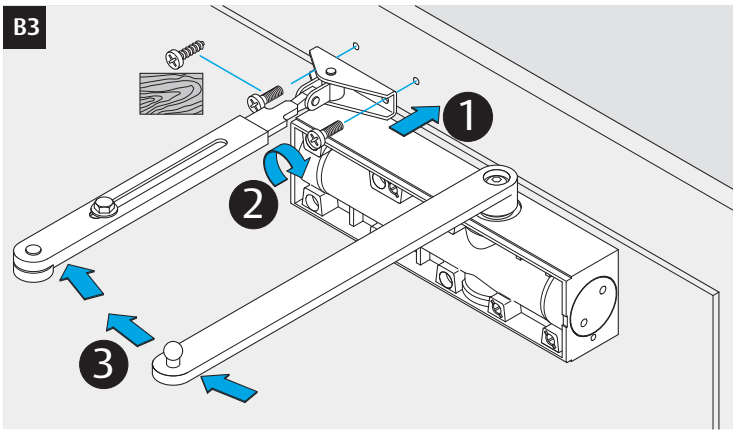
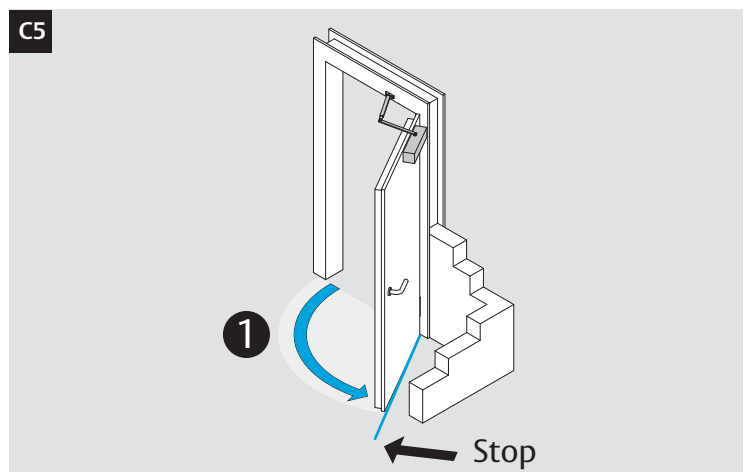
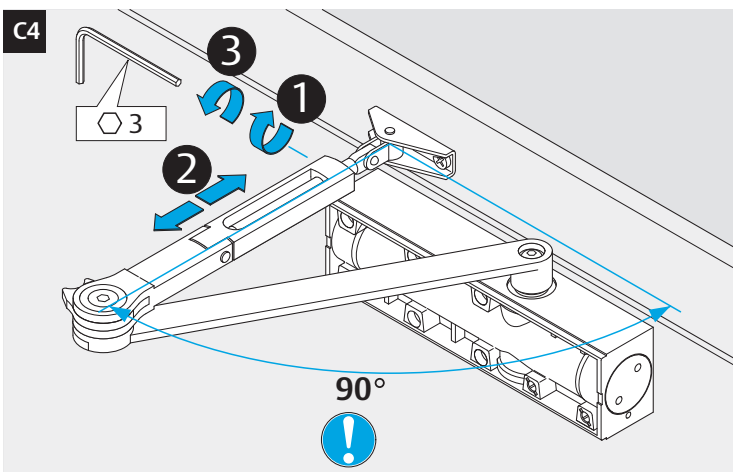
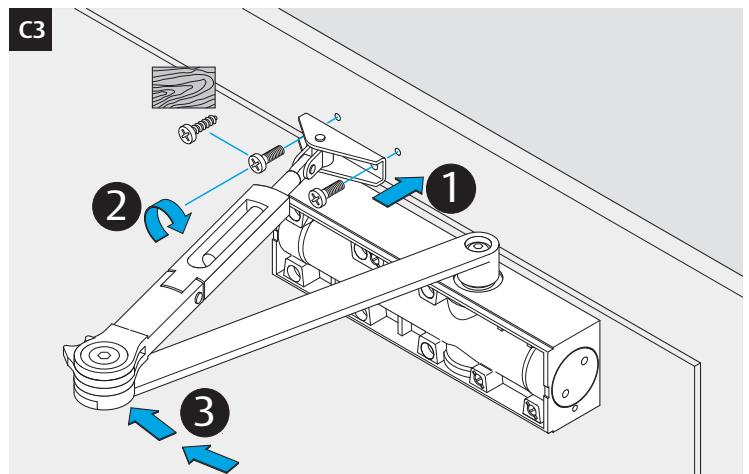
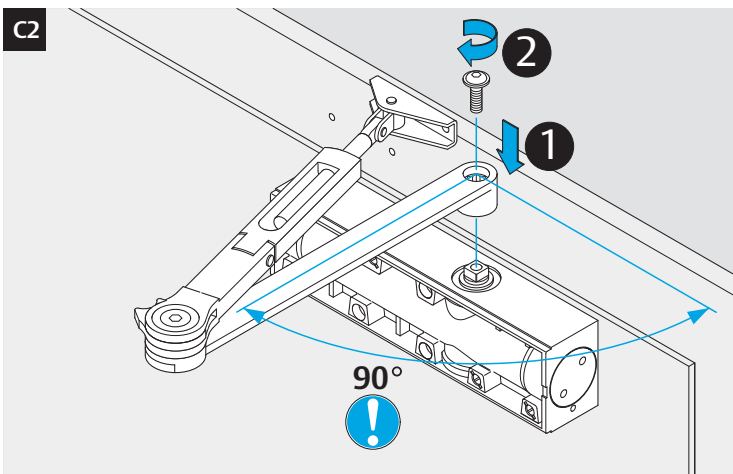
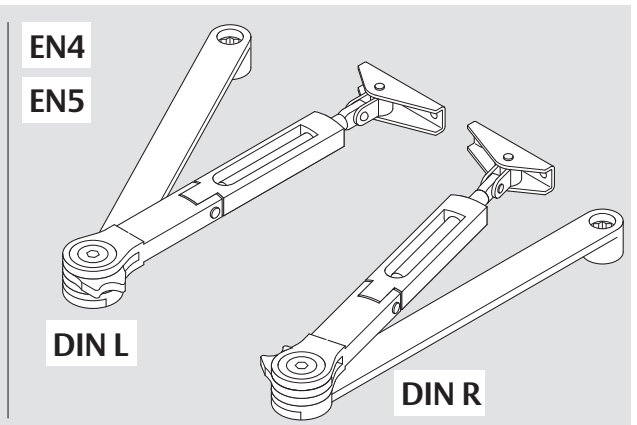
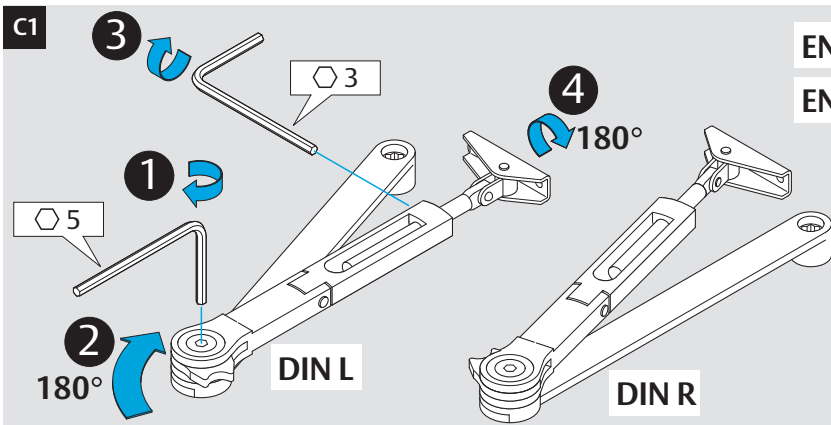


A



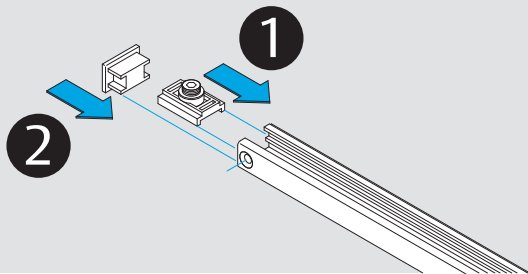
B



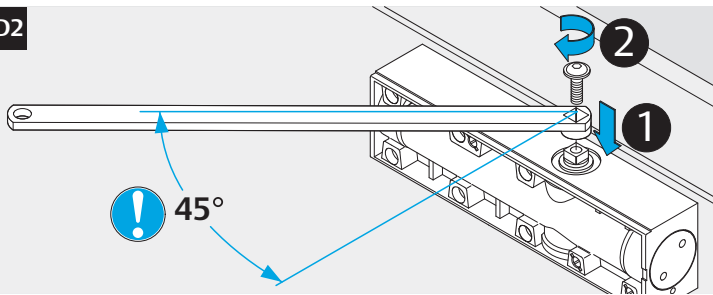
B**C**

D

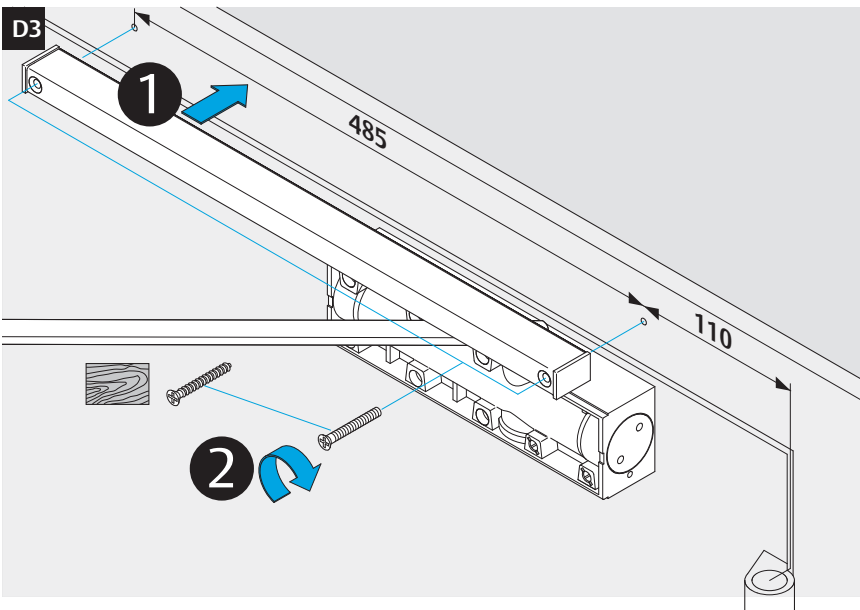
D1



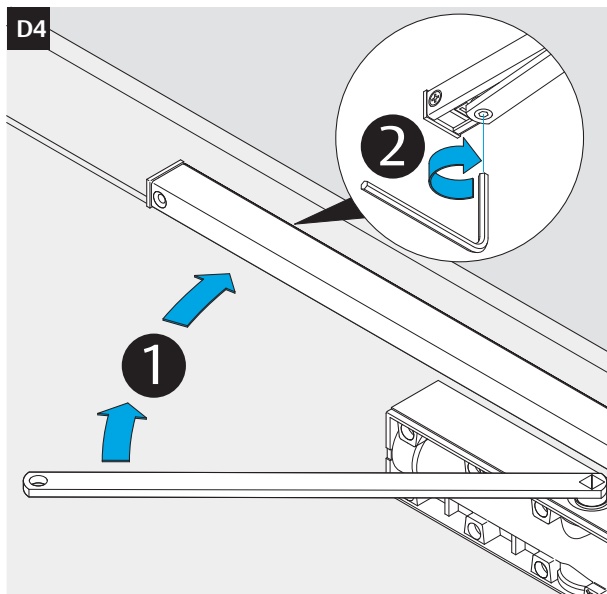
D2



D3

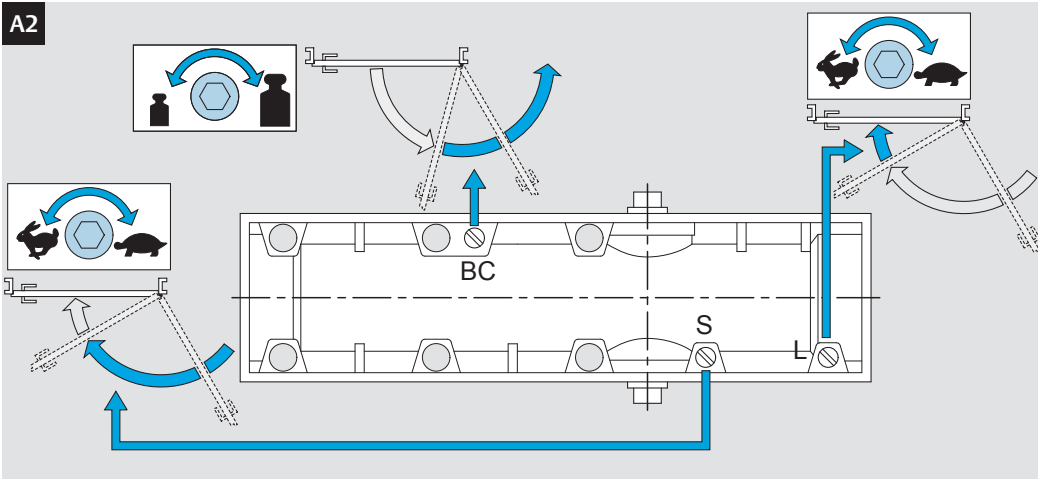


D4



A

A2



A3

