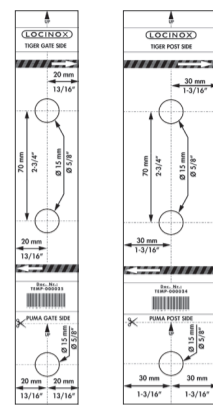
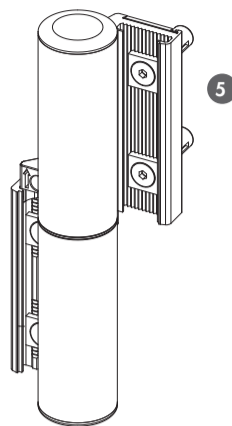
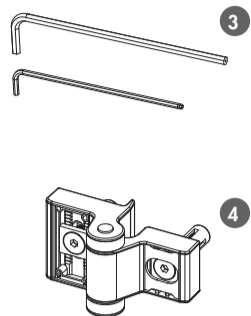
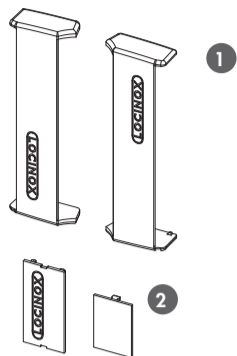


## TIGER: INSTALLATION INSTRUCTION

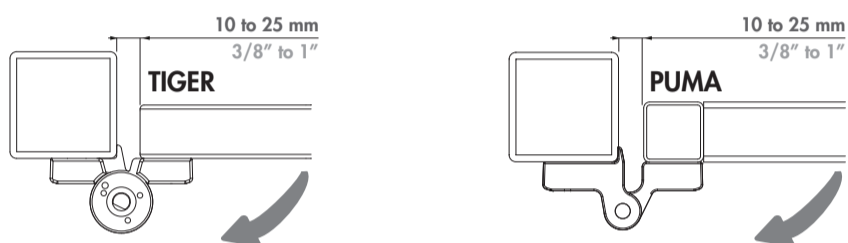
### ① Package content



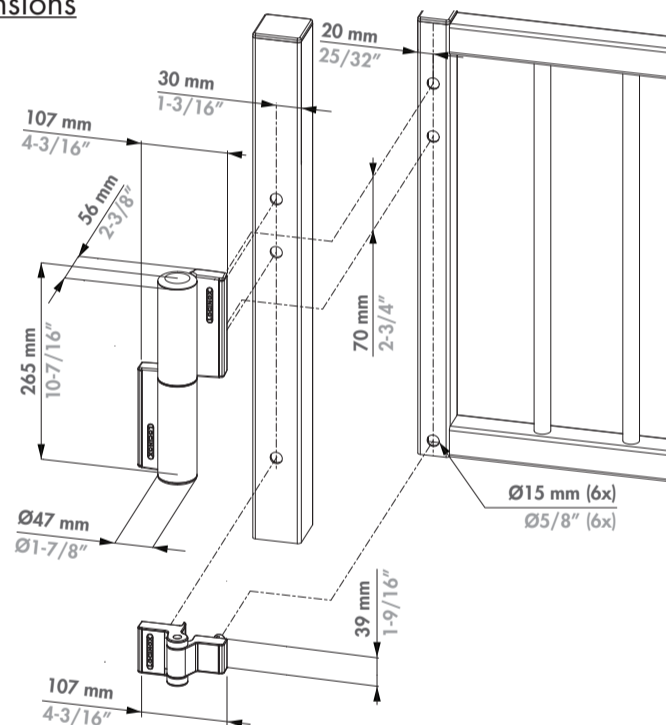
1	Tiger cover shields
2	Puma cover shields
3	Allen Keys (3 and 5 mm)
4	Puma hinge
5	Tiger gatecloser
6	Drilling Templates

### LEFT OPENING GATE

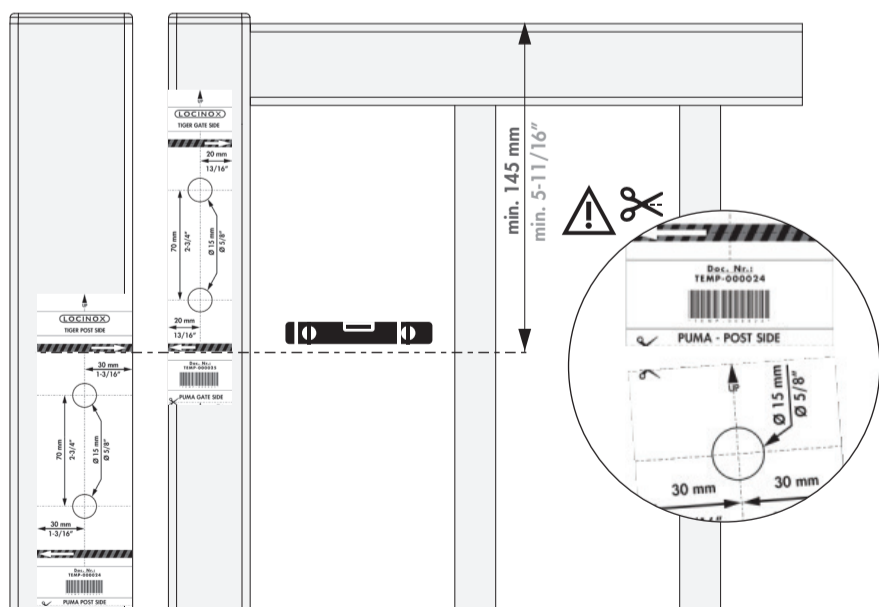
#### ② Mounting Situation



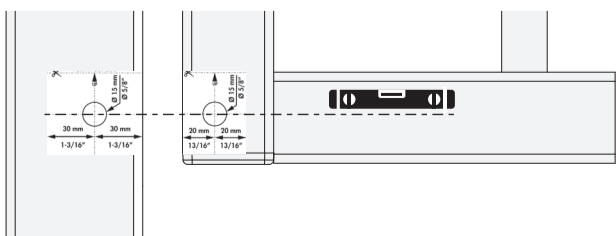
#### ③ Dimensions



#### ④ Profile and gate preparation for TIGER gatecloser



#### ⑤ Profile and gate preparation for PUMA hinge

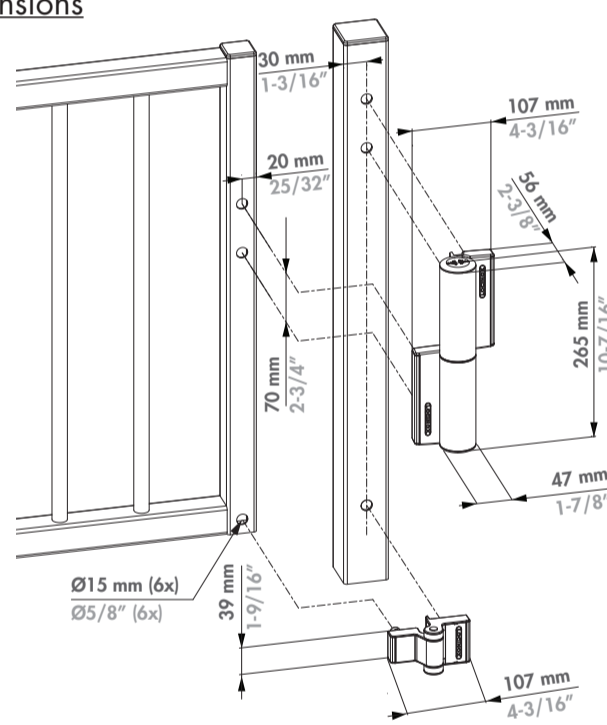


### RIGHT OPENING GATE

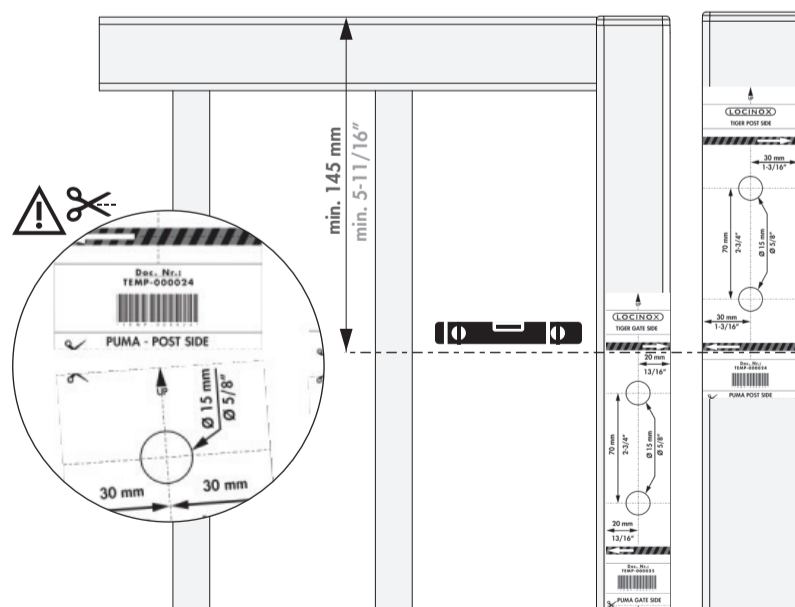
#### ② Mounting Situation



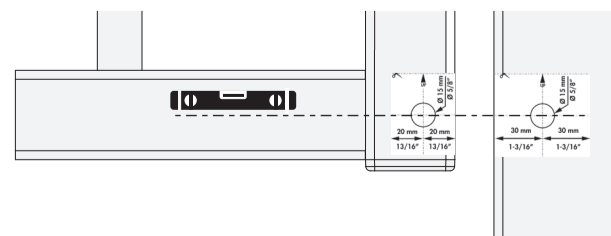
#### ③ Dimensions



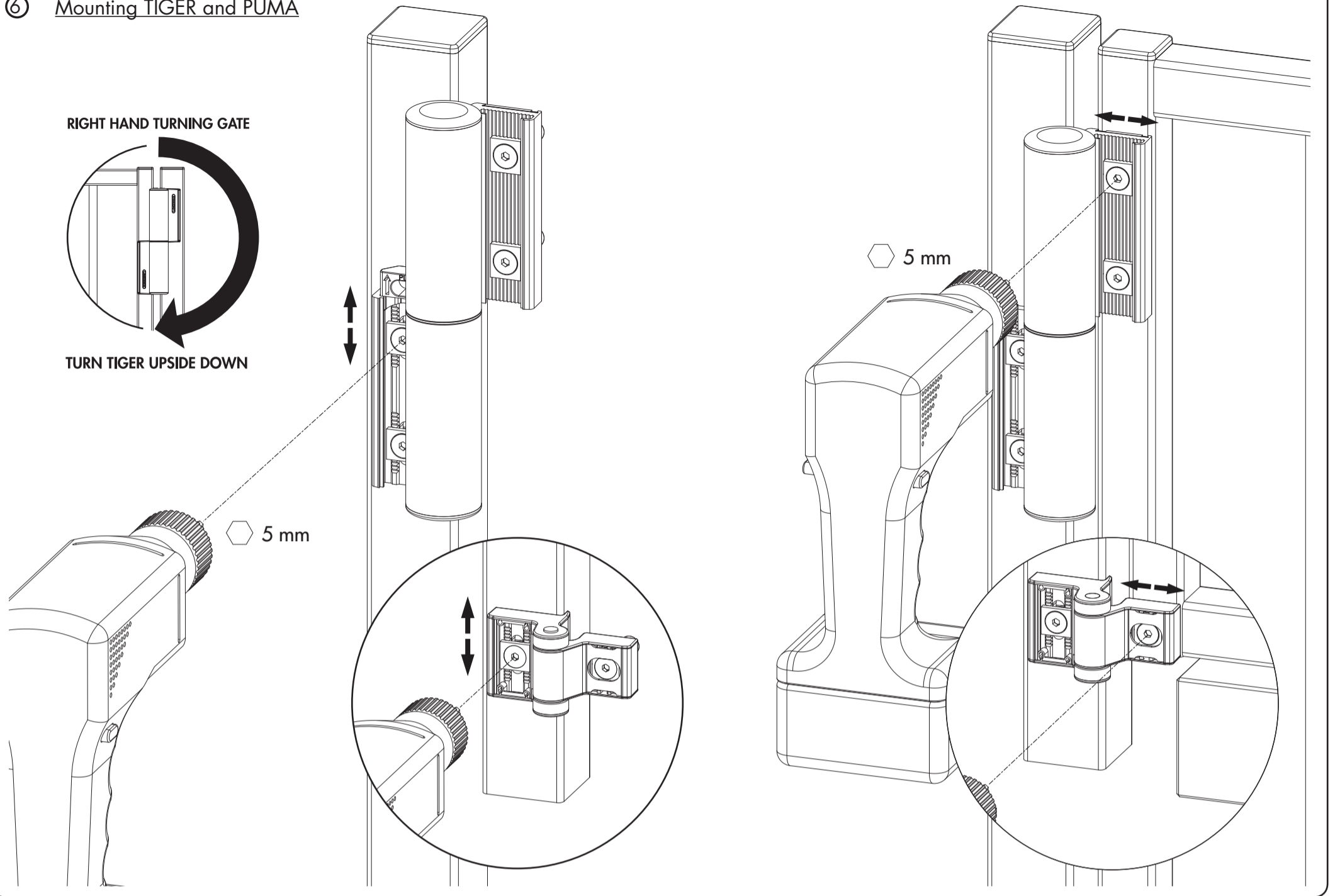
#### ④ Profile and gate preparation for TIGER gatecloser



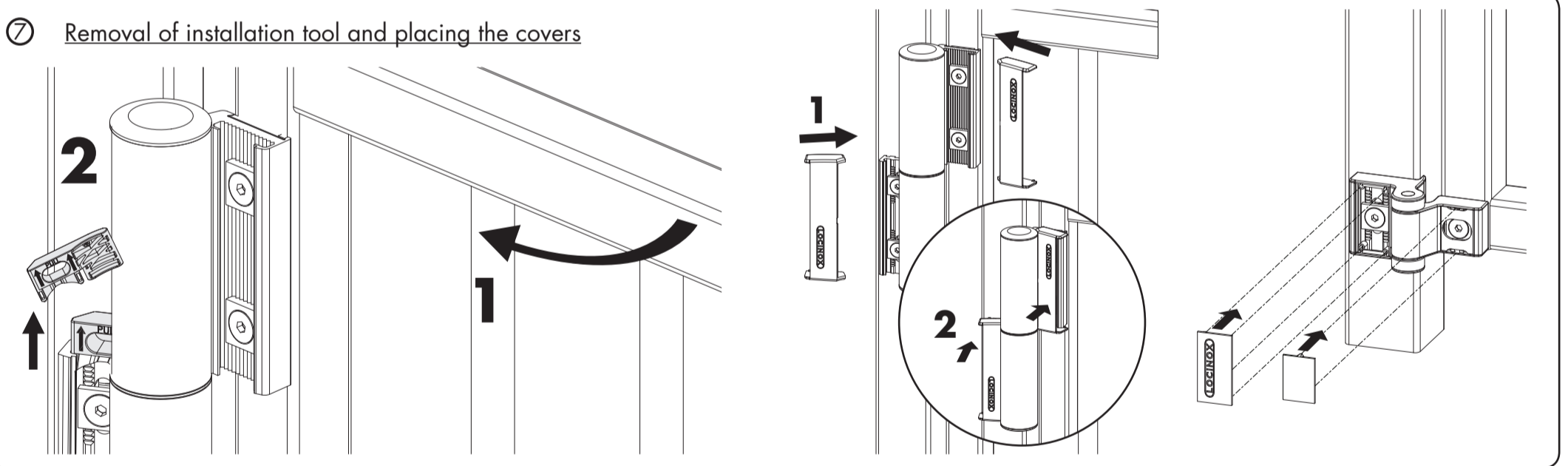
#### ⑤ Profile and gate preparation for PUMA hinge



⑥ Mounting TIGER and PUMA



⑦ Removal of installation tool and placing the covers



⑧ Adjusting

