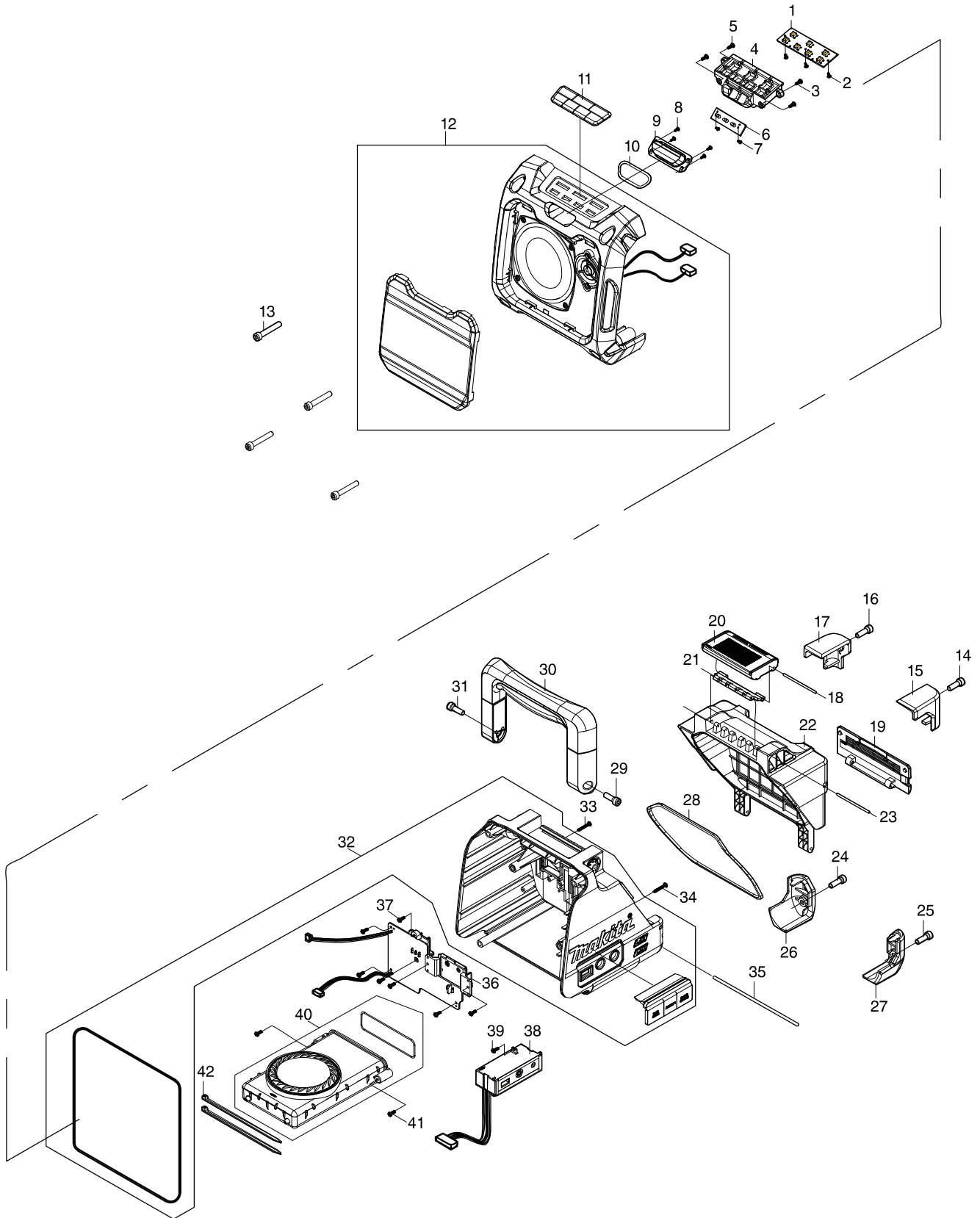


# Numéro du modèle DMR200 CORDLESS JOB SITE SPEAKER



| Position | Référence pièce | Description                    | Echelle | QTE | N/O | Option 1 | Option 2 | COMMENTAIRE |
|----------|-----------------|--------------------------------|---------|-----|-----|----------|----------|-------------|
| 001      | SE00000519      | PCB B ASS'Y(KEY BOARD) 07BB3A1 |         | 1   |     |          |          |             |
| 002      | SE00000520      | SCREW PTPW 2X6(NI) 29S15106002 |         | 3   |     |          |          |             |
| 003      | SE00000521      | SCREW PTB 3X8(ZK) 29S16308001  |         | 2   |     |          |          |             |
| 004      | SE00000522      | RUBBER KEY HOLDER 2000B300100  |         | 1   |     |          |          |             |
| 005      | SE00000521      | SCREW PTB 3X8(ZK) 29S16308001  |         | 2   |     |          |          |             |
| 006      | SE00000523      | PCB A LED ASS'Y 09DB3A1        |         | 1   |     |          |          |             |
| 007      | SE00000520      | SCREW PTPW 2X6(NI) 29S15106002 |         | 2   |     |          |          |             |
| 008      | SE00000520      | SCREW PTPW 2X6(NI) 29S15106002 |         | 4   |     |          |          |             |
| 009      | SE00000524      | LED LENS 3290B30000010         |         | 1   |     |          |          |             |
| 010      | SE00000525      | LED LENS PACKING 2400B300500   |         | 1   |     |          |          |             |
| 011      | SE00000526      | RUBBER KEY 3100B30000010       |         | 1   |     |          |          |             |
| 012      | SE00000527      | FRONT CABINET ASS'Y-BLUE 01FB3 |         | 1   |     |          |          |             |
| C10      | SE00000529      | SPEAKER GRILL 3230B30000010    |         | 1   |     |          |          |             |
| 013      | SE00000530      | SCREW PTHE 6X37(CR) 29S1793701 |         | 4   |     |          |          |             |
| 014      | SE09176166      | HEX SCREW M6X16                |         | 1   |     | P1       |          |             |
| 015      | SE00000531      | BATTERY BUMPER R 3163B30000010 |         | 1   |     |          |          |             |
| 016      | SE09176166      | HEX SCREW M6X16                |         | 1   |     | P1       |          |             |
| 017      | SE00000532      | BATTERY BUMPER L 3162B30000010 |         | 1   |     |          |          |             |
| 018      | SE00000533      | PIN D2X88 2100B300100          |         | 1   |     |          |          |             |
| 019      | SE00000534      | PHONE COVER ASS'Y 011B3A5      |         | 1   |     |          |          |             |
| 020      | SE00000535      | LOCKER COVER 3121B30000010     |         | 1   |     |          |          |             |
| 021      | SE00000536      | LOCKER HINGE 3300B30000010     |         | 1   |     |          |          |             |
| 022      | SE00000537      | BATTERY COVER (BLUE) 3120B3000 |         | 1   |     |          |          |             |
| 023      | SE00000539      | PIN D2X77 2100B300200          |         | 1   |     |          |          |             |
| 024      | SE09176166      | HEX SCREW M6X16                |         | 1   |     | P1       |          |             |
| 025      | SE09176166      | HEX SCREW M6X16                |         | 1   |     | P1       |          |             |
| 026      | SE00000540      | REAR BUMPER L 3160B30000010    |         | 1   |     |          |          |             |
| 027      | SE00000541      | REAR BUMPER R 3161B30000010    |         | 1   |     |          |          |             |
| 028      | SE00000542      | BATTERY PACKING 2400B300200    |         | 1   |     |          |          |             |
| 029      | SE09176166      | HEX SCREW M6X16                |         | 1   |     | P1       |          |             |
| 030      | SE00000543      | HANDLE ASS'Y-BLUE 01HB3A1      |         | 1   |     |          |          |             |
| 031      | SE09176166      | HEX SCREW M6X16                |         | 1   |     | P1       |          |             |
| 032      | SE00000545      | REAR ASS'Y BLUE 01RB3A1        |         | 1   |     |          |          |             |
| C10      | SE00000547      | JACK RUBBER COVER 3126B3000001 |         | 1   |     |          |          |             |
| C20      | SE024PC040      | PACKING                        |         | 1   |     | P2       |          |             |
| 033      | SE00000548      | SCREW PTB 3X20(ZK) 29S09990047 |         | 1   |     |          |          |             |
| 034      | SE00000548      | SCREW PTB 3X20(ZK) 29S09990047 |         | 1   |     |          |          |             |
| 035      | SE00000549      | BATTERY COVER FIXER PIN 2100b3 |         | 1   |     |          |          |             |
| 036      | SE00000552      | PCB A ASS'Y OTHERS 07AB3A3     |         | 1   |     |          |          |             |
| 037      | SE00000521      | SCREW PTB 3X8(ZK) 29S16308001  |         | 7   |     |          |          |             |
| 038      | SE00000553      | JACK HOLDER ASS'Y-BLUE 011B3A1 |         | 1   |     |          |          |             |
| 039      | SE00000521      | SCREW PTB 3X8(ZK) 29S16308001  |         | 1   |     |          |          |             |
| 040      | SE00000555      | MOBILE-PHONE-CASE ASS'Y 011B3A |         | 1   |     |          |          |             |
| C10      | SE00000556      | PHONE CASE PACKING 2400B300400 |         | 1   |     |          |          |             |
| 041      | SE00000557      | SCREW PTPW 3X10(ZK) 29S1531000 |         | 2   |     |          |          |             |
| 042      | SE00000195      | W/TIES 100MM                   |         | 2   |     | P1       |          |             |
| A01      | SE00000501      | AC ADAPTER (CE) 3A8A12C133B11  |         | 1   |     |          |          |             |
|          |                 |                                |         |     |     |          |          |             |