



GRUPE  
TRENOIS



# Écrous à sertir en aveugle SFM-R

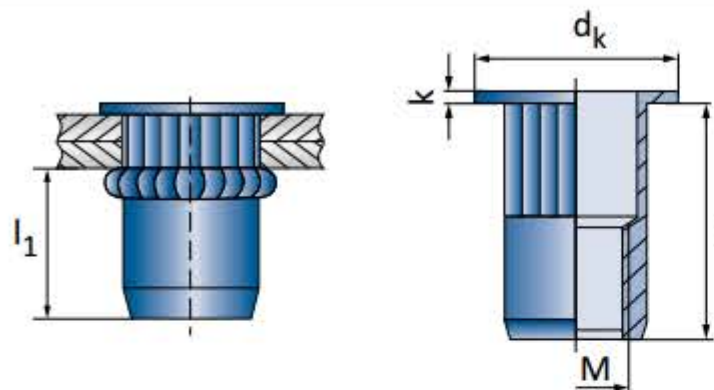
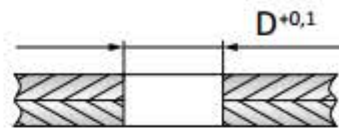
## Série 10.842



2<sup>3</sup>

acier

tête plate <  
cylindrique <  
ouvert <  
cranté <



C4C [1.0303]

M		I	N°	
<b>M4</b>	0,5 - 2,5	9,5	10.842.040.250	500
	2,5 - 4,5	13,8	10.842.040.450	500
<b>D 6,0</b>	<b>k 0,8</b>	<b>dk 9,0</b>	<b>l<sub>1</sub> max. 8,0</b>	<b>↕ 5000 N</b>
<b>M5</b>	0,5 - 3,0	12,0	10.842.050.300	500
	2,5 - 5,0	15,0	10.842.050.500	500
<b>D 7,0</b>	<b>k 1,0</b>	<b>dk 10,0</b>	<b>l<sub>1</sub> max. 9,0</b>	<b>↕ 9000 N</b>
<b>M6</b>	0,5 - 3,0	14,5	10.842.060.300	500
	3,5 - 5,5	19,0	10.842.060.550	500
<b>D 9,0</b>	<b>k 1,5</b>	<b>dk 13,0</b>	<b>l<sub>1</sub> max. 11,0</b>	<b>↕ 13500 N</b>

NEW

NEW

M		I	N°	
<b>M8</b>	0,5 - 3,0	16,0	10.842.080.300	250
	3,0 - 5,5	18,5	10.842.080.550	250
<b>D 11,0</b>	<b>k 1,5</b>	<b>dk 16,0</b>	<b>l<sub>1</sub> max. 13,5</b>	<b>↕ 20000 N</b>
<b>M10</b>	1,0 - 3,0	22,5	10.842.100.300	250
	3,0 - 4,5	24,0	10.842.100.450	250
<b>D 13,0</b>	<b>k 2,0</b>	<b>dk 19,0</b>	<b>l<sub>1</sub> max. 16,5</b>	<b>↕ 28000 N</b>
<b>M12</b>	1,0 - 4,0	27,0	10.842.120.400	100
<b>D 16,0</b>	<b>k 2,0</b>	<b>dk 23,0</b>	<b>l<sub>1</sub> max. 18,5</b>	<b>↕ 45000 N</b>

NEW

NEW

SFM