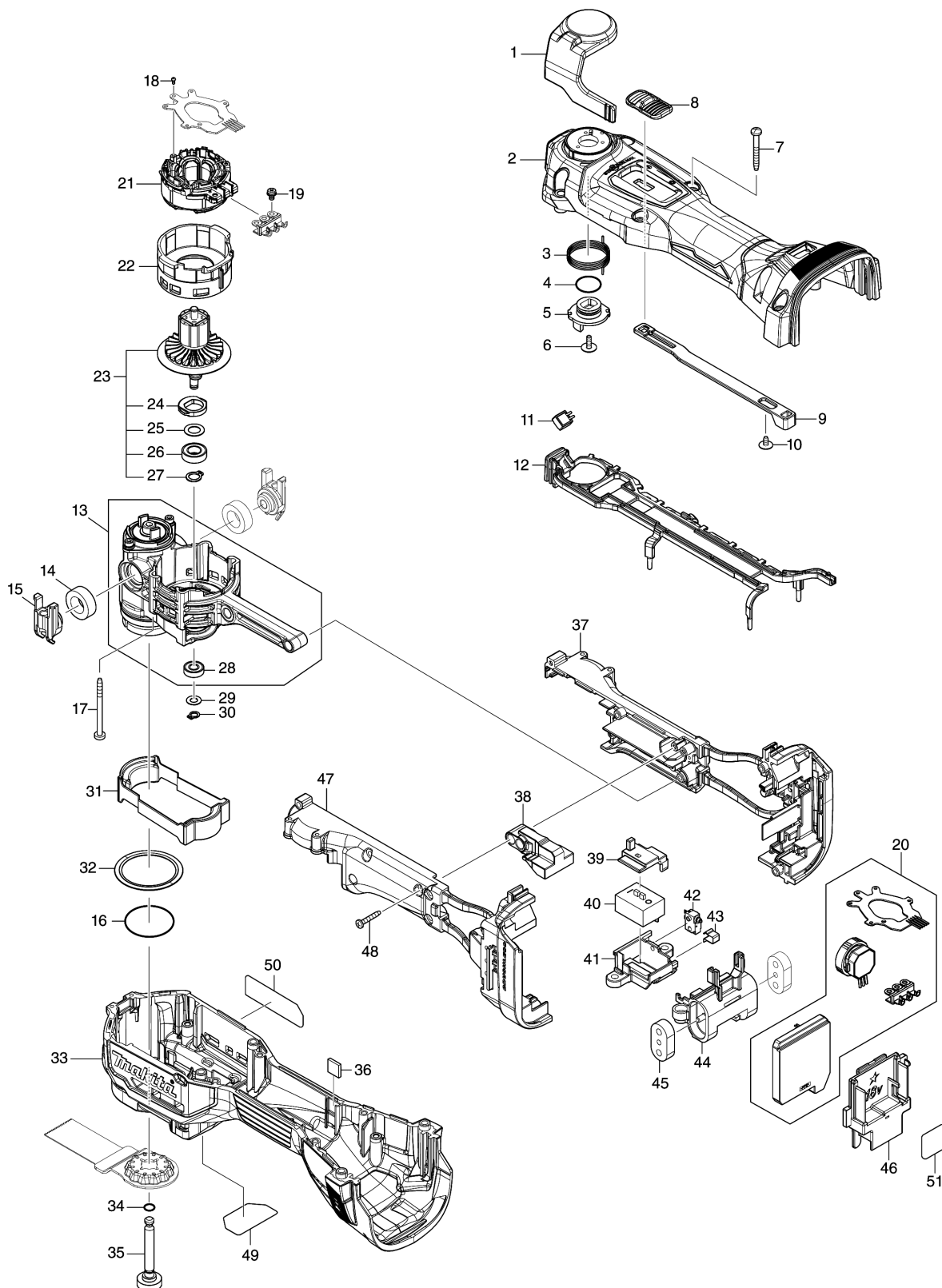




Model No.DTM52 CORDLESS MULTI TOOL



Model No.DTM52 CORDLESS MULTI TOOL

Position	Référence pièce	Description	Echange	QTE	New/Old	Option 1	Option 2	COMMENTAIRE
001	140Y95-2	LEVER COMPLETE		1				
C10	263032-0	TIGE EN CAOUTCHOUC 4		1		0	P1	
002	183S78-3	HOUSING SET		1				
D10		INC. 33,36						
003	232680-6	TORSION SPRING 25		1				
004	213070-2	O RING 10 HR3000C		1		0	P1	
005	313364-6	DRIVER B		1				
006	265B82-3	P.H.SCREW M3X10 WITH WR		1				
007	266351-3	VIS 4X35		8		0	P1	
008	413395-6	SWITCH KNOB		1				
009	413396-4	SWITCH LEVER A		1				
010	265B81-5	TAPPING SCREW FLANGE 3X6		1				
011	620E79-1	LED CIRCUIT		1				
012	413400-9	LED GUIDE		1				
013	136394-8	CRANK HOUSING ASSY		1	*			
D10		INC. 28			*			
013-1	136529-1	CRANK HOUSING ASS'Y	<	1				
D10		INC. 28						
014	422677-5	CUSHION F		2				
015	413401-7	CUSSION SUPPORT F		2				
016	213497-6	O RING 31.5		1		0	P1	
017	266327-0	VIS		4		0	P1	
018	266490-9	VIS PT 2X6		3			P1	
019	652069-6	VIS M3X6		3			P1	
020	620E78-3	CONTROLLER		1				
021	629A56-6	STATOR		1				
022	413394-8	MOTOR HOUSING		1				
023	519683-0	ROTOR ASSY		1				
D10		INC. 24-27						
024	313361-2	BALANCER		1				
025	253777-8	RONDELLE 8		1		65	P2	
026	210249-6	BALL BEARING 688LLU		1				
027	961004-6	CIRCLIP MOD S EXT 8		1		65	P2	
028	210039-7	ROULEMENT A BILLES 695DDW		1				
029	253811-4	RONDELLE PLATE 5		1		0	P3	
030	961008-8	ANNEAU ELASTIQUE		1		0	P1	
031	422721-8	CAP		1				
032	422682-2	RUBBER RING 35		1				
033	183S78-3	HOUSING SET		1				
D10		INC. 2,36						
034	213032-0	O RING 4		1		0	P1	
035	327769-4	HOLDER BOLT		1				
036	422679-1	CUSHION M		2				
037	183S69-4	INNER HOUSING SET		1				

Please order the parts with part number.

Print Date 24/5/2021

Model No.DTM52 CORDLESS MULTI TOOL

Position	Référence pièce	Description	Echange	QTE	New/Old	Option 1	Option 2	COMMENTAIRE
D10		INC. 47						
038	313365-4	WEIGHT		1				
039	413397-2	SWITCH LEVER B		1				
040	650000-6	SWITCH BSW-1125A-17		1				
041	413398-0	SWITCH BASE		1				
042	632S34-5	SWITCH UNIT		1				
043	232706-4	LEAF SPRING		1				
044	413399-8	SWITCH COVER		1				
045	422678-3	CUSHION R		2				
046	643874-2	TERMINAL		1			P5	
047	183S69-4	INNER HOUSING SET		1				
D10		INC. 37						
048	265935-4	VIS AUTOFOREUSE 3X20		8		0	P1	
049	8032F3-5	INDICATION LABEL		1				
050	811E24-9	DTM52 NAME PLATE		1				
051	811E32-0	DTM52 SERIAL NO. LABEL		1				
A01B	191R02-6	DUST ATTACHMENT SET		1				
A01C	191R02-6	DUST ATTACHMENT SET		1				
A02B	***DC18RC	DC18RC FAST CHARGER		1			A42	
D10		COMPO-PARTS						
A02C	***DC18RC	DC18RC FAST CHARGER		1			A42	
D10		COMPO-PARTS						
A03B	450128-8	BATTERY COVER		1		0	P1	
A03C	450128-8	BATTERY COVER		1		0	P1	
A04B	197280-8	BATTERIE BL1850B 18V 5A		2			A45	
A04C	197280-8	BATTERIE BL1850B 18V 5A		2			A45	
A05	821551-8	COFFRET MAKPAC3		1		4	A30	
C10	453974-8	LOQUET		4		0	P1	
A06	835W93-4	INNER TRAY		1				
A07A	8032M4-2	DTM52ZJ INDICATION LABEL		1				
A07B	8032N3-1	DTM52RTJX1 INDICATION LABEL		1				
A07C	8032P1-9	DTM52RTJX2 INDICATION LABEL		1				
A08A	8032M5-0	DTM52ZJ PLASTIC CASE LABEL		2				
A08B	8032N4-9	DTM52RTJX1 PLASTIC CASE LABEL		2				
A08C	8032P2-7	DTM52RTJX2 PLASTIC CASE LABEL		2				
A09B	821852-4	TOOL BOX		1				
C10	413608-5	SLIDE LATCH		1				
A09C	821852-4	TOOL BOX		1				
C10	413608-5	SLIDE LATCH		1				
A10B	B-64814	STARLOCK CUTSAW 32 TMA047 BIM		1				
A10C	B-64814	STARLOCK CUTSAW 32 TMA047 BIM		1				
A11B	B-64799	STARLOCK SEGMENTSAW 85 TMA045		1				

Please order the parts with part number.

Print Date 24/5/2021

Model No.DTM52 CORDLESS MULTI TOOL

Position	Référence pièce	Description	Echange	QTE	New/Old	Option 1	Option 2	COMMENTAIRE
A11C	B-64799	STARLOCK SEGMENTSAW 85 TMA045		1				
A12B	B-64939	STARLOCK CUTSAW 32 TMA059 BIM		1				
A12C	B-64836	STARLOCK SEGMENTSAW 85 TMA049		1				
A13B	B-66400	BOW SHAPE PLUNGE CUT SAWBLADE		1				
A13C	B-64917	STARLOCK CUTSAW 10 TMA057 BIM		1	*			
A13-1C	B-64917	STARLOCK CUTSAW 10 TMA057 BIM	O	1				
A14B	B-21624	TRIANGLE ABRASIF BOIS 60G		1		2	A8	
A14C	B-64923	STARLOCK CUTSAW 20 TMA058 BIM		1	*			
A14-1C	B-64923	STARLOCK CUTSAW 20 TMA058 BIM	O	1				
A15B	B-22947	TRIANGLE ABRASIF BOIS 100G		1		2	A8	
A15C	B-64939	STARLOCK CUTSAW 32 TMA059 BIM		1				
A16B	B-22953	TRIANGLE ABRASIF BOIS 150G		1		2	A8	
A16C	B-64995	STARLOCK SCRAPERFLEXIBLE TMA66		1				
A17B	B-65115	STARLOCK SANDING PAD 93 TMA078		1				
A17C	B-65028	STARLOCK SEGMENTSAW 85 TMA069		1				
A18C	B-65040	STARLOCK SEGMENTSAW 70 TMA071		1				
A19C	B-66400	BOW SHAPE PLUNGE CUT SAWBLADE		1				
A20C	B-66416	BOW SHAPE PLUNGE CUT SAWBLADE		1				
A21C	B-66472	JOINT CUTTER BLADE/ SEALING		1				
A22C	B-22953	TRIANGLE ABRASIF BOIS 150G		1		2	A8	
A23C	B-65115	STARLOCK SANDING PAD 93 TMA078		1				

Please order the parts with part number.

Print Date 24/5/2021