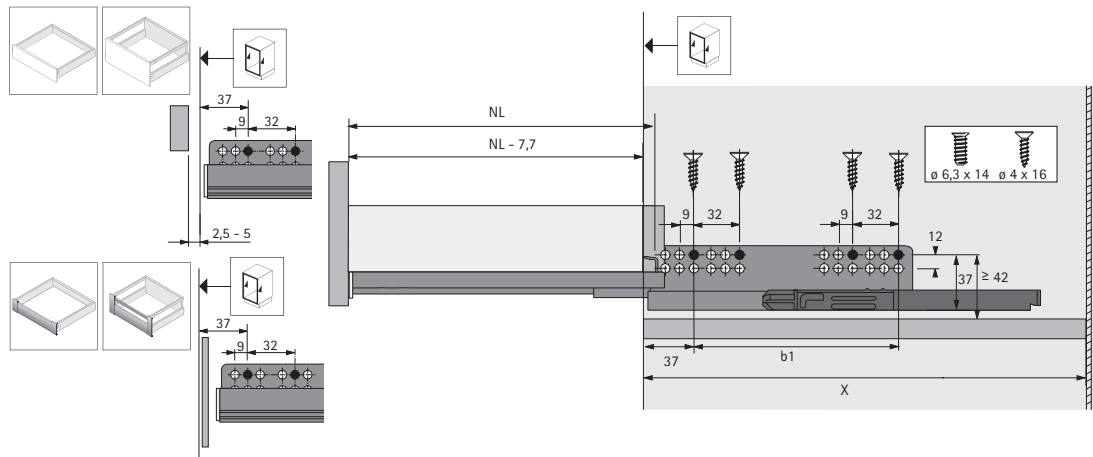


# InnoTech / InnoTech Atira

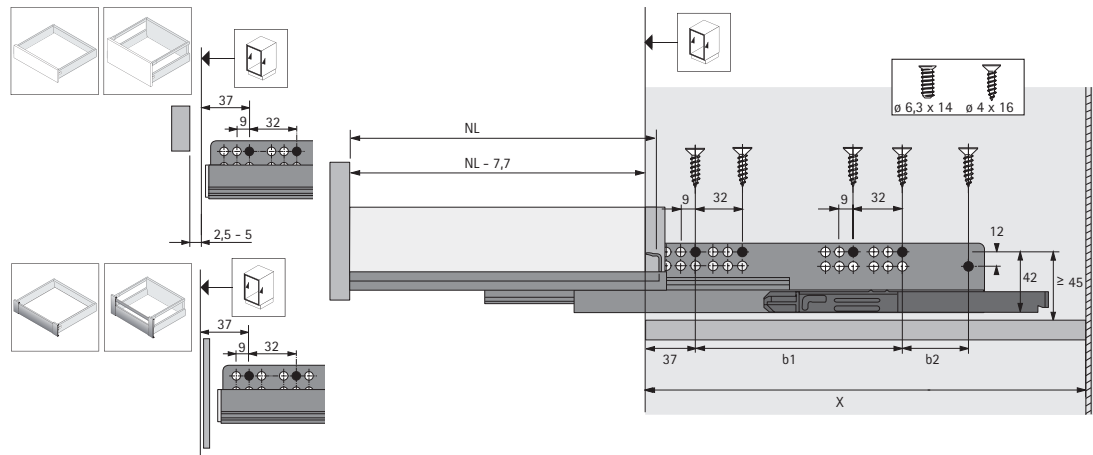
## Quadro V6 / Quadro V6+ Push to open silent

### Quadro V6



NL mm	b1 mm	X mm	X mm
260	160	279	288
300	160	315	324
350	160	365	374
420	224	435	444
470	256	485	494
520	256	535	544

### Quadro V6+



NL mm	b1 mm	b2 mm	X mm	X mm
300	160		315	324
350	192		365	374
420	224		435	444
470	256		485	494
520	256		535	544
620	352	64	635	644